



**Audi Coupe**  
(1988-1991)



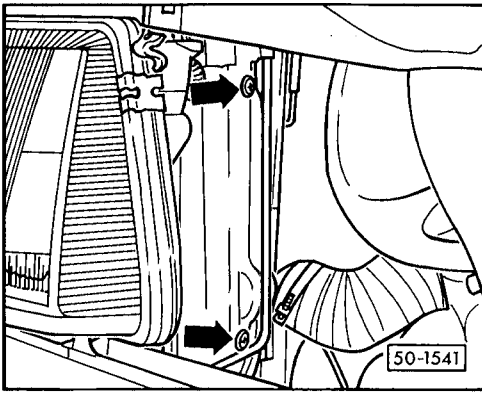
**General Body Repairs**

I N D E X

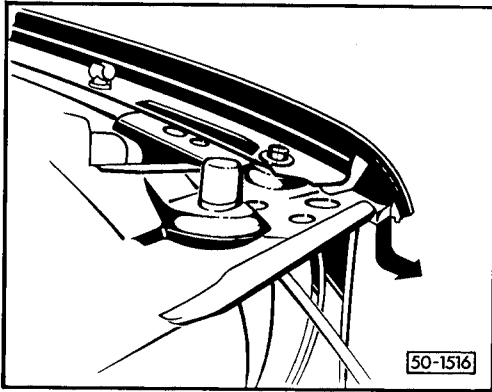
| 00 | Materials  | Page  |
|----|--|-------|
|    | Adhesives  | 00-1  |
|    | Sealants   | 00-6  |
|    | Locking materials                                      | 00-10 |
|    | Surface protection materials                           | 00-10 |
|    | Chemical materials for body repairs/maintenance        | 00-11 |
|    |  |       |
| 50 | Body, front  | Page  |
|    | Removing and installing apron                          | 50-1  |
|    | Removing and installing front wing                     | 50-6  |
|    |  |       |
| 55 | Bonnet, boot lid, tailgate                             | Page  |
|    | Bonnet - Lock pins and Cd seal                         | 55-1  |
|    | - Removing bonnet                                      | 55-3  |
|    | - Installing and adjusting bonnet                      | 55-4  |
|    | - Renewing gas-filled strut for bonnet                 | 55-5  |
|    | - Removing and installing Bowden cable for bonnet      | 55-7  |
|    | Removing and installing tailgate                       | 55-8  |
|    | - Adjusting tailgate                                   | 55-10 |
|    | - Renewing gas-filled strut for tailgate               | 55-11 |
|    | Servicing lock on boot lid                             | 55-12 |
|    |  |       |
| 57 | Doors  | Page  |
|    | Servicing door shell                                   | 57-1  |
|    | Servicing window lifter                                | 57-4  |
|    | Adjusting door - Adjustment sequence                   | 57-7  |
|    | Servicing door lock with actuating elements            | 57-11 |
|    | Removing door handle                                   | 57-16 |
|    | Servicing central locking system                       | 57-19 |
|    |  |       |
| 60 | Sliding/tilting roof                                   | Page  |
|    | Servicing sliding/tilting roof                         | 60-1  |
|    | Servicing sliding/tilting roof panel                   | 60-3  |
|    | - Removing and installing sliding/tilting roof panel   | 60-5  |
|    | - Removing and installing cable drive                  | 60-8  |
|    | - Checking and adjusting zero position (motor)         | 60-9  |
|    | - Removing rear guide from guide plate                 | 60-10 |
|    | - Checking and adjusting zero position (guide plate)   | 60-10 |
|    | - Height adjustment at front                           | 60-12 |
|    | - Height adjustment at rear                            | 60-12 |
|    | Cleaning water drain hoses                             | 60-13 |
|    |  |       |
| 63 | Bumpers  | Page  |
|    | Removing and installing front bumper                   | 63-1  |
|    | Removing and installing rear bumper                    | 63-5  |
|    |  |       |
| 64 | Windows  | Page  |
|    | Removing and installing flush-bonded windows - General | 64-1  |
|    | Removing and installing windscreen                     | 64-5  |
|    | Removing and installing side window                    | 64-14 |

INDEX

| 66 | Exterior trim  | Page  |
|----|--|-------|
|    | Removing and installing radiator grille                    | 66-1  |
|    | Removing and installing wheel housing liner                | 66-2  |
|    | Renewing exterior rear-view mirror                         | 66-3  |
|    | - Installation position, driver's side                     | 66-3  |
|    | - Installation position, passenger's side                  | 66-4  |
|    | - Renewing mirror glass                                    | 66-5  |
|    | Removing and installing A-pillar trim                      | 66-6  |
|    | Removing and installing B-pillar trim                      | 66-8  |
|    | Removing and installing roof moulding                      | 66-10 |
|    | Removing and installing protective mouldings               | 66-12 |
|    | Removing and installing side member gap cover              | 66-13 |
|    | Removing and installing sill panel                         | 66-14 |
|    | Removing and installing trim panel for number plate        | 66-15 |
|    |  |       |
| 68 | Interior trim  | Page  |
|    | Seat belts - Anchorage points                              | 68-1  |
|    | - Removing and installing automatic seat belt, B-pillar    | 68-2  |
|    | - Removing and installing automatic seat belt, rear        | 68-3  |
|    | - Seat frame anchorage point                               | 68-4  |
|    | - Floor group anchorage point, outer                       | 68-4  |
|    | - Floor group anchorage point, centre                      | 68-5  |
|    | - Floor group anchorage point, centre - without retractor  | 68-5  |
|    | - Floor group anchorage point, centre - with retractor     | 68-6  |
|    | Removing and installing interior rear-view mirror          | 68-7  |
|    | - Bonding in retaining plate for interior rear-view mirror | 68-8  |
|    |  |       |
| 70 | Trim   | Page  |
|    | Removing and installing trim panel for door                | 70-1  |
|    | Removing and installing rear side trim panel               | 70-6  |
|    | Removing and installing A-pillar trim panel                | 70-8  |
|    | Removing and installing inner sill panel trim              | 70-9  |
|    | Removing and installing B-pillar trim panel                | 70-11 |
|    | Removing and installing C-pillar trim panel                | 70-13 |
|    | Removing and installing trim for belt reel bracket         | 70-14 |
|    | Removing and installing rear roof frame trim               | 70-15 |
|    | Removing and installing trim for rear end panel, top       | 70-16 |
|    | Removing and installing trim panels for tailgate           | 70-17 |
|    | Repairing instrument panel                                 | 70-18 |
|    | - Removing centre console                                  | 70-19 |
|    | - Instructions for fitting handbrake lever trim            | 70-20 |
|    | - Removing and installing instrument panel                 | 70-23 |
|    | - Removing centre section of instrument panel              | 70-27 |
|    | - Removing glove compartment                               | 70-29 |
|    |  |       |
| 72 | Rear seat  | Page  |
|    | Removing and installing rear seat bench                    | 72-1  |
|    | Removing and installing rear seat backrest                 | 72-1  |
|    | - Removing and installing upholstery at side               | 72-2  |
|    | - Removing and installing armrest for rear seat            | 72-2  |

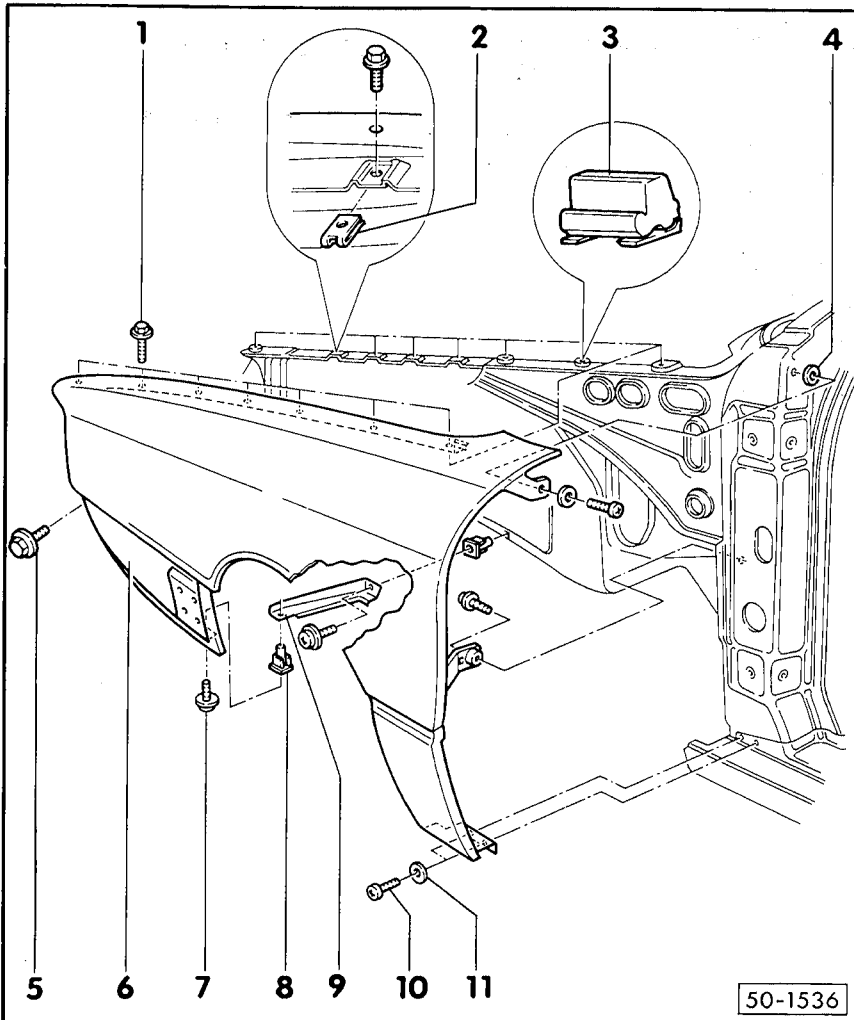


◀ - Unscrew air intake duct.



◀ - Pull sides of apron down and forwards below the wing.

50-5

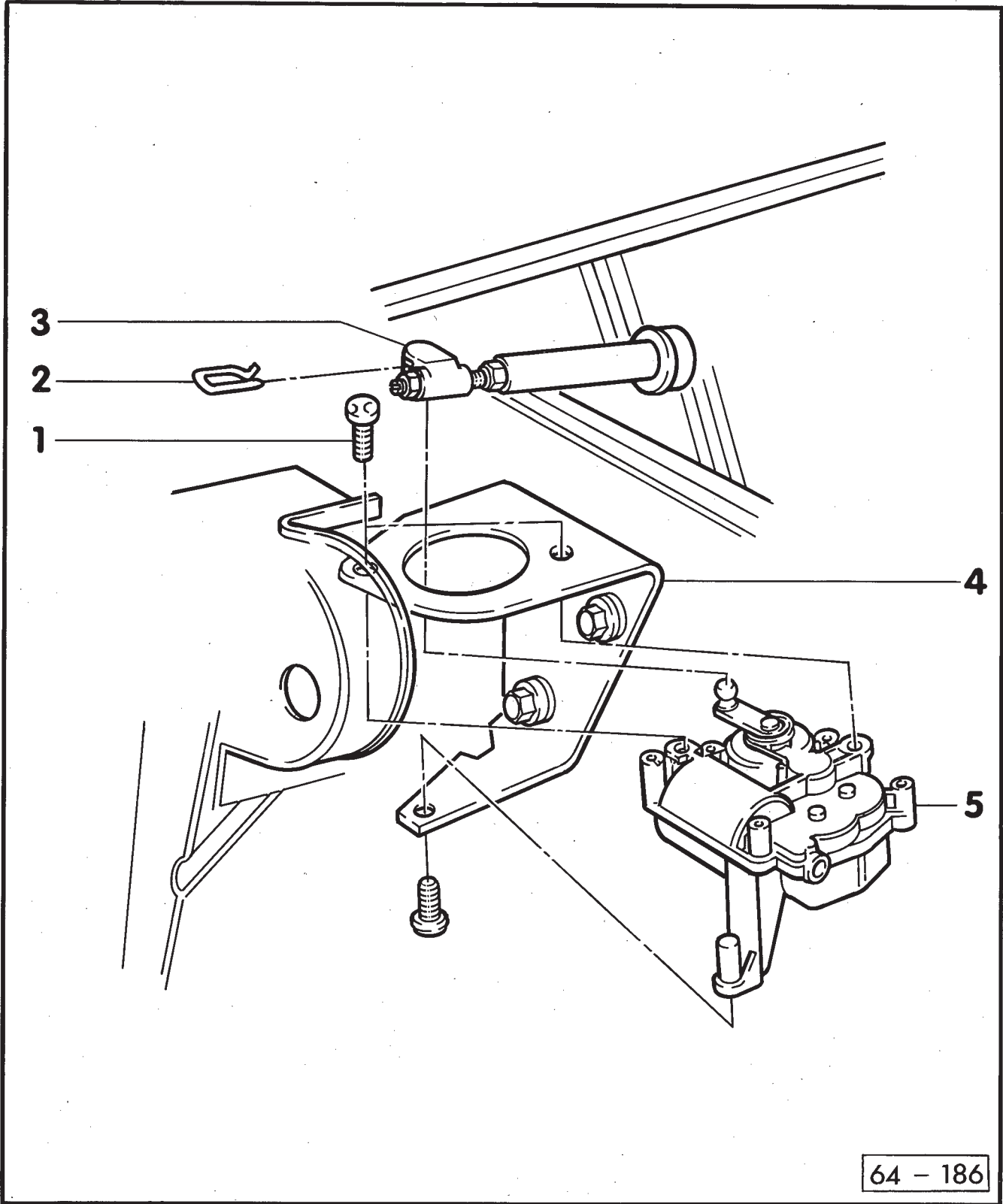


REMOVING AND INSTALLING FRONT MUDWING  
=====

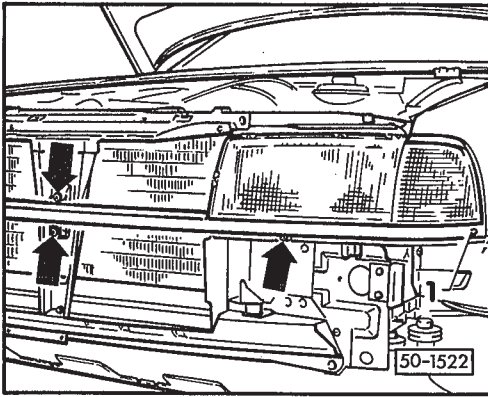
- Remove front bumper - Repair Group 63.
- Remove wheel housing liner - Repair Group 66.

- 1- Self-tapping screw with washer  
● 8 Nm
- 2- Snap nut
- 3- Seal
- 4- Sealing washer
- 5- Mudwing
- 6- Self-tapping screw with washer  
● 4 Nm
- 7- Speed nut
- 8- Mudwing retainer
- 9- Self-tapping screw  
● 8 Nm
- 10- Washer

50-6

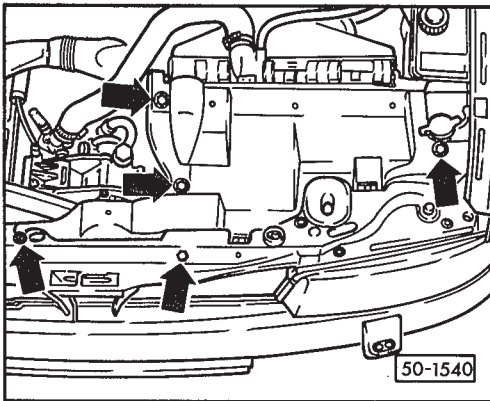


64 - 186



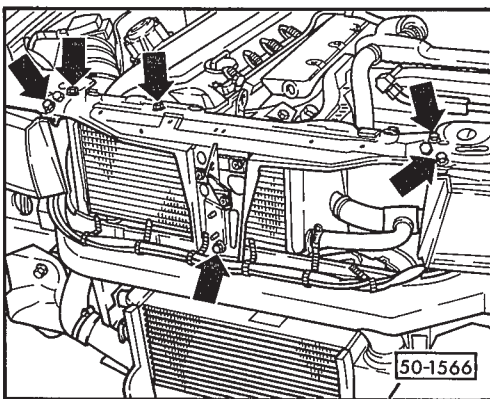
◄ Removing lock carrier support

- Remove bumper - Repair group 63.
- Detach Bowden cable - page 3.
- Detach trim and pull out of grommets -1- on both sides (left and right).

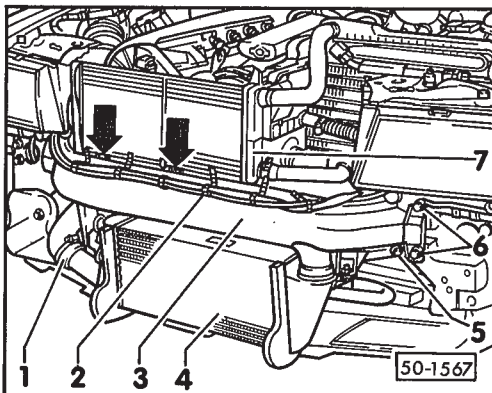


- ◄ - Detach cooling air cowling and radiator bracket.

4



- ◄ - Detach oil cooler mountings at the top.  
- Detach lock carrier support and remove.



◄ Removing lower cross member

- Release cable straps -2-.
- Slacken hose clips (6x) and detach lower hose -1- from intercooler.
- Unscrew screws -5- and -6- on both sides.
- Carefully push lower cross member -3- together with intercooler -4- and oil cooler -7- downwards, and slacken two nuts for lower oil cooler mountings (arrows).
- Disconnect upper hose from intercooler.
- Remove lower cross member with intercooler.

5