



**Volvo V50**  
(2012-2013)



**Wiring Diagrams and Electric Model Year 2013**



VOLVO S40 (04-), V50 2012 & C30, C70 (06-) 2013

## **WIRING DIAGRAM 2012/2013**



TP 39250202

# Table of Contents 1:3

Vehicles with SRS (Airbag)/SIPS bag/IC (Inflatable curtain).....	2
Electrical distribution 1:2.....	9

## Fuses

Distribution box in engine compartment F1-F10.....	11
Distribution box in engine compartment F11-F20.....	12
Distribution box in engine compartment F21-F31.....	13
Distribution box in engine compartment F32-F34.....	14
Distribution box in engine compartment F35-FH1.....	15
Main fuse box battery.....	16
Fuse holder midi.....	17
Central Electronic Module (CEM) F43-F48.....	18
Central Electronic Module (CEM) F49-F61.....	19
Central Electronic Module (CEM) F62-F69.....	20
Central Electronic Module (CEM) F73-F85.....	21
Central Electronic Module (CEM) F86.....	22
Battery PF1-PF2.....	23

## Relays

Ignition switch and relays.....	24
Distribution box in engine compartment R1-R14.....	25
Engine compartment.....	26
Central electronic module (CEM) R15-R18.....	27
Central electronic module (CEM) R1-R11B.....	28
Other relays.....	29

## Ground connections

Overview.....	30
31/3 - 31/10 cont.....	31
31/10 - 31/12.....	32
31/66 - 31/67.....	33
31/80 - 31/107.....	34
31/110 - 31/115.....	35
31/116 - 31/132.....	36
Grounded to chassis.....	37

## Control modules

Overview locations.....	38
Overview designations.....	39
Central electronic module (CEM) 1:2.....	40
Data communication, Low speed CAN 1:2.....	42
Data communication high speed CAN.....	44
Data communication MOST.....	45
Data communication, LIN 1:2.....	46
Ignition switch (SCU).....	48
Accessory electronic module (AEM).....	49

## Group 26 Cooling system

Cooling fan.....	50
------------------	----

## Group 27 Engine controls

Cruise control 4-Cyl.....	51
Cruise control 5-Cyl.....	52
Start/stop function.....	53

## Group 28 Ignition system/control system

Engine management system, 4-Cyl. 1.6l 1:2.....	54
Engine management system, 4-Cyl. 2.0l 1:2.....	56
Engine management system, 5-Cyl. Turbo 1:2.....	58
Engine management system Diesel, 4-Cyl. 1.6l D4162T 1:2.....	60
Engine management system Diesel, 5-Cyl. 2.0l 1:3....	62
Emission control 4-Cyl. 1.6l.....	65
Emission control 4-Cyl. 2.0l.....	66
Emission control 5-Cyl.....	67

## Group 32 Alternator and voltage regulator

Power supply 4-Cyl.....	68
Power supply 5-Cyl.....	69

## Group 33 Starting system

Starting system 4-Cyl.....	70
Starting system 5-Cyl.....	71

## Group 35 Lighting

High and low beam.....	72
Active headlight, (Dual Xenon).....	73
Running/Parking light, Tail lights S40/V50.....	74
Running/Parking light, Tail lights (Dual Xenon) S40/V50.....	75
Running/Parking lights, Tail lights C30/C70.....	76
Running/Parking lights, Tail lights (Dual Xenon) C30/C70.....	77
Brake lights S40/V50.....	78
Brake lights C30/C70.....	79
Reversing lights S40/V50.....	80
Reversing lights C30/C70.....	81
Fog lights S40/V50.....	82
Fog lights C30/C70.....	83
Fog lights RHD Japan S40/V50.....	84
Fog lights RHD Japan C30/C70.....	85
Interior lighting C30/S40/V50 1:2.....	86
Interior lighting C70 1:2.....	88
Follow-me-home lighting.....	90
Instrument and control illumination.....	91
Auxiliary lights.....	92

# Table of Contents 2:3

## Group 36 Additional electrical equipment

Direction indicator and Hazard warning flashers S40/V50 .....	93
Direction indicator and Hazard warning flashers (Dual Xenon) S40/V50 .....	94
Direction indicator and Hazard warning flashers C30/C70 .....	95
Direction indicator and Hazard warning flashers (Dual Xenon) C30/C70 .....	96
Wiper/washer windshield .....	97
Washer headlights .....	98
Wiper/washer rear window C30/V50 .....	99
Rain sensor .....	100
Parking assistance .....	101
Keyless vehicle C30/S40/V50 1:2 .....	102
Keyless vehicle C70 1:2 .....	104
Immobilizer/Steering column lock (SCL) .....	106
Horn .....	107
Anti-theft alarm C30 .....	108
Anti-theft alarm S40/V50 .....	109
Anti-theft alarm C70 .....	110
Alcohol lock .....	111
Accessory Electronic Module (AEM) C30 .....	112
Accessory Electronic Module (AEM), S40/V50/C70 .....	113

## Group 37 Wiring and fuses

12V outlet C30/S40/V50 .....	114
12V outlet, C70 .....	115
Diagnostics system .....	116
Cable harness towbar/tow hitch 4-pin S40/V50 .....	117
Cable harness towbar/tow hitch 4-pin C30 .....	118
Cable harness towbar/tow hitch 7-pin S40/V50 .....	119
Cable harness towbar/tow hitch 7-pin C30/C70 .....	120
Cable harness towbar/tow hitch 13-pin S40/V50/C70 .....	121
Cable harness towbar/tow hitch 13-pin C30 .....	122
Accessory USB unit (AUU) .....	123

## Group 38 Instruments

Driver information module .....	124
Seat belt reminder C30/S40/V50 .....	125
Seat belt reminder C70 .....	126

## Group 39 Other

Audio C30/S40/V50 .....	127
Alternative connection audio S40/V50 .....	128
Audio C70 .....	129
Audio High Performance/Premium Sound C30/S40/V50 1:2 .....	130

Audio High Performance/Premium Sound C70 1:2 ...	132
Cellular phone 1:2 .....	134
Multimedia & Traffic information .....	136
Satellite radio .....	137
Subwoofer C70 .....	138
Navigation system, portable .....	139
Bluetooth .....	140
Bluetooth Handsfree, internal amplifier .....	141
Bluetooth Handsfree, external amplifier .....	142
Bluetooth Handsfree & AUU, internal amplifier .....	143
Bluetooth Handsfree & AUU, external amplifier .....	144
Bluetooth Handsfree with AEM, internal amplifier, LHD .....	145
Bluetooth Handsfree with AEM, internal amplifier, RHD .....	146
Bluetooth Handsfree with AEM, external amplifier, LHD .....	147
Bluetooth Handsfree with AEM, external amplifier, RHD .....	148

## Group 43 Transmission

Automatic transmission AW55-51 .....	149
Automatic transmission AWF21 .....	150
Transmission M66 .....	151
Automatic transmission MPS6 .....	152

## Group 59 Brake system

Brake control system & STC .....	153
Brake control system & DSTC .....	154

## Group 64 Steering

Speed dependent power steering .....	155
--------------------------------------	-----

## Group 83 Doors and openings

Central locking front doors C30/S40/V50 .....	156
Central locking rear doors S40/V50 .....	157
Central locking C70 .....	158
Central locking trunk lid/tailgate C30 .....	159
Central locking trunk lid/tailgate S40/V50 .....	160
Central locking trunk lid/tailgate C70 .....	161
Central locking storage compartment C70 .....	162
Child safety lock S40/V50 .....	163
Central locking fuel filler flap .....	164
Signal receiver central locking C30/S40/V50 .....	165
Signal receiver central locking C70 .....	166
Power windows front doors C30/S40/V50 .....	167
Power windows C70 .....	168
Power windows rear doors S40/V50 .....	169
Power sunroof C30/S40/V50 .....	170
Power roof C70 .....	171

# Table of Contents 3:3

## Group 84 Exterior decorative elements, etc.

Power door mirrors C30/S40/V50.....	172
Power door mirrors C70.....	173
Heated door mirrors.....	174
Heated rear window.....	175
Blind spot information system.....	176

## Group 85 Interior equipment

Power driver's seat with memory function LHD S40/V50.....	177
Power driver's seat with memory function RHD S40/V50.....	178
Power driver's seat with memory function LHD C30/C70.....	179
Power driver's seat with memory function, RHD C30/C70.....	180
Power driver's seat LHD.....	181
Power driver's seat RHD.....	182
Power passenger seat LHD S40/V50.....	183
Power passenger seat RHD S40/V50.....	184
Heated seats.....	185

## Group 87 Climate control system

Climate control system, 4-Cyl. Gasoline 1:2.....	186
Climate control system, Diesel 1.6l 1:2.....	188
Climate control system, 5-Cyl. 1:2.....	190
Climate control system PTC-elements.....	192
Parking heater, auxiliary heater.....	193
Relay, electric engine heater.....	194
Electric engine heater Flexifuel.....	195

## Group 88 Internal equipment

Supplemental restraint system C30/S40/V50 1:2.....	196
Supplemental restraint system C70 1:2.....	198
Rear-view mirror with automatic dimming.....	200
Remote control garage opening.....	201

## Connectors ..... 202

## Branching points .....240

## Cable harness routing in vehicle

Engine harness, gasoline 4-Cyl.1.6l.....	252
--	-----

Engine harness, gasoline 4-Cyl.2.0l.....	252
Engine harness, gasoline 5-Cyl. Turbo.....	253
Engine harness, Diesel 1.6l.....	253
Harness engine, Diesel 2.0l.....	254
Engine compartment harness, 4-Cyl.....	255
Engine compartment harness, 5-Cyl.....	255
Harness dashboard, LHD.....	256
Harness Dashboard, RHD.....	256
Floor harness, C30 LHD.....	257
Floor harness, C30 RHD.....	258
Floor harness, S40 LHD.....	259
Floor harness, S40 RHD.....	260
Floor harness, V50 LHD.....	261
Floor harness, V50 RHD.....	262
Floor harness, C70 LHD.....	263
Floor harness, C70 RHD.....	264
Roof harness, C30.....	265
Roof harness, S40.....	265
Roof harness, V50.....	266
Roof harness, C70.....	266
Tunnel harness, C30/S40/V50.....	267
Tunnel harness, C70.....	267
Driver's door harness, C30.....	268
Passenger door harness, C30.....	268
Driver's door harness, S40/V50.....	269
Passenger door harness, S40/V50.....	269
Driver's door harness, C70.....	270
Driver's door harness supplement, C70.....	270
Passenger door harness, C70.....	271
Passenger door harness supplement, C70.....	271
Harness rear door, right S40/V50.....	272
Harness rear door, left S40/V50.....	272
Rear side panel harness, left C70.....	273
Rear side panel harness, right C70.....	273
Trunk lid/tailgate harness, C30.....	274
Trunk lid/tailgate harness, S40.....	274
Trunk lid/tailgate harness, V50.....	275
Trunk lid/tailgate harness, C70.....	275

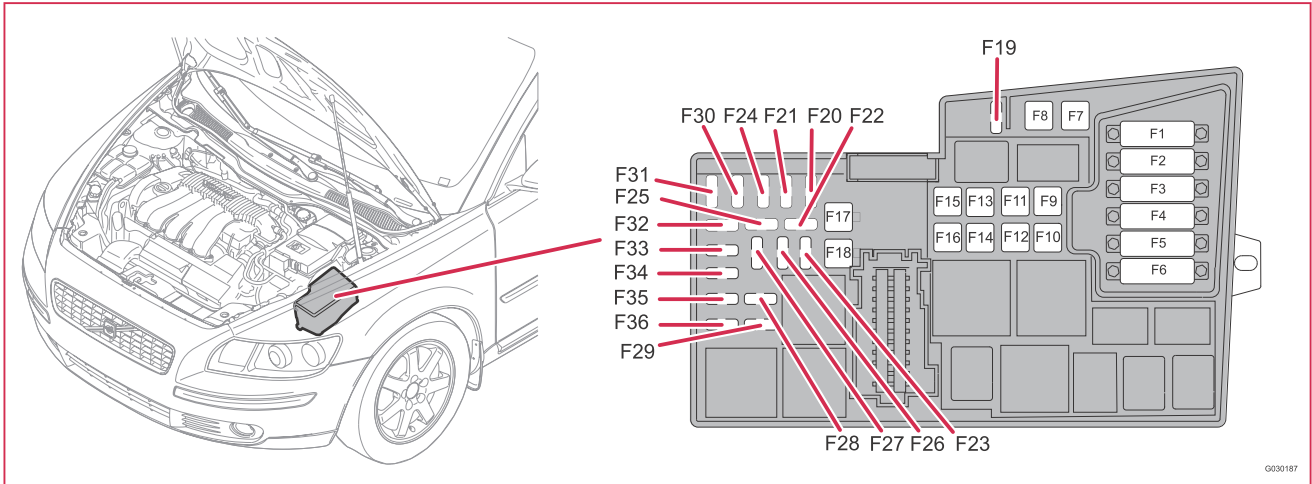
## Component illustrations .....276

## Index 1:2 .....331

## List of components 1:7 .....333

# Fuses

## Distribution box in engine compartment F32-F34

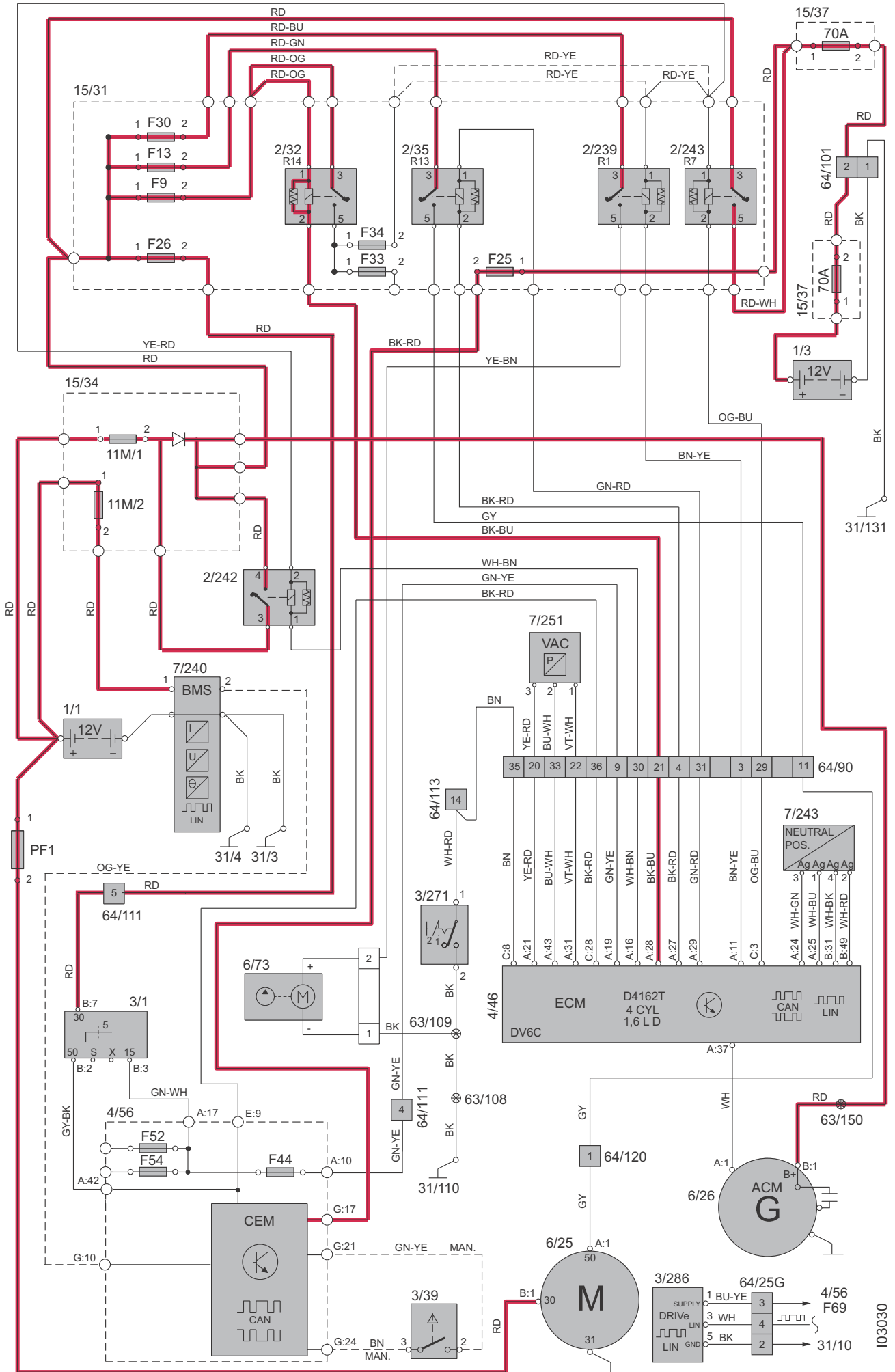


### 15/31 Distribution box in engine compartment

No.	Fuse function	via	A
F32	2/14 Relay, glow plug system 6/143 Regulator motor, Turbo 7/15 Front heated oxygen sensor, 4-Cyl. 7/17 Mass air flow sensor (MAF), 5-Cyl. Diesel 7/82 Rear heated oxygen sensor, 4-Cyl. 8/6-8/10 Injection valves, 5-Cyl. 8/11 Control valve fuel flow	- - - - - -	10
F33	2/133 Relay vacuum pump 4/46 Engine Control Module (ECM), 5-Cyl. Diesel 6/114 Vacuum pump, 5-Cyl. 7/15 Front heated oxygen sensor, 5-Cyl. 7/82 Rear heated oxygen sensor, 5-Cyl. Turbo 8/84 Switch, vacuum pump 9/38 Heated fuel filter, 4-Cyl. Diesel	- - 2/133 - - - -	20
F34	2/35 Relay starter motor, 1.6l Diesel 2/242 Battery relay, 1.6l Diesel 2/243 Secondary battery relay, 1.6l Diesel 2/239 Relay coolant pump, 1.6l Diesel 4/46 Engine control module (ECM), 1.6l Diesel 4/109 Glow plug control module (GCU), 5-Cyl. 7/15 Front heated oxygen sensor 4-Cyl. 8/6-8/9 Injection valves, 1.6l. 8/111 Fuel flow control valve, 1.6l Diesel 8/119 Pressure monitor, climate control system, 5-Cyl. 8/120 EGR valve, 5-Cyl. Diesel 8/133 Control valve fuel pressure 20/3 -20/7 Spark plug and ignition coil 20/17 Transformer, ignition coils, 1.6l.	2/247 - - - 2/247 - - - - - - - -	10
continues			

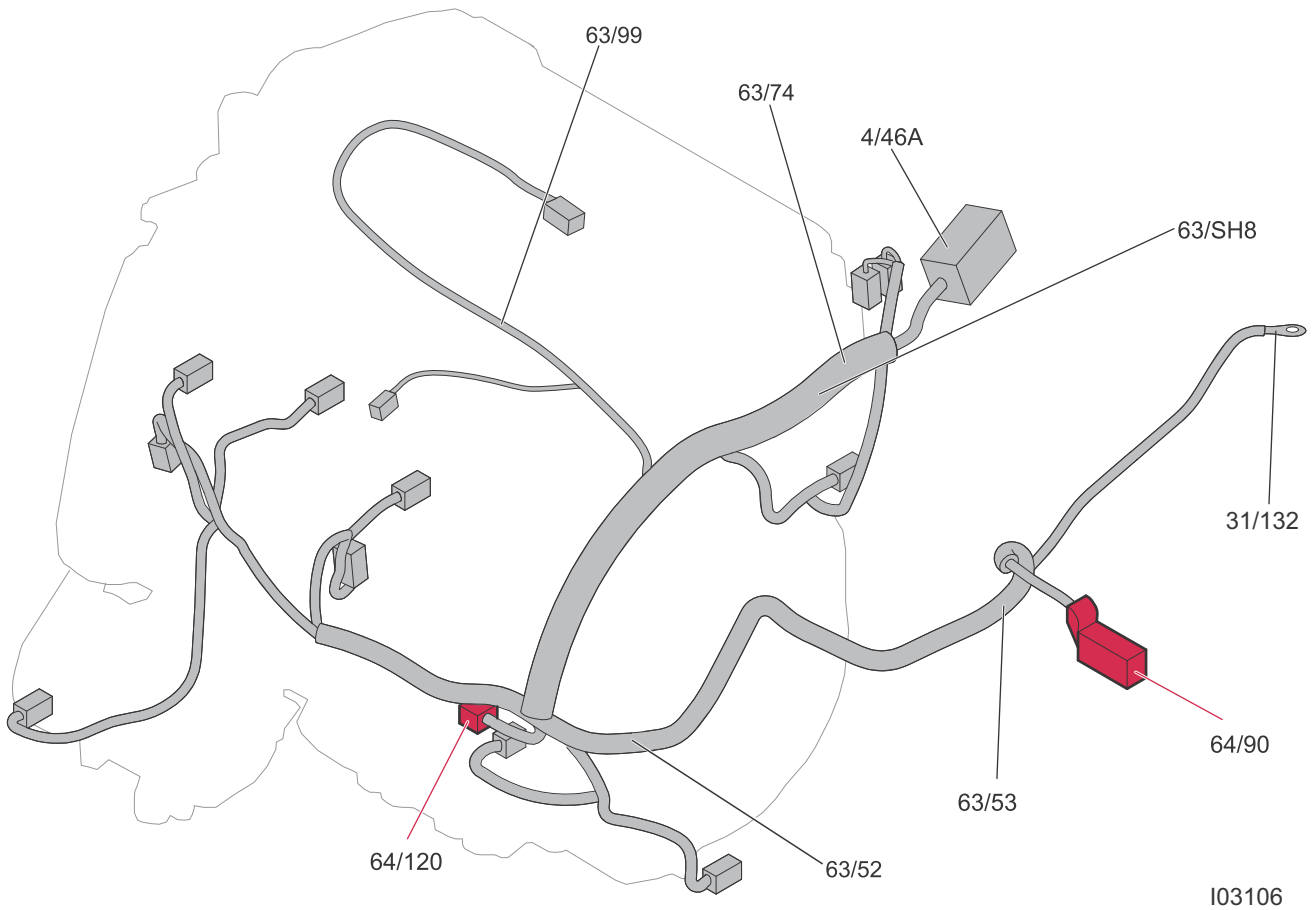
# Group 27 Engine controls

## Start/stop function





**Cable harness routing in vehicle**  
**Engine harness, gasoline 4-Cyl.1.6l**



**Cable harness routing in vehicle**  
**Engine harness, gasoline 4-Cyl.2.0l**

