



Volvo V50
(2005-2006)



Wiring Diagrams and Electric Model Year 2006

VOLVO
for life



VOLVO
WIRING DIAGRAM S40 (04-)/V50

TP 3990202
2006

Table of Contents 1:3

Vehicles with SRS (Airbag)/SIPS bag/ IC (Inflatable Curtain).....	2
How to use the wiring diagrams 1:2.....	6
Abbreviations.....	8
Electrical distribution 1:2.....	9

Fuses

Engine compartment distribution box F1-F11.....	11
Engine compartment distribution box F12-F22.....	12
Engine compartment distribution box F23-F33.....	13
Engine compartment distribution box F34-FH1	14
Central Electronic Module (CEM) F43-F49.....	15
Central Electronic Module (CEM) F51-F63.....	16
Central Electronic Module (CEM) F64-F77.....	17
Central Electronic Module (CEM) F77-F86.....	18
Battery PF1-PF2.....	19

Relays

Ignition switch and relays.....	20
Distribution box in engine compartment R1-R14	21
Central Electronic Module (CEM) R15-R18.....	22
Relays - soldered.....	23

Ground connections

Overview.....	24
31/3 - 31/10	25
31/11 - 31/66	26
31/67 - 31/84	27
31/88 - 31/114	28
31/115 - Ground connections in chassis.....	29

Control modules

Overview of locations.....	30
Overview of designations.....	31
Central Electronic Module 1:2	32
Data communication, Low speed CAN 1:2	34
Data communication, High speed CAN	36
Data communication, MOST	37
Data communication, LIN 1:2	38
Start Control Module (SCU)	40
Accessory Electronic Module (AEM)	41

Group 23 Fuel system

Engine management system, 4-cyl. 1.6l 1:2.....	42
Engine management system, 4-cyl. 1.8l 1:2.....	44
Engine management system, 5-cyl. 1:2.....	46
Engine management system, 5-cyl. Turbo 1:2	48
Engine management system, Diesel 1.6 1:2	50
Engine management system, Diesel 2.0 1:2	52
Emission control, 4-cyl. 1.8l	54
Emission control, 5-cyl.....	55
Emission control, 5-cyl. Turbo.....	56

Group 26 Cooling system

Cooling fan.....	57
Cooling fan, Diesel.....	58

Group 27 Engine control

Cruise control, 4-cyl.	59
Cruise control, 5-cyl.	60

Group 32 Alternator and voltage regulator

Power supply, 4-cyl.....	61
Power supply, 5-cyl.....	62

Group 33 Starting system

Starting system, 4-cyl.....	63
Starting system, 5-cyl.....	64

Group 35 Lighting

High and low beam	65
High and low beam (Bi-Xenon)	66
Manual beam length adjustment.....	67
Automatic beam length adjustment (Bi-Xenon)	68
Position/Parking lights, Tail lights	69
Position/Parking lights, Tail lights (Bi-Xenon)	70
Fog lights	71
Fog lights LHD, Japan	72
Brake lights	73
Reversing lights	74
Follow-me-home lighting.....	75
Interior lighting 1:2	76
Instrument and control illumination	78
Auxiliary lights.....	79

Table of Contents 2:3

Group 36 Additional electrical equipment

Direction indicators and hazard warning flashers	80
Group 36 Additional electrical equipment.....	81
Direction indicators and hazard warning flashers (Bi-Xenon)	81
Windshield wiper/washer.....	82
Headlight washer.....	83
Wiper/washer, rear window	84
Rain sensor.....	85
Horn	86
Immobilizer/Steering column lock module (SCL)	87
Keyless vehicle 1:2.....	88
Rear parking assistance	90
Front parking assistance.....	91
Anti-theft alarm	92
Accessory Electronic Module (AEM)	93

Group 37 Wiring and fuses

Diagnostics system.....	94
12V outlet	95
Tow hitch cable harness, 4-pin	96
Tow hitch cable harness, 7-pin	97
Tow hitch cable harness, 13-pin	98

Group 38 Instruments

Seat belt reminder	99
Driver information module.....	100

Group 39 Other

Multimedia & Traffic information	101
Turn by Turn navigation, Low level audio	102
Turn by Turn navigation, Audio	103
Low level audio 1:2	104
Audio 1:2	106
Cellular phone 1:2	108
Subwoofer	110
Handsfree Universal, Low level audio	111
Handsfree Universal	112
Handsfree Max with Adapter	113
Handsfree Max	114

Group 43 Transmission

Automatic transmission AW55-51.....	115
Transmission M66	116
Differential Electronic Module (DEM).....	117

Group 59 Brake system

Brake control system	118
Brake control system & STC.....	119
Brake control system & DSTC	120

Group 64 Steering

Electronic power steering.....	121
--------------------------------	-----

Group 83 Doors and openings

Central locking, front doors.....	122
Central locking, rear doors.....	123
Central locking, trunk lid/tailgate	124
Child safety lock.....	125
Central locking, fuel filler flap	126
Signal receiver, remote-control, central locking	127
Power windows, front doors.....	128
Power windows, rear doors.....	129
Power sunroof.....	130

Group 84 Exterior decorative elements, etc.

Power door mirrors	131
Heated door mirrors	132
Heated rear window	133

Group 85 Interior equipment

Power driver's seat with memory function, LHD	134
Power driver's seat with memory function, RHD	135
Power driver's seat	136
Power passenger seat	137
Heated seats.....	138

Group 87 Climate control system

Climate control system, PTC element	139
Climate control system, 4-cyl., Gasoline 1:2.....	140
Climate control system, 5-cyl. 1:2.....	142
Climate control system, Diesel 1:2.....	144
Parking heater, auxiliary heater	146
Relay, electric engine heater	147

Group 88 Internal equipment

Supplemental Restraint System Module (SRS) 1:2...	148
Auto-dimming rearview mirror	150

Table of Contents 3:3

Connectors	151
-------------------------	------------

Branching points	174
-------------------------------	------------

Cable harness routing in vehicle

Engine harness, 4-cyl. 1.6l	183
Engine harness, 4-cyl. 1.8l	183
Engine harness, Gasoline 5-cyl.....	184
Engine harness, Gasoline, 5-cyl., Turbo.....	184
Engine harness, Diesel 1.6l.....	185
Engine harness, Diesel 2,0l.....	185
Engine compartment harness, 4-cyl.	186
Engine compartment harness, 5-cyl. & Turbo	186
Engine harness, Diesel.....	187
Dashboard harness, LHD	188
Dashboard harness, RHD.....	188
Floor harness, S40, LHD	189
Floor harness, S40, RHD.....	190
Floor harness, V50, LHD	191
Floor harness, V50, RHD.....	192
Roof harness, S40	193
Roof harness, V50	193
Tunnel harness	194
Driver's door harness.....	195
Passenger door harness.....	195
Rear right door harness	196
Left rear door harness	196
Trunk lid harness, S40.....	197
Tailgate harness, V50.....	197

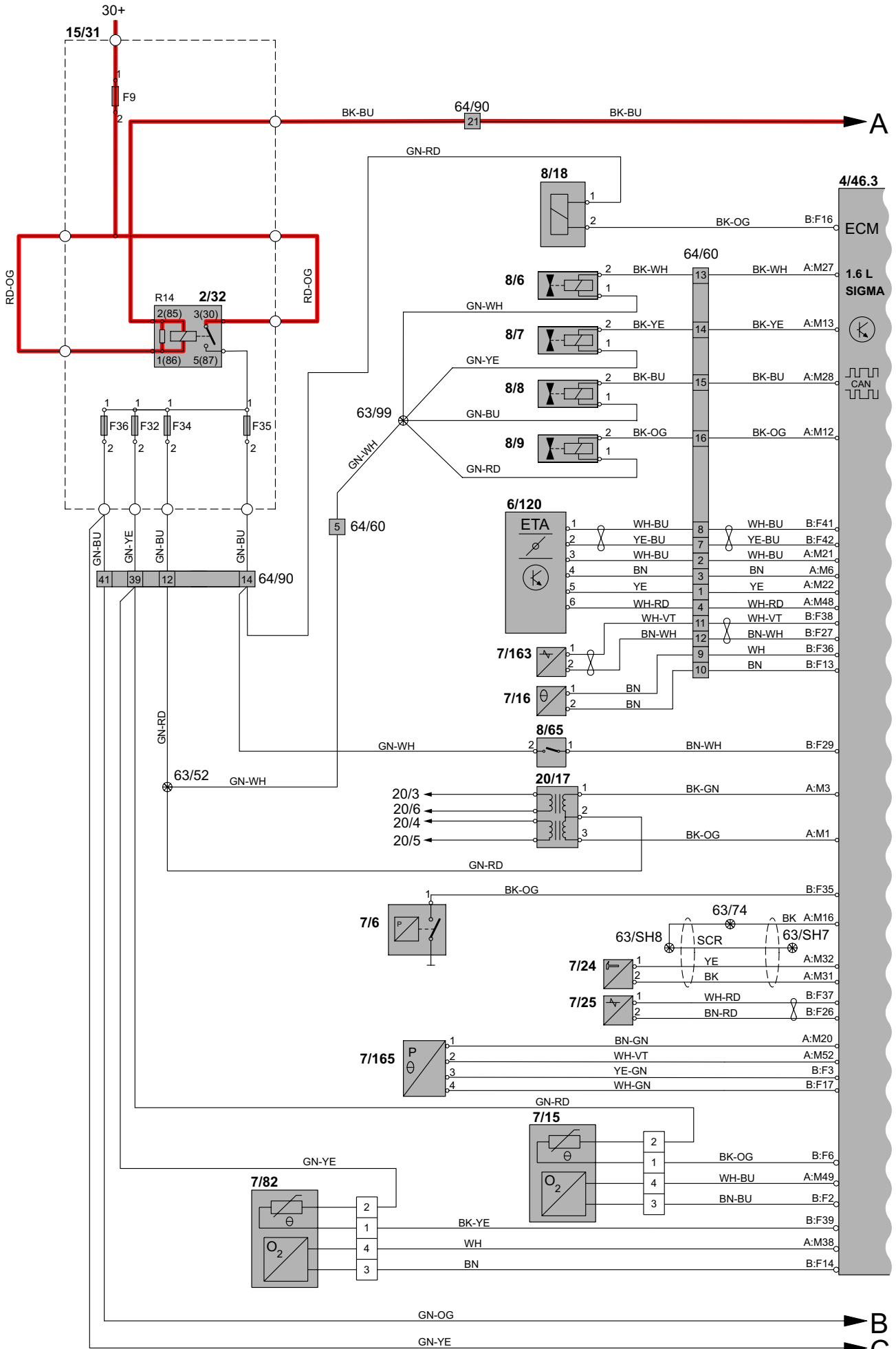
Component illustrations	198
--------------------------------------	------------

Index 1:2.....	244
-----------------------	------------

List of components 1:6	246
-------------------------------------	------------

Group 23 Fuel system

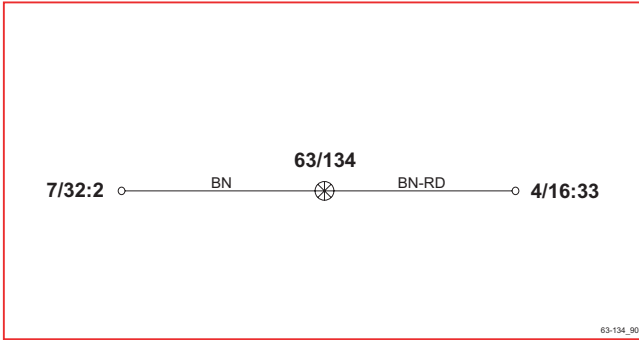
Engine management system, 4-cyl. 1.6l 1:2



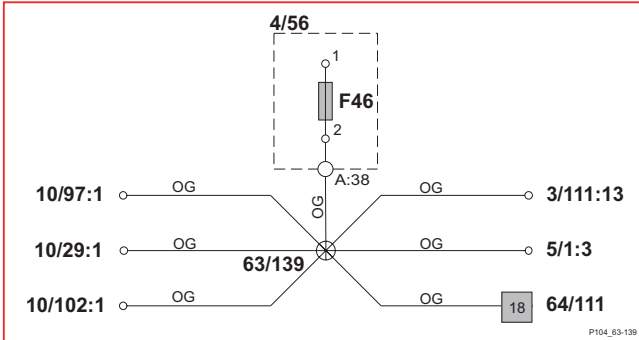
Branching points

63/134 - 63/196

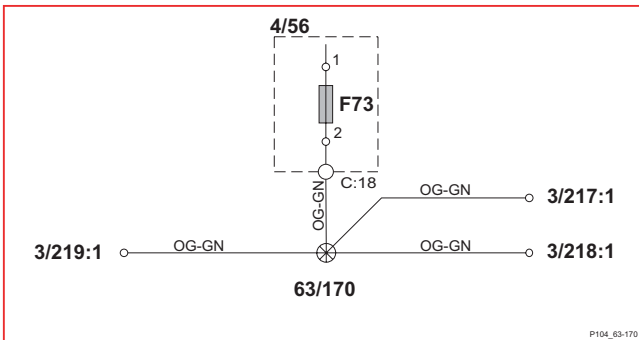
63/134



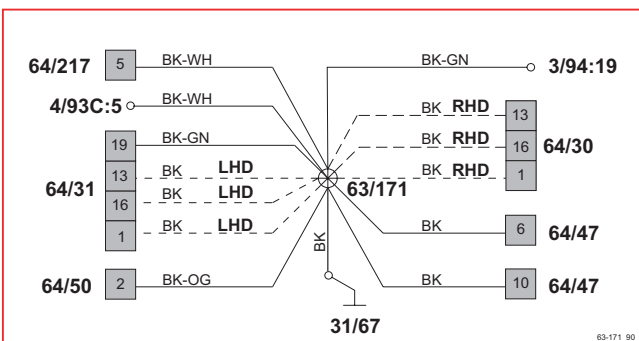
63/139



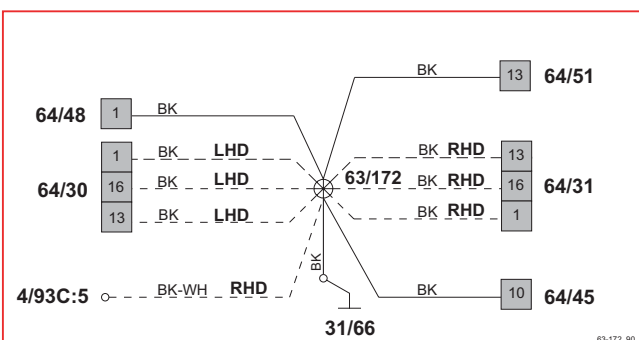
63/170



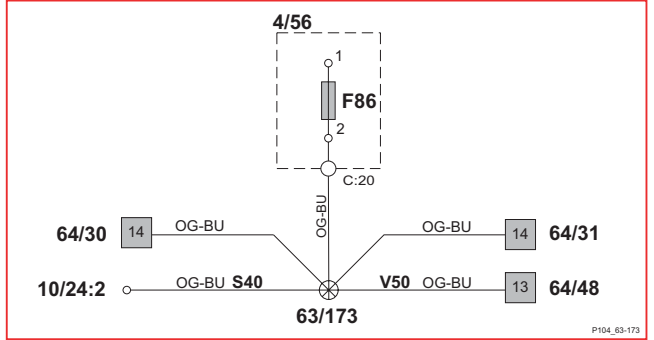
63/171



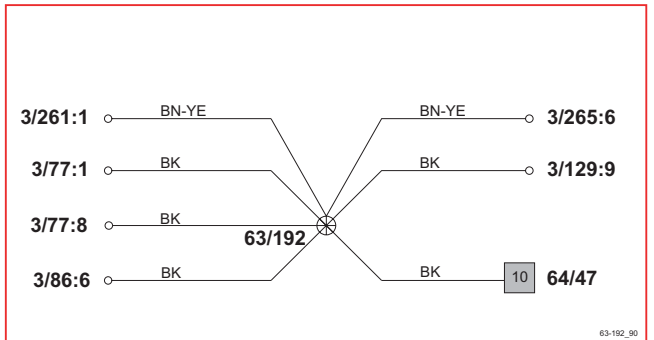
63/172



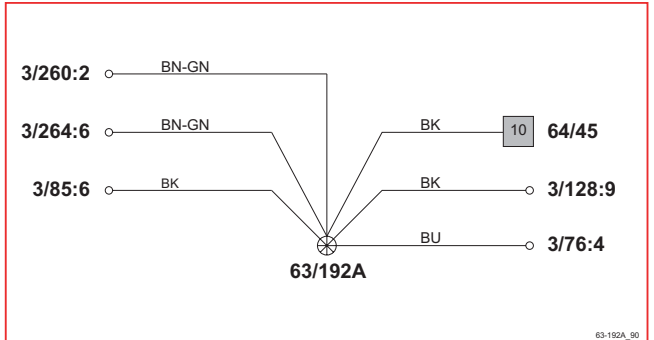
63/173



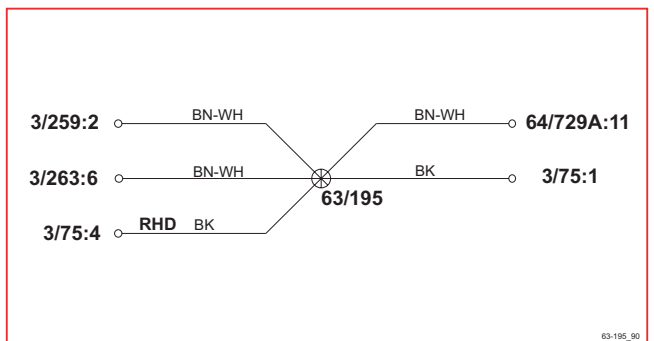
63/192



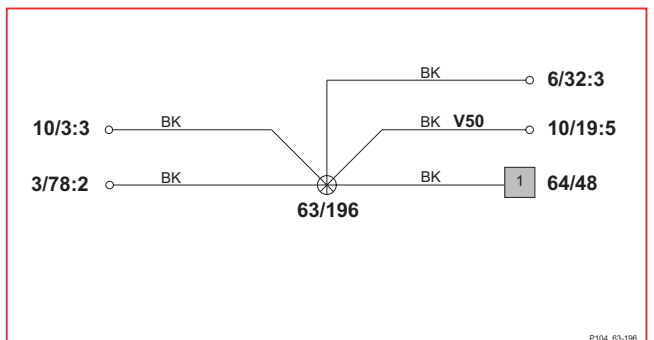
63/192A



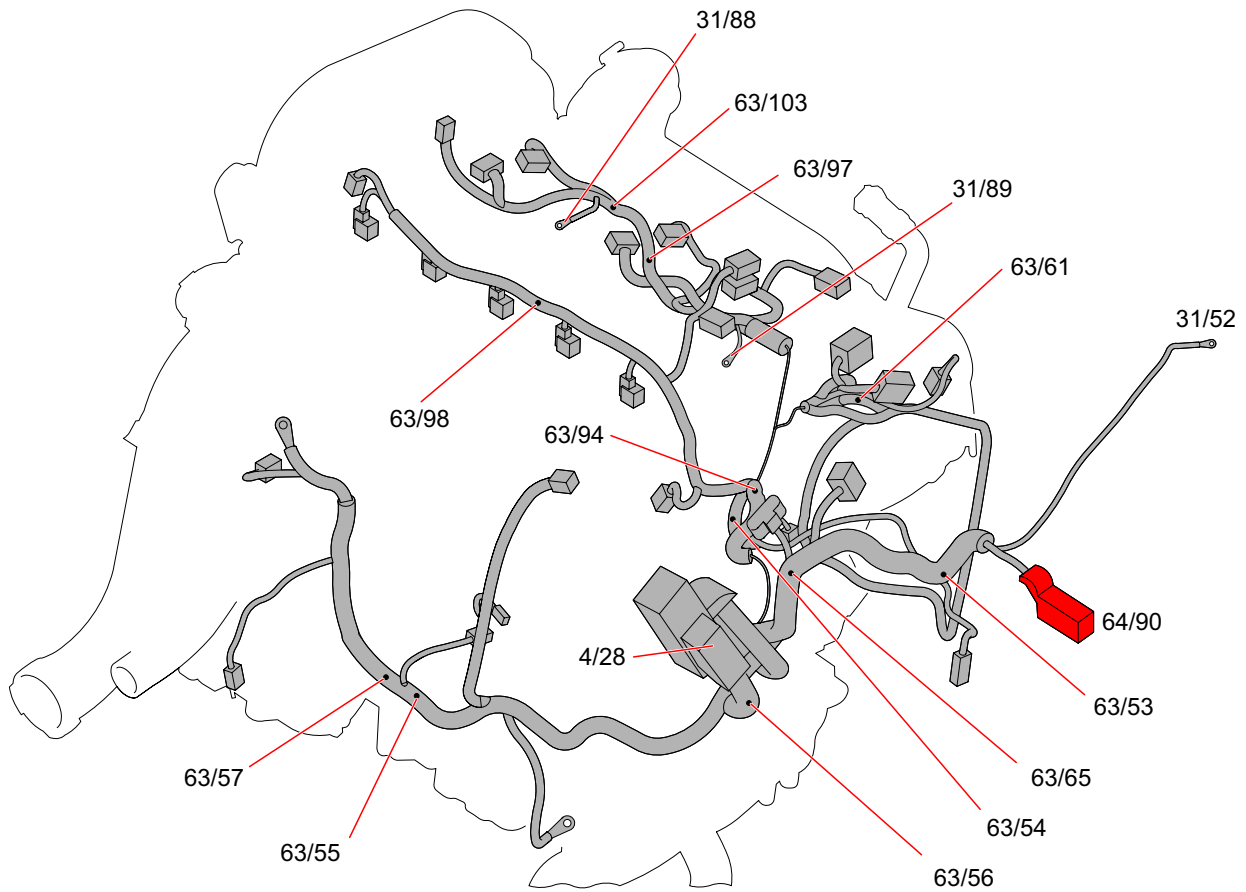
63/195



63/196



**Cable harness routing in vehicle
Engine harness, Gasoline 5-cyl.**



**Cable harness routing in vehicle
Engine harness, Gasoline, 5-cyl., Turbo**

