



Volvo V40
(2013-2014)



Wiring Diagrams and Electric Model Year 2014



VOLVO V40 (13-), V40 CROSS COUNTRY

WIRING DIAGRAM 2014



TP 39265202 Structure week 13w20

Table of Contents 1:3

Explanations & Abbreviations.....	6
How to use the wiring diagrams 1:2	7

Electrical distribution

Overview	10
Overview, Distribution box in engine compartment	11
Overview, Distribution box in engine compartment	12
Overview, Distribution box in Passenger compartment	13

Fuses

Distribution box in engine compartment F7 - F23	14
Distribution box in engine compartment F24 - F32	15
Distribution box in engine compartment F33 - F34	16
Distribution box in engine compartment F35 - F48	17
Central Electronic Module (CEM) F56 - F65	18
Central Electronic Module (CEM) F66 - F79	19
Central Electronic Module (CEM) F80 - F89	20
Distribution box in passenger compartment F1 - F20 ..	21
Distribution box in passenger compartment F21 - F46 ..	22
Main fuse box battery PF1 - PF10.....	23
Distribution box in engine compartment, Start/stop function F1	24

Relays

Relays in the engine compartment.....	25
Relays in passenger compartment.....	26

Ground connections

Overview	27
31/2 - 31/6	28
31/10 - 31/47	29
31/48 - 31/83	30
31/83	31
31/84	32
31/88 - 31/108	33
31/115 - 31/X1	34

Control modules

Overview locations	35
Overview designations	36
Central Electronic Module (CEM) 1:3.....	37
Data communication high speed CAN	40
Data communication Intermediate speed CAN	41
Data communication Extended CAN.....	42
Data communication Local CAN	43
Data communication MOST	44
Data communication, LIN 1:2	45
Steering Wheel Module (SWM).....	47

Group 26 Cooling system

Cooling fan 4-Cyl. Turbo	48
Cooling fan, 4-Cyl. Diesel	49
Cooling fan, 5-Cyl. Diesel	50
Cooling fan 5-Cyl. Turbo	51

Group 27 Engine controls

Cruise control 4-Cyl. Turbo.....	52
Cruise control 4-Cyl. Diesel	53
Cruise control 5-Cyl. Turbo.....	54
Cruise control 5-Cyl. Diesel	55
Start-/Stop function 4-Cyl. 1.6l Turbo	56
Start-/Stop function 4-Cyl. 1.6l. Diesel.....	57
Start-/Stop function 5-Cyl. Diesel.....	58
Start-/Stop function 5-Cyl. Turbo	59

Group 28 Ignition and control system

Engine management system 4-Cyl. 1.6l Turbo 1:2.....	60
Engine management system, 5-Cyl. Turbo 1:2	62
Engine management system, 4-Cyl. Diesel 1:3.....	64
Engine management system, 5-Cyl. Diesel 1:3.....	67
Emission control 4-Cyl. Turbo.....	70
Emission control 5-Cyl. Turbo.....	71

Group 32 Alternator and voltage regulator

Power supply, without start/stop function	72
Power supply, with start/stop function	73

Group 33 Starting system

Starting system keyless system 1:2.....	74
Starting system	76

Group 35 Lighting

High and low beam	77
High and low beam (Dual Xenon).....	78
Beam length adjustment, manual	79
Running/Parking light, Tail lights	80
Running/Parking light, Tail lights (Dual Xenon)	81
Daytime Running Lights	82
Daytime Running Lights (Dual Xenon)	83
Fog lights	84
Brake lights	85
Reversing lights	86
License plate lighting	87
Follow-me-home lighting.....	88
Active headlight	89
Interior lighting 1:2	90

Table of Contents 2:3

Group 36 Additional electrical equipment

Rain sensor.....	92
Direction indicator and hazard warning flashers.....	93
Wiper/washer windshield.....	94
Washer headlights.....	95
Wiper/Washer rear window.....	96
Horn.....	97
Keyless vehicle 1:2.....	98
Anti-theft alarm.....	100
Parking assistance & Park Assist Pilot (PAP).....	101
Collision warning with power brake booster.....	102
Pedestrian Airbag System.....	103
Alcohol lock.....	104

Group 37 Wiring and fuses

Diagnostics system.....	105
Outlet 12V.....	106
Cable harness towbar/tow hitch 13-pin.....	107

Group 38 Instruments

Seat belt reminder.....	108
Driver information module.....	109

Group 39 Other

Audio Premium 1:2.....	110
Audio Performance 1:2.....	112
Cellular phone 1:2.....	114
DAB Radio.....	116
Bluetooth Handsfree.....	117
TV receiver / TV Control module.....	118
Navigation system and Traffic information, portable..	119
Parking camera (PAC), rear.....	120
Sensus Connected Touch.....	121

Group 43 Transmission

Automatic transmission AWF21.....	122
Automatic transmission MPS6.....	123
Differential Electronic Module (DEM).....	124

Group 59 Brake system

Brake control system & DSTC.....	125
----------------------------------	-----

Group 64 Steering

Speed dependent power steering.....	126
-------------------------------------	-----

Group 83 Doors and openings

Central locking front doors LHD.....	127
Central locking front doors RHD.....	128
Central locking rear doors.....	129
Central locking tailgate.....	130
Central locking fuel filler flap.....	131
Signal receiver central locking.....	132
Power windows front doors LHD.....	133
Power windows front doors RHD.....	134
Power windows rear doors.....	135
Power sunshade.....	136

Group 84 Exterior decorative elements, etc.

Power door mirrors LHD.....	137
Power door mirrors RHD.....	138
Heated door mirrors LHD.....	139
Heated door mirrors RHD.....	140
Blind spot information system LHD 1:2.....	141
Blind spot information system RHD 1:2.....	143
Electrically heated front and rear windshield.....	145

Group 85 Interior equipment

Power driver's seat with memory function, LHD.....	146
Power driver's seat with memory function, RHD.....	147
Power passenger seat, LHD.....	148
Power passenger seat, RHD.....	149
Heated front seats with fans.....	150
Heated front seats without fans.....	151
Heated rear seat.....	152

Group 87 Climate control system

Climate control system PTC-elements.....	153
Climate control system, 4-Cyl. Turbo 1:2.....	154
Climate control system, 4-Cyl. Diesel 1:2.....	156
Climate control system, 5-Cyl. 1:2.....	158
Climate control system, 5-Cyl. Diesel 1:2.....	160
Parking heater, auxiliary heater.....	162

Group 88 Internal equipment

Rear-view mirror with automatic dimming.....	163
Supplemental restraint system 1:2.....	164

Group 89 Body other

Radiator masking blind.....	166
-----------------------------	-----

Connectors..... 167

Branching points..... 197

Table of Contents 3:3

Cable harness routing in vehicle

Engine harness, 5-Cyl. Turbo	214
Engine harness, 5-Cyl. Diesel	214
Engine harness, 4-Cyl. Diesel	215
Engine harness, 4-Cyl. Turbo	215
Engine compartment harness	216
Dashboard harness	216
Floor Harness, LHD	217
Floor Harness, RHD	218
Roof harness, LHD	219
Roof harness, RHD.....	219
Power steering (EPAS) harness	220
Tunnel harness	220
Front door harness, left.....	221
Front door harness, right	221

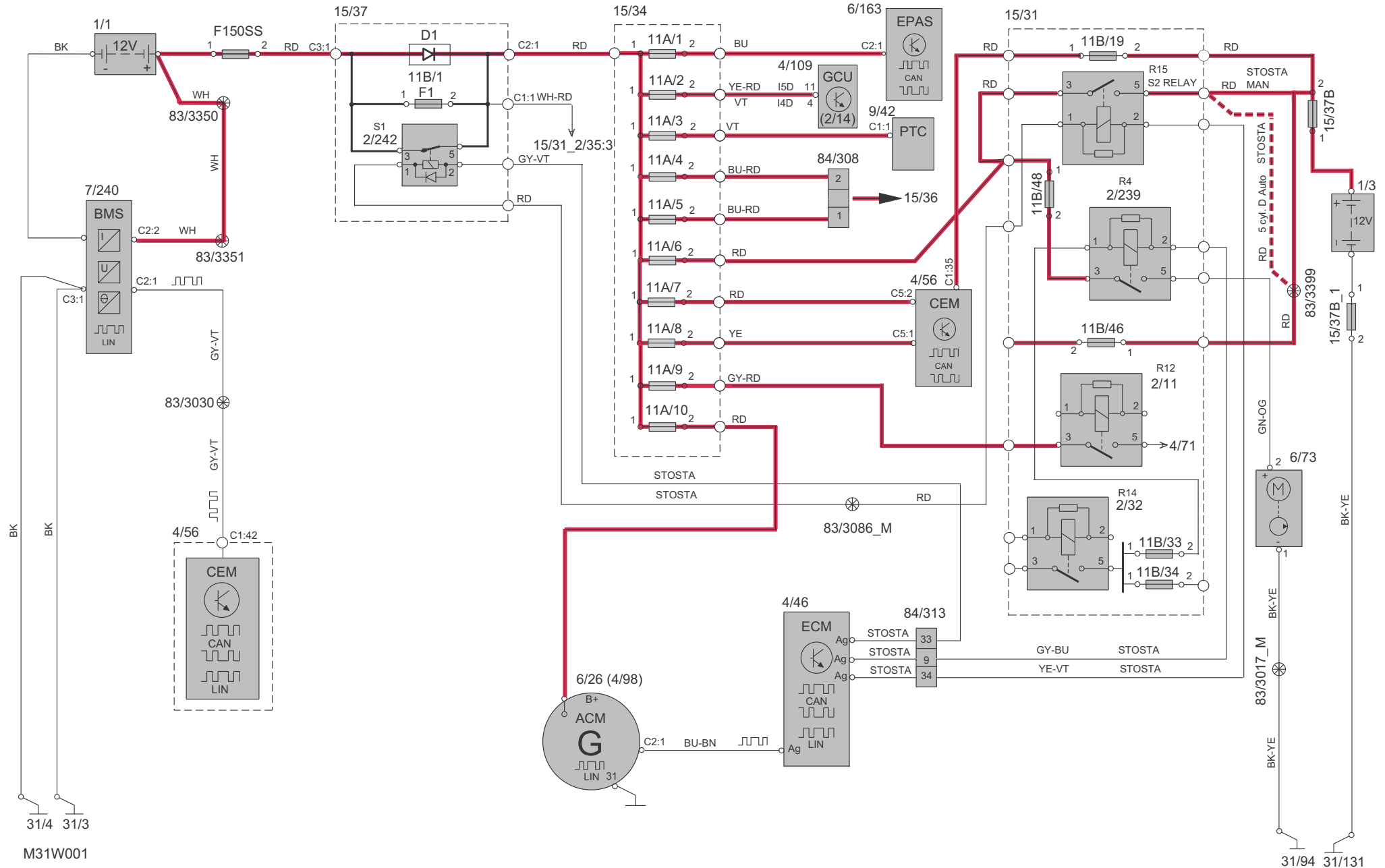
Rear door harness, left	222
Rear door harness, right	222
Tailgate harness	223
Forward Sensing Module (FSM) harness	223
Front bumper harness.....	224
Rear bumper harness	224
Fuel tank harness	225

Component illustrations	226
--------------------------------------	------------

Index 1:2	273
------------------------	------------

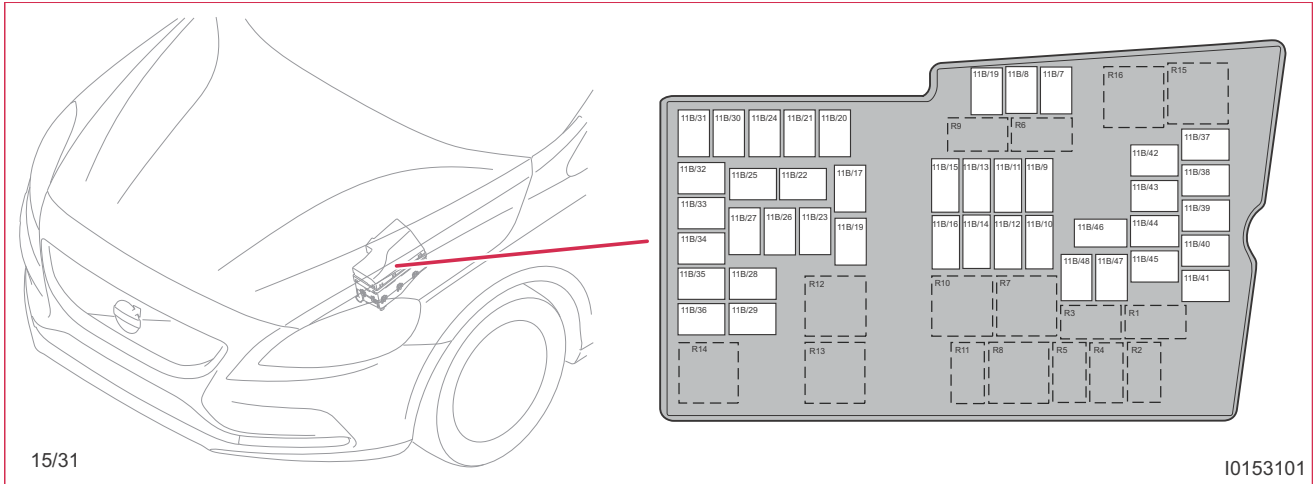
List of components 1:6	275
-------------------------------------	------------

Electrical distribution Overview



Fuses

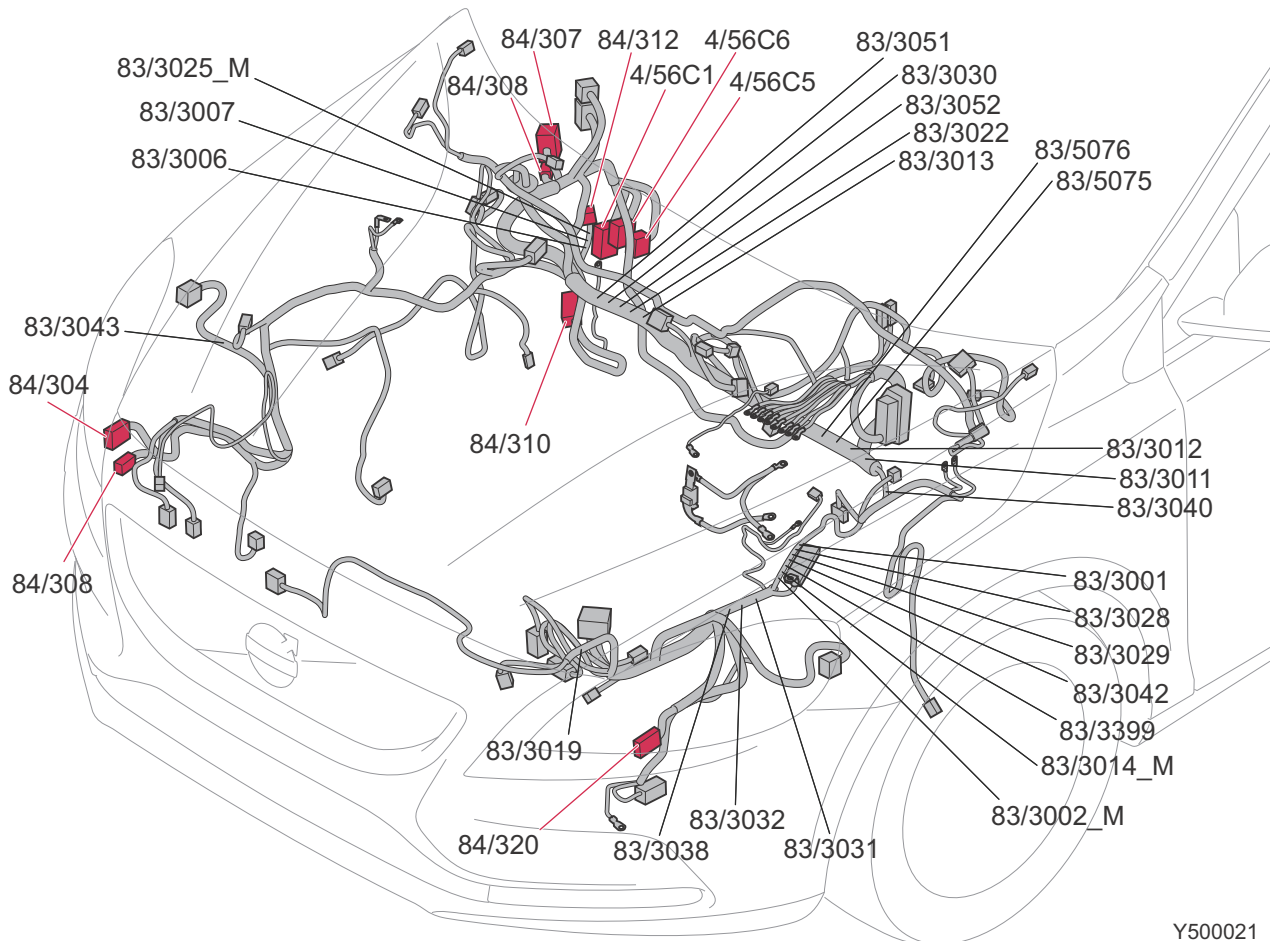
Distribution box in engine compartment F33 - F34



15/31 Distribution box in engine compartment

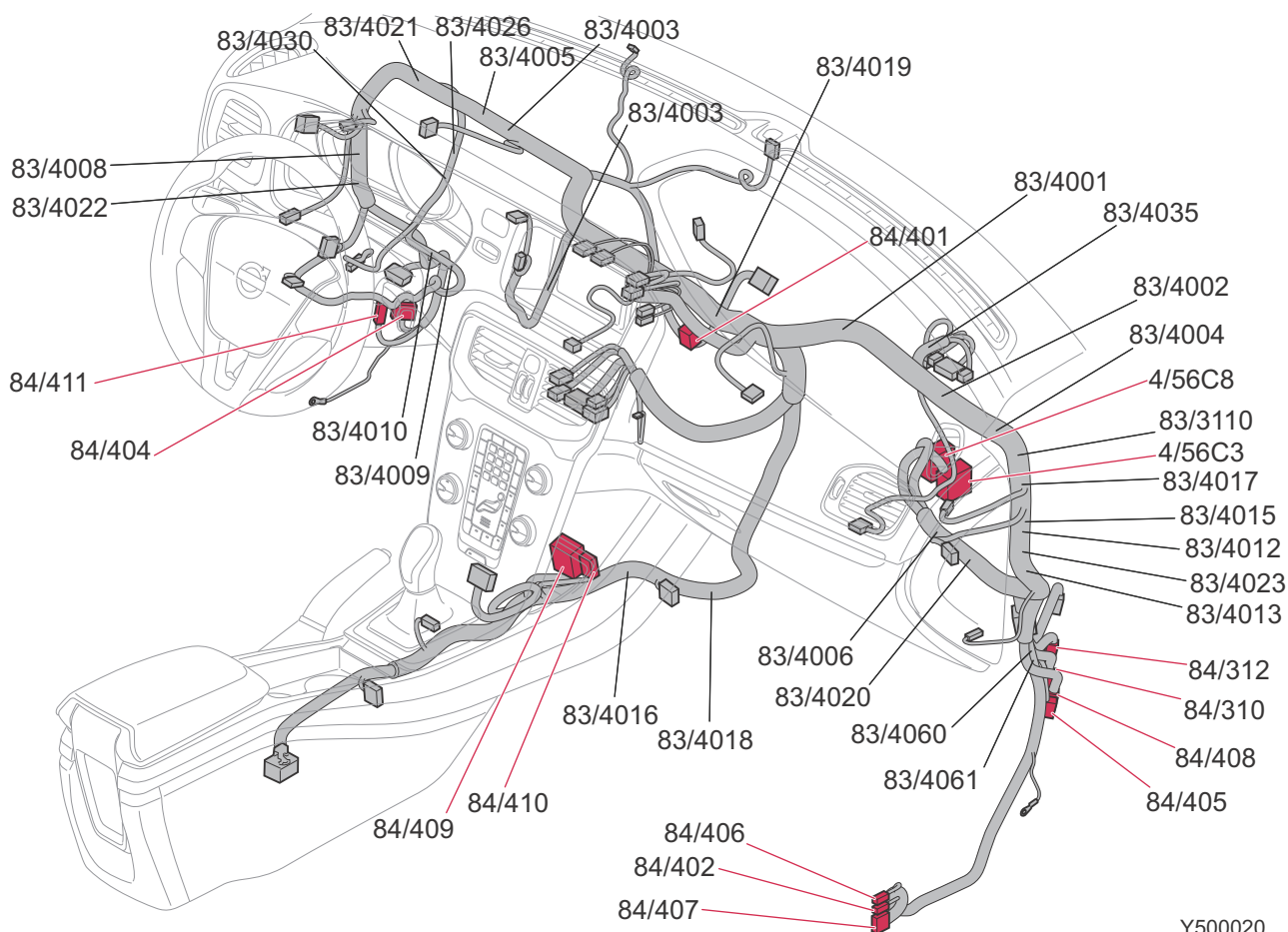
No.	No.	Fuse function	via	A			
F33	11B/33	7/17	Mass air flow sensor MAF, 4-Cyl. Turbo	-	10		
		8/18	EVAP valve, 4-Cyl. Turbo	-			
		8/111	Control valve fuel flow, 4-Cyl.	-			
		4/136	Active Grillshutter Module (AGM)	-			
		7/35	Oil level sensor, 5-Cyl. Diesel	-			
		8/3	Electromagnetic clutch, climate control system, 5-Cyl. Diesel	-			
		8/28	Turbocharger control valve, 5-Cyl. Diesel)	-			
		8/164	Electric piston cooling valve, 5-Cyl. Diesel	-			
F34	11B/34	7/15	Front heated oxygen sensor, 4-Cyl. Diesel	-	10		
		7/35	Oil level sensor	-			
		8/19	Reset valve, camshaft intake, 4-Cyl. Turbo	-			
		8/28	Turbocharger control valve, 4-Cyl. Turbo	-			
		8/81	Reset valve, camshaft exhaust, 4-Cyl. Turbo	-			
		8/159	Bypass valve, 4-Cyl. Turbo	-			
		8/167	Bypass solenoid, 4-Cyl. Turbo	-			
		8/168	Bypass solenoid, 4-Cyl. Turbo	-			
		7/15	Front heated oxygen sensor, 5-Cyl. Diesel	-			
		7/17	Mass air flow sensor MAF, 5-Cyl. Turbo	-			
		7/35	Oil level sensor	-			
		8/18	EVAP valve, 5-Cyl. Turbo	-			
		8/19	Reset valve, camshaft intake, 5-Cyl. Turbo	-			
		8/28	Turbocharger control valve, 5-Cyl. Turbo	-			
		8/81	Reset valve, camshaft exhaust, 5-Cyl. Turbo	-			
		9/32	PTC-resistor, crankcase ventilation, 5 Cyl. Diesel	-			
		continues					

Cable harness routing in vehicle Engine compartment harness



Y500021

Cable harness routing in vehicle Dashboard harness



Y500020