



Volvo V40
(2003-2004)



Wiring Diagrams and Electric Model Year 2004

Abbreviations.....	3
How to use the wiring diagrams	4
Electrical distribution	
Overview.....	6
Fuses	
Engine compartment 11A/1-8.....	8
Engine compartment 11A/9-11	9
Engine compartment 11A/12-17	10
Engine compartment 11A/18-23	11
Engine compartment 11A/24-31	12
Passenger compartment 11B/1-6	13
Passenger compartment 11B/7-10.....	14
Passenger compartment 11B/11-14	15
Accessories 11C, 11/3	16
Relays	
Engine compartment 1-9, misc.....	17
Passenger compartment 1-7, misc.....	18
Distribution rails	
15/1 - 15/3	19
15/4 - 15/6	20
15/7 - 15/8	21
Ignition switch	22
Ground connections	
31/1 - 31/3	23
31/4 - 31/5	24
31/6 - 31/8	25
31/9 - 31/12.....	26
31/13 - 31/102	27
Control modules	
Overview, Location	28
Overview, Designation	29
Group 23	
Engine management system, EMS 2000	30
Engine management system, EMS 2000 Turbo	32
Engine management system, Bi-fuel.....	34
Engine management system, Melco 2.....	36
Engine management system, Diesel.....	38
Group 26	
Electric cooling fan/ AC compressor EMS 2000	40
Electric cooling fan/ AC compressor Melco 2	41
Electric cooling fan/ AC compressor Diesel.....	42
Group 27	
Cruise control, EMS 2000	43
Cruise control, Melco 2.....	44
Cruise control, Diesel.....	45
Group 32, 33	
Charging circuit, Starting circuit	46

Group 35	
Main and dipped beams, Fog lights.....	47
Tail lights Position/parking lights	48
Numberplate lighting	48
Reversing and brake lights, filament monitor	49
Interior lighting, power sunroof	50
Key-inserted warning	50
Beam length adjustment.....	52
Instrument and control lighting.....	53
Auxiliary lamp.....	54
Group 36	
Direction indicators and warning lights.....	55
Parking Assistance system	56
Wiper/washer.....	57
Windscreen, headlamps and rear window	57
12V socket and horn	58
12V socket, cargo compartment	59
Electronic immobilizer	60
Group 37	
Diagnostics system.....	61
Towing bracket wiring.....	62
Group 38	
Seat belt reminder.....	63
Driver information module	64
Group 39	
Audio level 1	65
Audio level 2.....	66
Audio level 3.....	67
CD changer	68
Handsfree.....	69
Group 43, 52	
Automatic transmission/ Vacuum pump EMS 2000.....	70
Group 59	
ABS, DSA	71
Group 83, 36	
Central locking and anti-theft alarm EU/OS.....	72
Central locking and anti-theft alarm USA	74
Group 83, 84	
Power windows and power door mirrors.....	75
Group 84	
Heated rear window and heated door mirrors.....	76
Group 85	
Heated seats	77
Power seats.....	78
Group 87	
Climate control system.....	79

Order number TP 3969032

Replaces previous manual TP 3969031

Table of Contents

Relay, engine heater	80
Parking heater, auxiliary heater.....	81
Parking heater, remote start.....	82

Group 88

Supplemental Restraint System (SRS).....	83
--	----

Connectors 84

Junction points..... 107

Cable harness routing in vehicle

Passenger compartment harness and Dashboard harness.....	123
Engine harness EMS 2000.....	124
Engine harness Melco 2	125
Engine harness Diesel.....	126

Engine compartment harness EMS 2000.....	127
Engine compartment harness Bi-fuel.....	128
Engine compartment harness Melco 2	129
Engine compartment harness Diesel.....	130
Front door harness.....	131
Rear door harness.....	131
Roof harness	132
Rear harness S40	133
Boot lid/tailgate harness S40.....	133
Tailgate harness V40.....	134
Rear harness V40	134

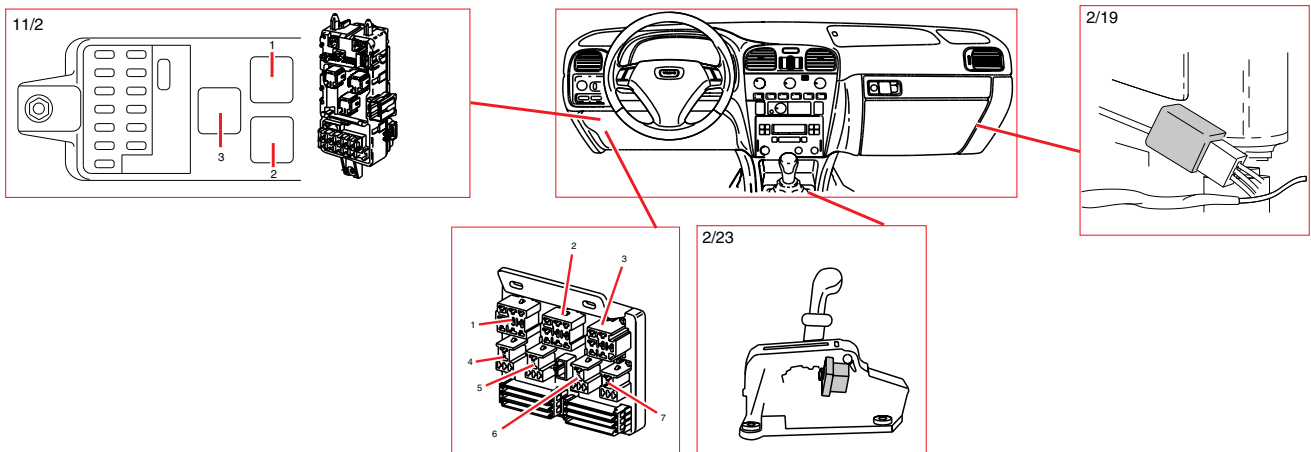
Component illustrations..... 135

Index 165

List of components

Relays

Passenger compartment 1-7, misc.



Relays in passenger compartment fuse box

Pos.	Relay function	
1	2/8	Relay, passenger compartment fan
2	2/9	Relay, electrically heated rear window/door mirrors
3	2/21	Relay, direction indicators

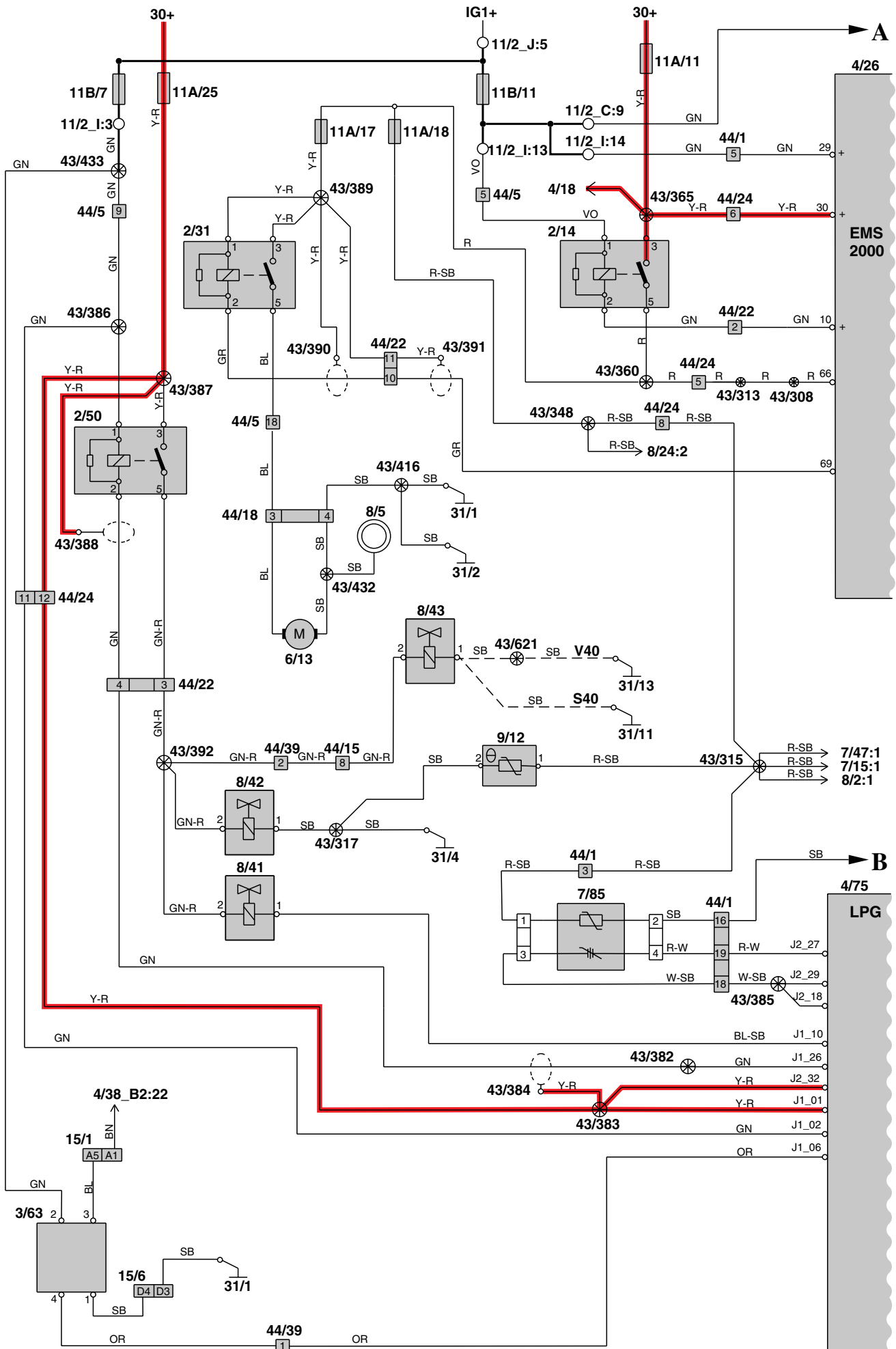
Relays in the passenger compartment

Pos.	Relay function	
3	4/35	Control module, key-inserted warning/seat belt reminder, USA, KOR
4	2/7	Starter motor relay
5	2/18	Relay, power windows
6	2/41	Relay, front 12V socket, USA, CDN, AUS
7	2/51	Relay, key-inserted warning (EU/OS)

Other relays

Pos.	Relay function	
-	2/19	Relay, passenger compartment fan max. speed
-	2/23	Relay, shift lock

Engine management system, Bi-fuel



Cable harness routing in vehicle Passenger compartment harness and Dashboard harness

