



**Volvo V40**  
(2002-2003)



**Wiring Diagrams and Electric Model Year 2003**

Abbreviations .....	3
How to use the wiring diagrams.....	4
Overview .....	6

## Fuses

Engine compartment 11A/1-8 .....	8
Engine compartment 11A/9-11 .....	9
Engine compartment 11A/12-17 .....	10
Engine compartment 11A/18-23 .....	11
Engine compartment 11A/24-31 .....	12
Passenger compartment 11B/7-10.....	14
Passenger compartment 11B/11-14 .....	15

## Relays

Engine compartment 1-9, misc.....	16
Passenger compartment 1-7, misc.....	17

## Distribution rails

15/1 - 15/3.....	18
15/4 - 15/6.....	19
15/5 - 15/6.....	20
Ignition switch .....	21

## Ground connections

31/1 - 31/4.....	22
31/4 - 31/7.....	23
31/7 - 31/10 .....	24
31/11 - 31/15.....	25

## Control modules

Overview .....	26
----------------	----

## Group 23

Engine management system, EMS 2000 .....	28
Engine management system, EMS 2000 Turbo .....	30
Engine management system, Bifuel.....	32
Engine management system, Melco 2 .....	34
Engine management system, Diesel.....	36

## Group 26

Electric cooling fan/ AC compressor EMS 2000 .....	38
Electric cooling fan/ AC compressor Melco 2 .....	39
Electric cooling fan/ AC compressor Diesel.....	40

## Group 27

Cruise control, EMS 2000 .....	41
Cruise control, Melco 2 .....	42
Cruise control, Diesel.....	43

## Group 32, 33

Charging circuit, Starting circuit.....	44
---	----

## Group 35

Main and dipped beams, Fog lights .....	45
Parking lights/side marker lights.....	46
Numberplate lighting .....	46
Reversing and brake lights, filament monitor.....	47
Interior lighting, power sunroof .....	48
Key-inserted warning.....	48

## Group 36

Beam length adjustment .....	50
Instrument and control lighting.....	51
Direction indicators and warning lights .....	52
Wiper/washer, windscreen .....	53
Headlights and rear window .....	53
12V socket and horn .....	54
Electronic immobilizer .....	55

## Group 37

Diagnostics system.....	56
Towing bracket wiring .....	57

## Group 38

Seat belt reminder.....	58
Driver information module.....	59

## Group 39

Audio level 1 .....	60
Audio level 2 .....	61
Audio level 3 .....	62

## Group 43, 52

Automatic transmission/Vacuum pump EMS 2000 .....	63
---	----

## Group 59

ABS, DSA .....	64
----------------	----

## Group 83, 36

Central locking and anti-theft alarm USA.....	65
Central locking and anti-theft alarm EU/OS.....	66

## Group 83, 84

Power windows and power door mirrors.....	68
---	----

## Group 84

Heated rear window and heated door mirrors.....	69
---	----

## Group 85

Heated seats .....	70
Power seats .....	71

## Group 87

Climate control system.....	72
-----------------------------	----

## Group 88

Supplemental Restraint System (SRS) .....	73
---	----

## Connectors

44/1 EMS 2000 .....	74
44/1 MELCO 2 .....	75
44/1 DIESEL .....	76
44/1 BIFUEL .....	77
44/2 MELCO 2 .....	78
44/3 - 44/4 .....	79
44/5 .....	80
44/6 - 44/7 .....	81
44/8 - 44/9:1-6.....	82
44/9:7-26.....	83

**Order number TP 3965032**  
Replaces previous manual TP 3965031

# Contents

44/10 .....	84
44/11 - 44/12 .....	85
44/13 .....	86
44/14 - 44/15 .....	87
44/16 - 44/18 .....	88
44/19 - 44/21 .....	89
44/22 .....	90
44/23 - 44/24 .....	91
44/25 - 44/27 .....	92
44/28 - 44/32 .....	93
44/33 - 44/37 .....	94
44/38 - 44/40 .....	95

## Junction points

43/300 - 43/308 .....	96
43/309 - 43/318 .....	97
43/319 - 43/328 .....	98
43/329 - 43/338 .....	99
43/339 - 43/348 .....	100
43/350 - 43/359 .....	101
43/360 - 43/369 .....	102
43/370 - 43/379 .....	103
43/380 - 43/384 .....	104
43/385 - 43/401 .....	105
43/402 - 43/411 .....	106
43/412 - 43/422 .....	107
43/423 - 43/432 .....	108
43/433 - 43/601 .....	109
43/602 - 43/611 .....	110
43/612 - 43/623 .....	111

## Cable harness routing in vehicle

Passenger compartment and dashboard harness .....	112
Engine harness EMS 2000 .....	113
Engine harness Melco 2 .....	114
Passenger compartment harness .....	114
Engine harness Diesel .....	115
Passenger compartment harness .....	115
Engine compartment harness EMS 2000 .....	116
Engine compartment harness Diesel .....	118

Engine compartment harness Melco 2 .....	119
Rear door harness .....	120
Rear harness S40 .....	122
Cargo compartment harness S40 .....	122
Tailgate harness V40 .....	123
Rear harness V40 .....	123

## Component illustrations

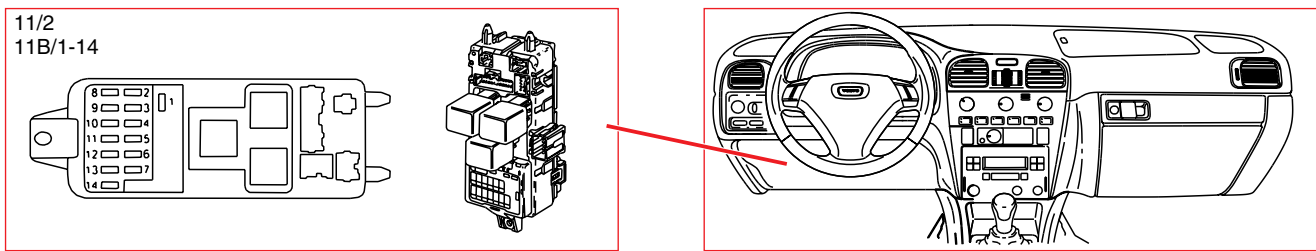
1/1 - 2/21 .....	124
2/23 - 2/51 .....	125
3/1 - 3/12 .....	126
3/13 - 3/24 .....	127
3/25 - 3/51 .....	128
3/53 - 4/6 .....	129
4/9 - 4/33 .....	130
4/35 - 6/1 .....	131
6/2 - 6/14 .....	132
6/15 - 6/45 .....	133
6/46 - 7/7 .....	134
7/9 - 7/26 EMS 2000 .....	135
7/26 Melco 2 - 7/47 .....	136
7/49 - 7/56 .....	137
7/58 - 7/72 .....	138
7/73 - 8/2 .....	139
8/3 - 8/24 .....	140
8/25 - 8/42 .....	141
8/43 - 10/4 .....	142
10/13 - 10/41 .....	143
10/42 - 11/1 .....	144
11/2 - 15/8 .....	145
31/4 - 31/15 .....	147
44/1 - 44/13 .....	148
44/14 - 44/27 .....	149
44/28 - 44/40 .....	150

## Alphabetical index

## List of components

# Fuses

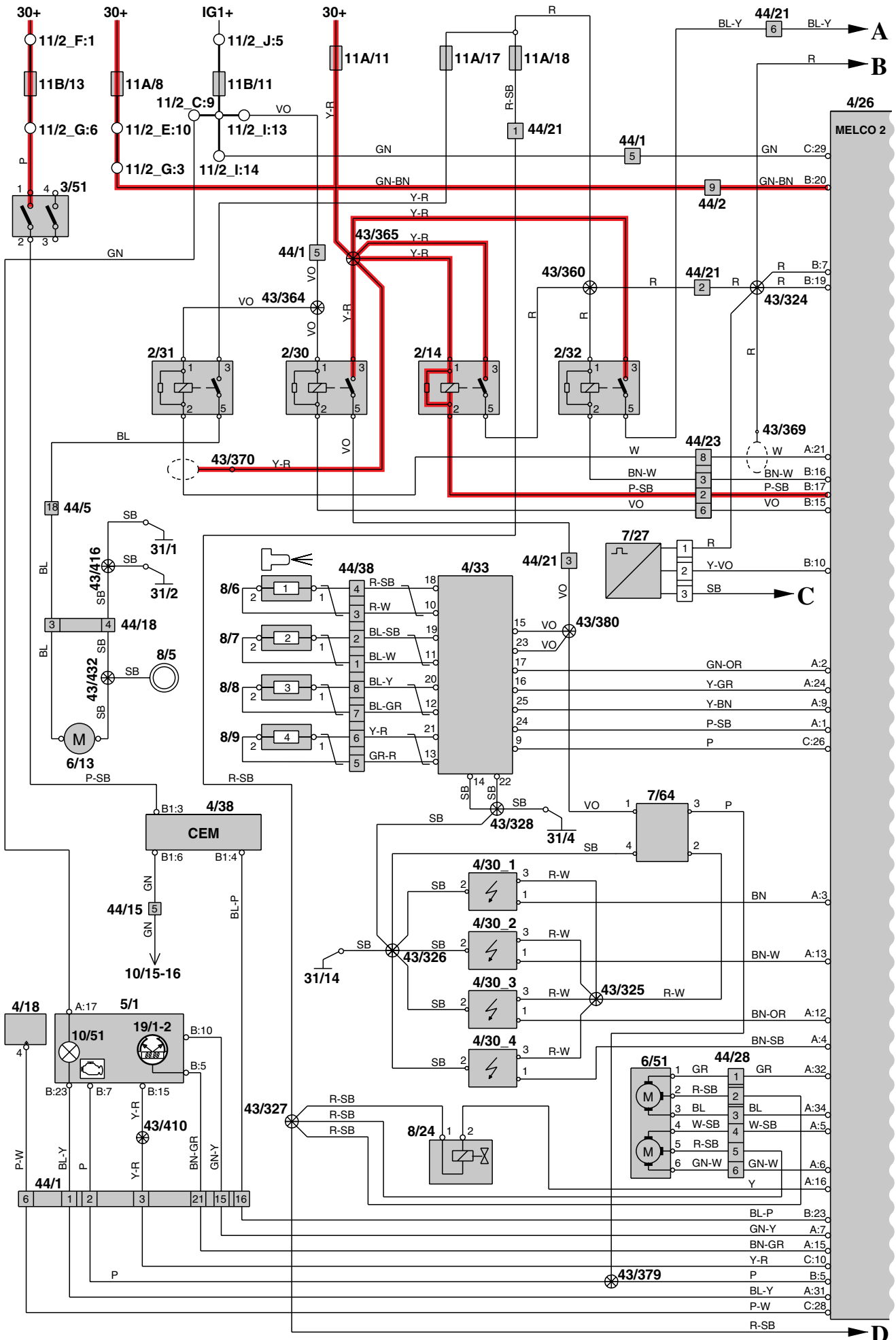
## Passenger compartment 11B/7-10



### 11B Fuses in passenger compartment

No.	Fuse function	via	A
7	4/5 Control module, cruise control, EMS 2000 2/23 Relay, shift lock 4/39 Control module for locks and alarm, VGLA 4/75 Control module LPG 2/50 Relay, LPG 3/63 Switch, gas/petrol drive, Bifuel 3/4 Control, cruise control	3/51	10
8	4/39:A26 Control module for locks and alarm, VGLA 10/64 Lamp housing, left-hand rear 10/65 Lamp housing, right rear 10/1 FL direction indicator 10/2 Direction indicator right front 10/3 Direction indicator left front wing 10/4 Direction indicator right front wing 2/21 Relay, direction indicators	4/39 4/39 4/39 4/39 3/5	15
9	2/41 Relay, cigarette lighter, USA, CDN, AUS 16/1 Radio 16/18 Bass speaker, V40 16/20 Audio amplifier		15
10	6/1 Windscreen wiper motor 6/11 Rear window wiper motor, V40 6/2 Windscreen washer pump 6/3 Right headlight wiper motor 6/4 Left headlight wiper motor	3/11 4/38 3/21 3/21 3/21	20
continues			

# Engine management system, Melco 2



# Cable harness routing in vehicle

## Passenger compartment and dashboard harness

