



Volvo S80
(2006-2016)



Wiring Diagrams and Electric Model Year 2007

VOLVO
for life

VOLVO
WIRING DIAGRAM S80 (07-)

TP 39100202

2007

Table of Contents 1:2

Vehicles with SRS (Airbag)/SIPS bag/ IC (Inflatable curtain)	2
Explanations	5
Abbreviations	5
How to use the wiring diagrams 1:2.....	6
Electrical distribution 1:2.....	8

Fuses

Engine compartment electrical center F1-F7.....	10
Engine compartment electrical center F9-F21.....	11
Engine compartment electrical center F22-F34.....	12
Engine compartment electrical center F35-F38.....	13
Engine compartment electrical center F39-F44.....	14
Central Electronic Module (CEM) F1-F15.....	15
Central Electronic Module (CEM) F17-F28.....	16
Rear electrical center FA1-FA11	17
Rear electrical center FB1-FB7	18
Rear electrical center FC2-FC7	19
Rear electrical center FD1-FD7	20
Battery PF1-PF2.....	21

Relays

Relays in the engine compartment R2.....	22
Relays in the engine compartment R8-R9.....	23
Relays in the engine compartment R10-R13.....	24
Rear electrical center RA1-RB2.....	25
Central Electronic Module (CEM)	26

Ground connections

Overview.....	27
31/1 - 31/7	28
31/10 - 31/15	29
31/47 - 31/68	30
31/83 - 31/89	31
31/90 - 31/100	32
31/XX4 - 31/AL	33

Control modules

Overview of locations.....	34
Overview of designations.....	35
Central Electronic Module (CEM) 1:3	36
High speed CAN data communication	39
Midspeed CAN data communication, LHD	40
Midspeed CAN data communication, RHD.....	41
LIN data communication 1:2	42
MOST data communication	44
Steering Wheel Module (SWM)	45

Group 23 Fuel system

Engine management system, 5 cyl. 2.5l turbo 1:2.....	46
Engine management system, 6 cyl. 1:2.....	48
Engine management system, 8 cyl. 1:2.....	50
Engine management system, 5 cyl. 2.4l diesel 1:3.....	52
Emission control, 5 cyl. 2.4l turbo	55
Emission control, 6 cyl.	56
Emission control, 8 cyl.	57

Group 26 Cooling system

Cooling fan, 5 cyl. - 6 cyl.....	58
Cooling fan, 5 cyl. 2.4l diesel	59
Cooling fan, 8 cyl.	60

Group 32 Generator and voltage regulator

Power supply	61
--------------------	----

Group 33 Starting system

Starting system	62
-----------------------	----

Group 35 Lighting

High and low beam	63
High and low beam (Bi-Xenon).....	64
Beam length adjustment, manual	65
Beam length adjustment, automatic (Bi-Xenon)	66
Active headlights.....	67
Running/parking lights, tail lights	68
Running/parking lights, Tail lights (Bi-Xenon)	69
Fog lights	70
Brake lights	71
Reversing lights	72
Lighting in sill moldings.....	73
Follow-me-home lighting, LHD.....	74
Follow-me-home lighting, RHD.....	75
Interior lighting, LHD 1:2	76
Interior lighting, RHD 1:2.....	78
Auxiliary lights.....	80

Group 36 Additional electrical equipment

Rain sensor.....	81
Direction indicators and hazard warning flashers, LHD	82
Direction indicators and hazard warning flashers, RHD	83
Windshield wiper/washer	84
High-pressure headlight washer	85
Horn	86
Anti-theft alarm	87
Keyless vehicle 1:2	88
Parking assistance.....	90
Collision warning with brake servo.....	91

Table of Contents 2:2

Group 37 Wiring and fuses

Diagnostics system.....	92
12V outlet	93
Tow hitch cable harness, 4-pin	94
Tow hitch cable harness, 7-pin	95
Tow hitch cable harness, 13-pin	96

Group 38 Instruments

Seat belt reminder	97
Driver information module.....	98

Group 39 Other

Audio Premium 1:3	99
Audio 1:2	102
Cellular phone 1:2	104
Bluetooth phone system	106
Multimedia & traffic information	107
Satellite radio.....	108

Group 43 Transmission

M66 transmission.....	109
Automatic transmission TF-80SC AWD.....	110
Differential Electronic Module (DEM).....	111

Group 55 Parking brake

Electronic parking brake	112
--------------------------------	-----

Group 59 Brake system

Brake control system & DSTC	113
-----------------------------------	-----

Group 64 Steering

Electronic power steering	114
---------------------------------	-----

Group 76 Shock absorbers

Four-C	115
--------------	-----

Group 83 Doors and openings

Central locking, front doors, LHD.....	116
Central locking, front doors, RHD.....	117
Central locking, rear doors.....	118
Central locking, trunk lid	119
Central locking, fuel filler flap.....	120
Signal receiver, central locking	121
Front door power windows, LHD	122
Front door power windows, RHD.....	123
Rear door power windows	124
Power sunroof.....	125

Group 84 Exterior decorative elements etc.

Power door mirrors, LHD	126
Heated door mirrors, LHD.....	127
Heated door mirrors with camera function, LHD.....	128
Power door mirrors, RHD	129
Heated door mirrors, RHD.....	130

Heated door mirrors with camera function, RHD	131
Rear window defroster.....	132

Group 85 Interior equipment

Power driver's seat with memory function, LHD	133
Power driver's seat with memory function, RHD	134
Power passenger seat, LHD	135
Power passenger seat, RHD	136
Heated front seats with fans	137
Heated front seats without fans	138
Heated rear seats	139

Group 87 Climate control system

Climate control system, 5, 6 & 8 cyl. 1:2.....	140
Climate control system, 5 cyl. 2.4l diesel 1:2	142
Climate control system PTC element	144
Parking heater, auxiliary heater	145

Group 88 Internal equipment

Supplemental Restraint System (SRS) 1:2.....	146
Electrically adjustable head restraint	148
Automatic anti-dazzle rearview mirror	149

Connectors..... 150

Branching points176

Cable harness routing in vehicle

Engine harness, 5 cyl.	191
Engine harness, 6 cyl.	191
Engine harness, 8 cyl.	192
Engine harness, diesel	192
Engine compartment harness	193
Dashboard harness, LHD	194
Dashboard harness, RHD.....	195
Floor harness, LHD.....	196
Floor harness, RHD	197
Infotainment harness, LHD	198
Infotainment harness, RHD.....	199
Center console harness	200
Roof harness	200
Tunnel harness	201
Left front door harness.....	202
Right front door harness	202
Left rear door harness	203
Right rear door harness	203
Trunk lid harness	204
Rear axle harnesses	204

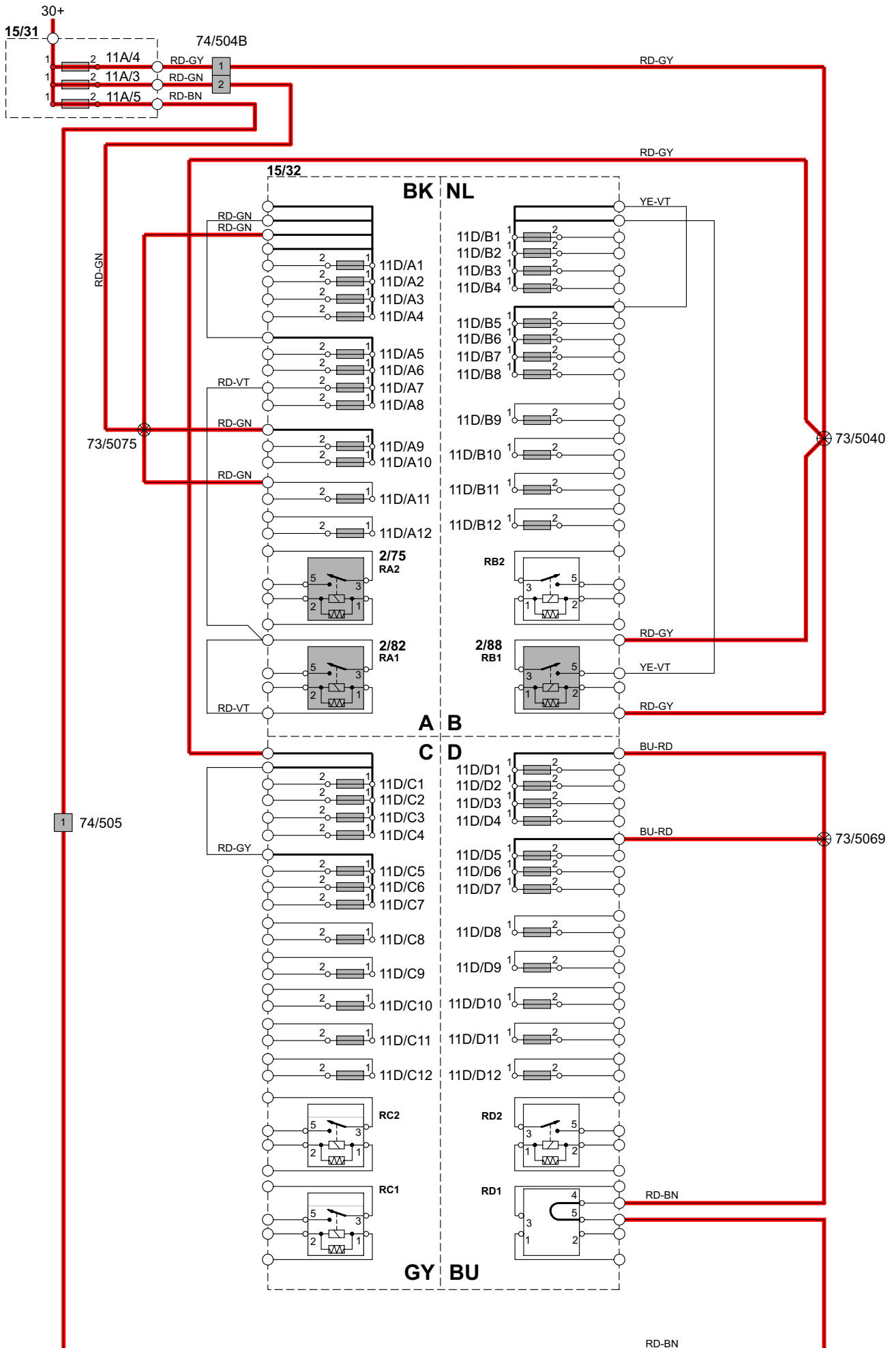
Component illustrations205

Index 1:2256

List of components 1:6258

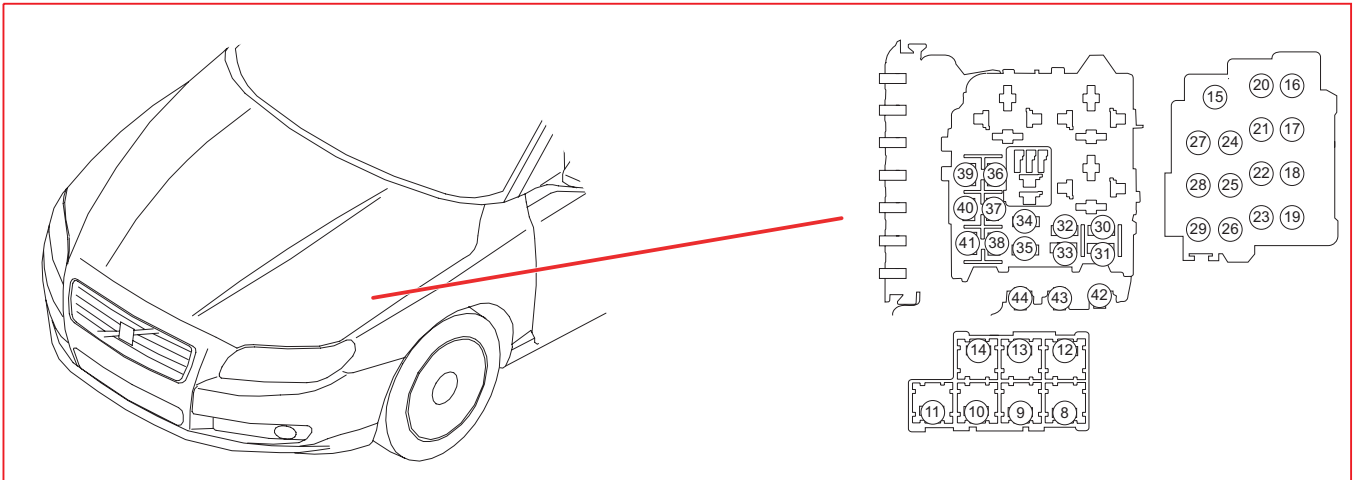
Electrical distribution 2:2

Overview, rear electrical center



Fuses

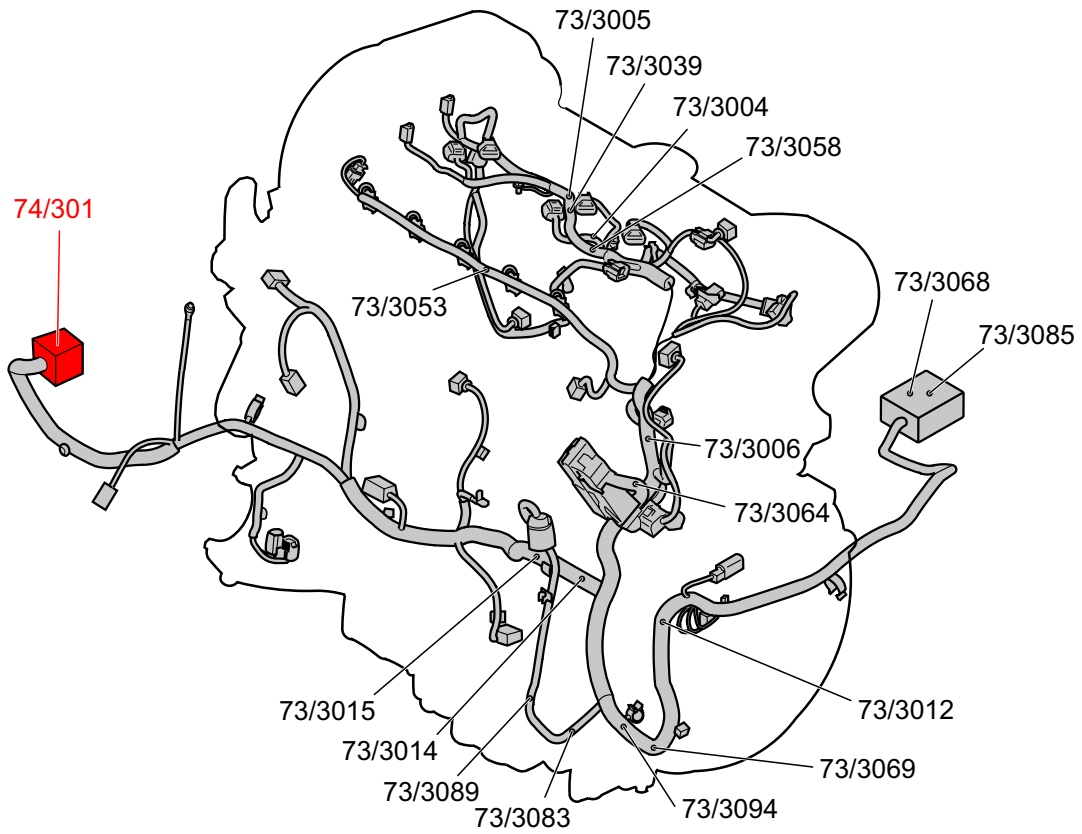
Engine compartment electrical center F22-F34



15/31 Engine compartment electrical center

No.	No.	Fuse function	via	A
F22	11B/22	4/7 Combustion Preheater Module (CPM) 6/114 Vacuum pump, 5 cyl. T.	- 8/84	20
F23	11B/23	3/111 Light Switch Module (LSM)	-	5
F24	11B/24	6/104 High pressure headlight washer motor	-	15
F25	11B/25	9/1 Front 12V outlet 9/25 Rear 12V outlet	- -	15
F26	11B/26	3/117 Switch unit, dome light 4/33 Sunroof module 6/48 Damper Motor Module (DMM), recirculation 6/95 Damper Motor Module (DMM), temperature, left side 6/96 Damper Motor Module (DMM), temperature, right side 6/102 Damper Motor Module (DMM), defroster 6/103 Damper Motor Module (DMM), floor/ventilation 7/159 Air Quality Sensor (AQS)	- - 3/112 3/112 3/112 3/112 3/112 3/112	10
F27	11B/27	2/31 Relay, 15-feed 2/193 Relay, comfort functions	- -	5
F28	11B/28	10/65 Auxiliary light, front right 10/69 Auxiliary light, front left	- -	20
F29	11B/29	2/17 Relay, horn 16/10 Horn 1 16/11 Horn 2	- 2/17 2/17	15
F30	11B/30	2/32 Main relay, engine management system 4/46 Engine Control Module (ECM), not 2.4l diesel	- -	10
F31	11B/31	4/28 Transmission Control Module (TCM)	-	15
F32	11B/32	8/3 Electromagnetic clutch, climate control system	2/22	15
F33	11B/33	2/22 Relay, climate control system 2/239 Relay, coolant pump, 8 cyl.	- -	5
F34	11B/34	6/25 Starter motor	2/35	30
continues				

**Cable harness routing in vehicle
Engine harness, 5 cyl.**



**Cable harness routing in vehicle
Engine harness, 6 cyl.**

