



Volvo S80 Typ TS
(2003-2004)



Wiring Diagrams and Electric Model Year ~~2004~~

Abbreviations.....	3
How to use the wiring diagrams.....	4

Electrical distribution

Overview.....	6
---------------	---

Fuses

Engine compartment 11A/1-8.....	8
Engine compartment 11B/1-9.....	9
Engine compartment 11B/11-23.....	10
Passenger compartment 11C/1-9.....	11
Passenger compartment 11C/10-21.....	12
Passenger compartment 11C/22-27.....	13
Passenger compartment 11C/28-31.....	14
Passenger compartment 11C/32-38.....	15
Cargo compartment 11D/1-18.....	16
Cargo compartment 11E/1-7.....	17

Relays/Shunts

Ignition switch and relays.....	18
Engine compartment FMA2 - FST3.....	19
Passenger compartment CMA2 - CSH4.....	20
Cargo compartment RMA1 - RSH6.....	21
Other relays.....	22

Ground connections

31/1 - 31/10.....	23
31/44 - 31/70.....	24
31/72 - 31/83.....	25
31/84 - 31/91.....	26
31/93 - 31/96.....	27
31/98.....	28

Control modules

Accessory Electronic Module (AEM).....	29
Overview, location.....	30
Overview, designations.....	31
Central Electronic Module (CEM).....	32
Rear Electronic Module (REM).....	34
Data communication.....	36

Group 23

Engine management system, 5-cyl normally aspirated.....	38
Engine management system, 5-cyl Turbo.....	40
Engine management system, 6-cyl.....	42
Engine management system, Bifuel.....	44
Engine management system, Diesel.....	46
Emission control, 5-cyl normally aspirated.....	48
Emission control, 6-cyl & 5-cyl Turbo.....	49

Group 26

Cooling fan.....	50
------------------	----

Group 27

Cruise control.....	51
---------------------	----

Group 32

Power supply.....	52
-------------------	----

Group 33

Starting system.....	53
----------------------	----

Group 35

Main and dipped beam.....	54
Main and dipped beam, Bi-Xenon.....	55
Fog lights.....	56
Position/parking lights, tail lights and license plate lighting.....	57
Brake lights.....	58
Reversing lights.....	59
Interior lighting.....	60
Beam length adjustment.....	61
Safety lighting.....	62
Auxiliary light.....	63

Group 36

Indicators and warning lights.....	64
Horn.....	65
Wiper/washer, windscreen.....	66
Wiper/washer, headlights.....	67
Accessory Electronic Module (AEM).....	68
Rain sensor.....	69
Anti-theft alarm.....	70
Parking Assistance system S80.....	71
Parking Assistance system.....	72
Electronic immobilizer.....	73

Group 37

Trailer functions.....	74
Towing bracket wiring, 7-pin.....	75
Towing bracket wiring, 13-pin.....	76
Diagnostics system.....	77
12V outlet.....	78
12V cargo compartment socket.....	79

Group 38

Driver information module.....	80
Driver information module, Bi-fuel.....	81
Seat belt reminder.....	82

Group 39

Road Traffic Information RTI.....	83
Audio with auxiliary amplifier.....	84
Audio.....	86
CD changer.....	87
Mobile phone.....	88
Handsfree.....	89
Audio adapter wiring.....	90

Group 43

Automatic transmission, AW55-50SN/AW50AWD.....	91
Automatic transmission, 4T65EV.....	92
Geartronic.....	93

Order number TP 3970032

Replaces previous manual TP 3970031

Shift lock.....	94
Differential Electronic Module (DEM)	95
Group 59	
Brake Control Module (BCM)	96
Group 64	
Electronic power steering	97
Group 76	
Four-C	98
Group 83	
Power windows	99
Central locking.....	100
Power sunroof.....	101
Group 84	
Heated rear window	102
Heated door mirrors	103
Power door mirrors	104
Group 85	
Heated seats	105
Power driver's seat	106
Power passenger seat	107
Group 87	
Manual climate control (MCC)	108
Electronic climate control (ECC)	109
Parking heater, auxiliary heater.....	110
Parking heater, remote start.....	111

Parking heater, Call start	112
Relay, engine heater	113
Short stop heater	114

Group 88

SRS Supplemental Restraint System.....	115
Electrically adjustable head restraint	116
Remote garage door opener	117

Connectors.....	118
------------------------	------------

Junction points	136
------------------------------	------------

Cable harness routing in vehicle

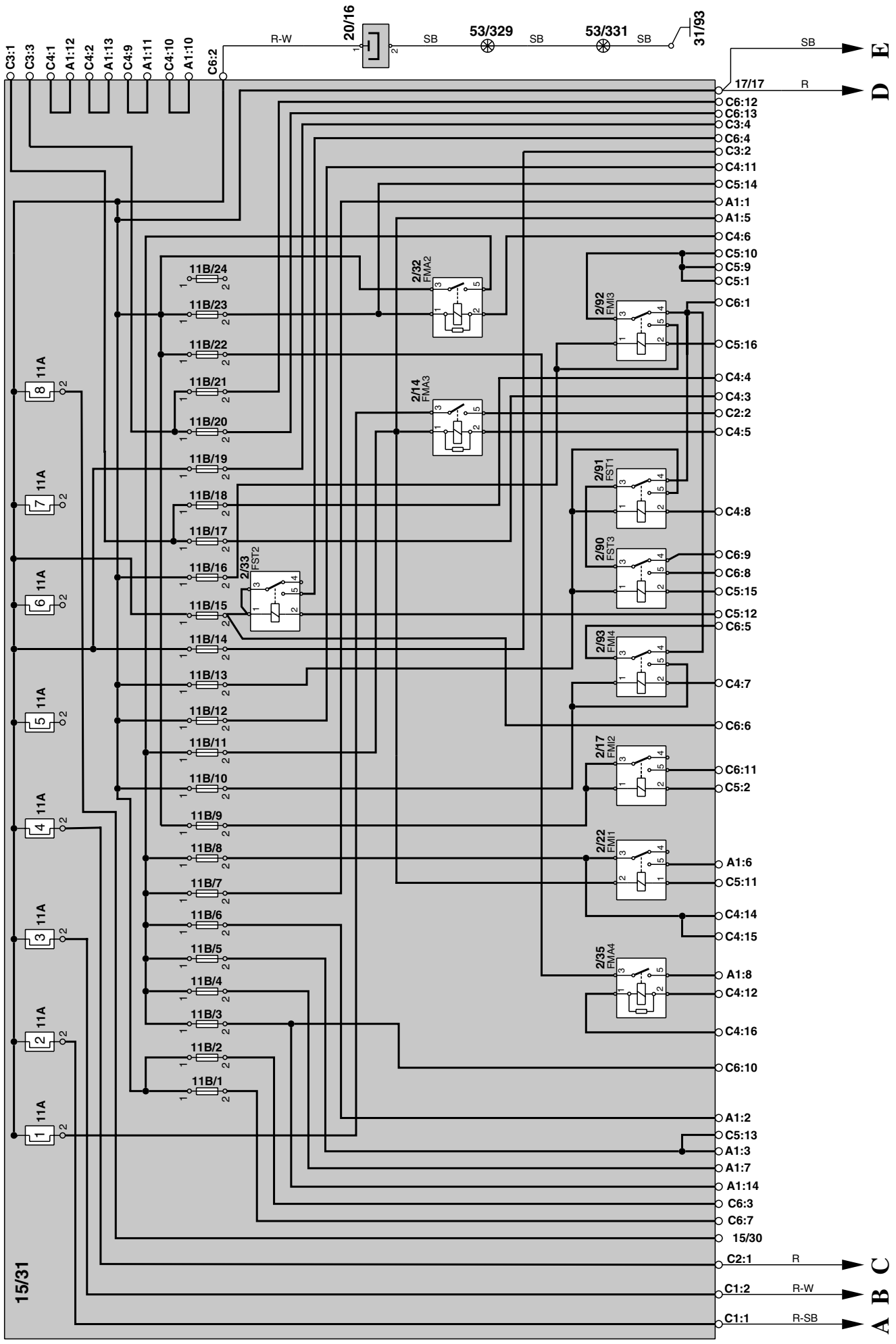
Engine harness Petrol	146
Engine harness Diesel.....	147
Transmission harness 4T65EV	148
Front engine compartment harness LHD	149
Front engine compartment harness RHD	150
Front passenger compartment harness LHD	151
Front passenger compartment harness RHD	152
Rear passenger compartment harness	153
Cargo compartment harness.....	153
Roof harness & boot lid/tailgate	154
Door harness.....	155
Bifuel harness.....	156

Component illustrations.....	157
-------------------------------------	------------

Index	197
--------------------	------------

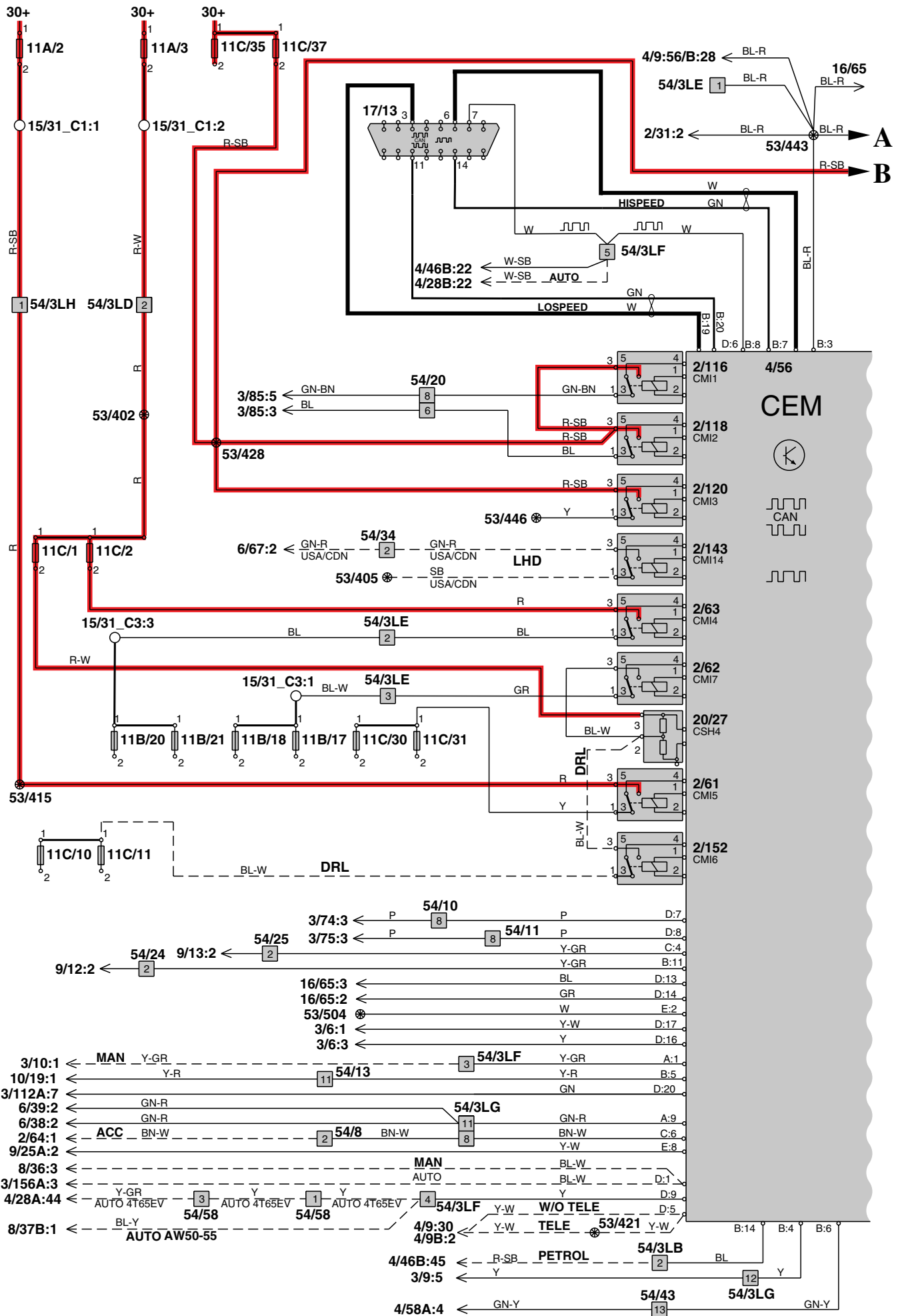
List of components

Electrical distribution Overview



Control modules

Central Electronic Module (CEM)



Cable harness routing in vehicle

Engine harness Petrol

