



Volvo S80 Typ TS
(1998-2001)



Wiring Diagrams and Electric Model Year ~~2001~~

VOLVO
for life



VOLVO
WIRING DIAGRAM S80/V70

2001

TP 3950032

Contents

The manual deals with the electrical functions on 2001 models of the S80 and 2001 models of the V70 from VIN 026213. On model V70 XC VIN 001100 applies.
The Service Manual TP 3947032 applies for earlier VIN.

Abbreviations	3
How to use the wiring diagram	4
Electrical distribution overview	6
Fuses	
in the engine housing	8
in the passenger compartment	11
in the cargo area	13
Ignition switch	15
Relays	
general	15
in the engine housing	16
in the passenger compartment	17
in the cargo area	18
Ground connections	19
Electronic switching	
Central Electronic Module CEM	22
Rear Electronic Module REM	24
Data communication	26
Connector	106
Junction points	121
Cable harness routing in vehicle	131
Component images	145
Group 23	
Engine control system Denso	28
Engine control system ME7	
5-cyl	30
6-cyl	32
Engine control system MSA 15.8	34
Emission control	
Denso	36
ME7	37
Group 26	
Electric cooling fan	38
Group 27	
Cruise control	39
Group 32	
Power supply	40
Group 33	
Start system	41

Group 35

Main and dipped beam and extra light cables	
S80	42
V70	43
Fog light	
S80	44
V70	45
Position light, tail lights and plate light	
S80	46
V70	47
Brake light	
S80	48
V70	49
Tail light	
S80	50
V70	51
Interior lighting	
S80	52
V70	53
Light length control	56
Instrument and control lighting	57
Safety lighting	58

Group 36

Indicators and hazard warning flashers	
S80	54
V70	55
Horn	59
Wiper/washer	
windscreen	60
headlights	61
rear window	62
Rain sensor	63
Cigarette lighter	64
Electronic starter lock (Immobilizer)	65
Theft alarm	
S80	66
V70	67

Continued on next page

Order number TP 3950032
Replaces the previous manual TP 3950031

Volvo retains the right to make amendments

Contents

Group 37

Extra light cables	
S80.....	42
V70.....	43
Diagnosis.....	68
Tow bar wiring.....	69
Extra heater.....	70
Parking heater.....	70
12V socket, cargo area.....	71
Seat belt reminder.....	72
Combination instrument.....	73
Radio without extra amplifier	
S80.....	74
V70.....	75
Radio with extra amplifier.....	76
Road Traffic Information RTI.....	78
Mobile phone.....	79

Group 43

Electronic controlled automatic transmission	
AW 50-42.....	80
AW 55-50.....	81
4T65EV.....	82
Geartronic.....	83
Gear change block.....	84

Group 59

ABS Brake system and STC.....	85
ABS Brake system and DSTC.....	86

Group 64

Electronic servo steering.....	87
--------------------------------	----

Group 83

Power windows	
S80.....	88
V70.....	89
Central lock	
S80.....	90
V70.....	91
Power operated sunroof.....	94

Group 84

Heated rear window	
S80.....	92
V70.....	93
Heated door mirrors.....	95
Power operated door mirrors.....	96

Group 85

Heated seats.....	97
Power driver seat.....	98
Power passenger seat.....	99

Group 87

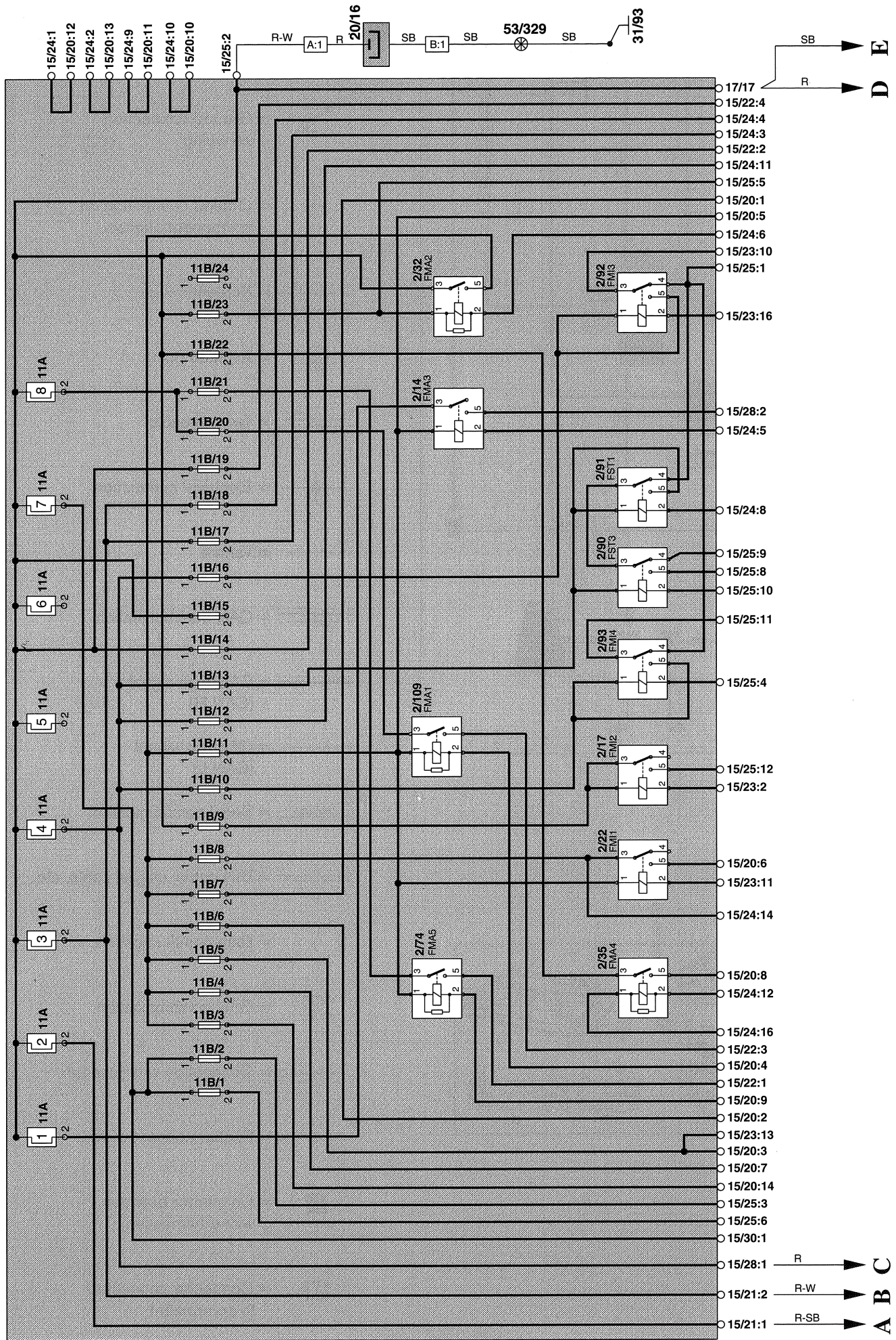
Standard heater.....	100
Manual Climate Control MCC.....	101
Electronic Climate Control ECC.....	102

Group 88

Power head restraints.....	103
SRS Supplemental Restraint System.....	104
Remote Controlled garage opener.....	105

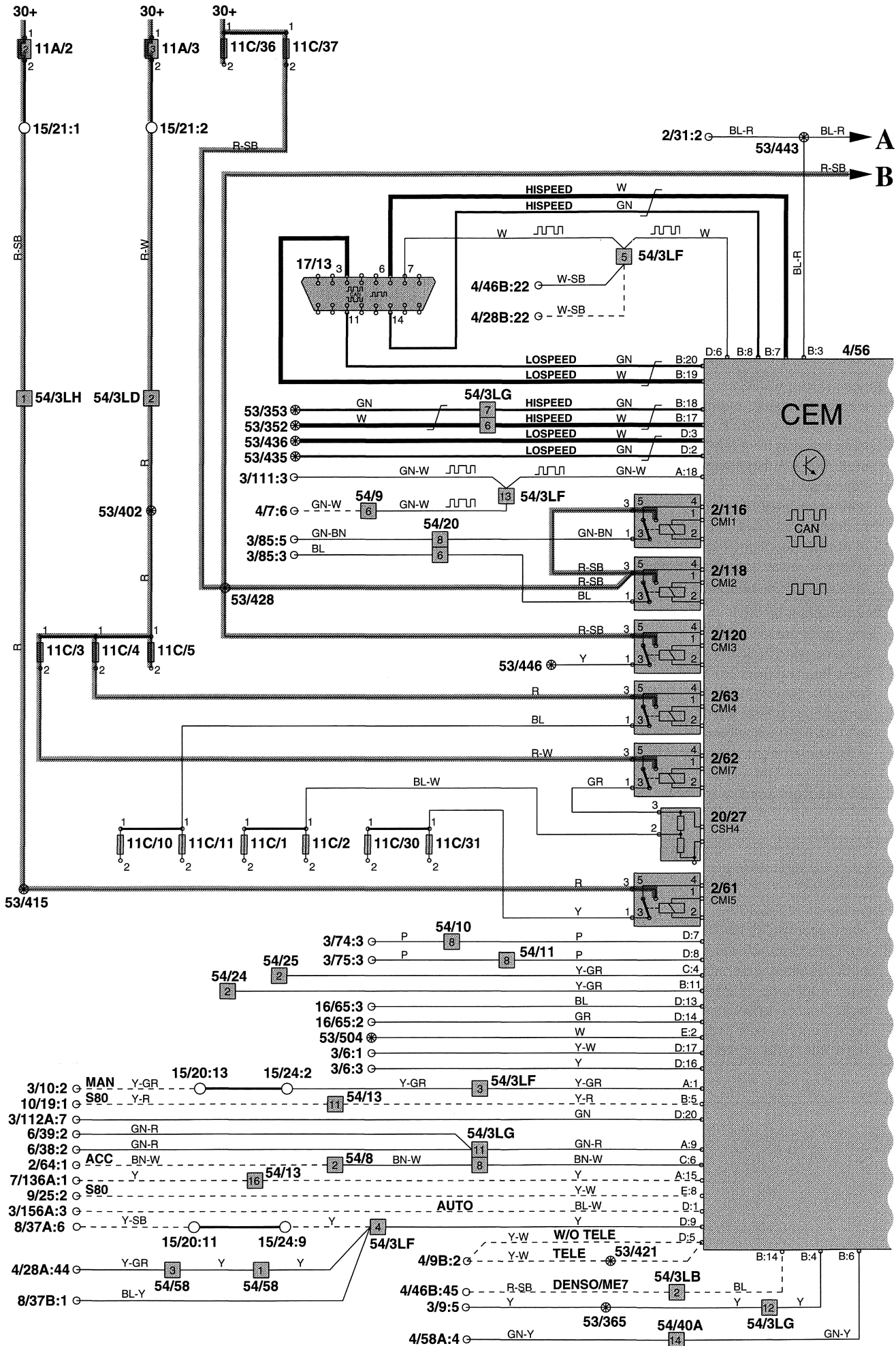
List of components (pull-out) at the end of the manual

Electrical distribution Overview



Electrical distribution

Central Electronic Module CEM



Cable harness routing in vehicle

Engine harness ME7/Denso

