



Volvo S60
(2016-2017)



Wiring Diagrams and Electric Model Year 2017



WIRING DIAGRAM 2017

Structure week 16w17 TP 39404031 - VOLVO S60 (11-18), S60CC, V60 (-18), V60CC -

Table of Contents

Explanations & Abbreviations

How to use the wiring diagrams 1:2.....	8
How to use the wiring diagrams 2:2.....	9

Electrical distribution

Overview with Start/Stop function.....	10
Overview, Distribution box in engine compartment.....	11
Overview, Distribution box in engine compartment.....	12
Overview, Distribution box in passenger compartment.....	13
Overview, Distribution box in luggage compartment.....	14

Fuses

Distribution box, engine compartment F1 - F7.....	15
Distribution box, engine compartment F8 - F20.....	16
Distribution box, engine compartment F21 - F33.....	17
Distribution box, engine compartment F34 - F37.....	18
Distribution box, engine compartment F38 - F38.....	19
Distribution box, engine compartment F39 - F44.....	20
Central Electronic Module (CEM) F1 - F5.....	21
Central Electronic Module (CEM) F6 - F13.....	22
Central Electronic Module (CEM) F14 - F24.....	23
Distribution box, passenger compartment F1 - F12.....	24
Distribution box, passenger compartment F13 - F21.....	25
Distribution box, passenger compartment F22 - F30.....	26
Distribution box, cold zone, engine compartment F1 - F9.....	27
Distribution box, cold zone, engine compartment F11 - MF2.....	28
Distribution box, luggage compartment FA1 - FA12.....	29
Battery PF1 - -.....	30

Relays

Relays in the engine compartment.....	31
Relays in the engine compartment.....	32
Overview, Distribution box in luggage compartment.....	33

Ground connections

Overview.....	34
31/2-31/7.....	35
31/10.....	36
31/15-31/48.....	37
31/65-31/83.....	38
31/84-31/89.....	39
31/93-31/115.....	40
31/117-31/TRM.....	41

Control modules

Overview locations.....	42
Overview designations.....	43
Central Electronic Module (CEM), 1:3.....	44
Central Electronic Module (CEM), 2:3.....	45
Central Electronic Module (CEM), 3:3.....	46
Data communication, high speed CAN, 1:2, EXC 4-CYL.....	47
Data communication, high speed CAN, 2:2, EXC 4-CYL.....	48
Data communication, high speed CAN, 1:2, 4-CYL.....	49
Data communication, high speed CAN, 2:2, 4-CYL.....	50
Data communication, intermediate speed CAN, LHD.....	51
Data communication, intermediate speed CAN, RHD.....	52
Data communication, Local CAN.....	53
Data communication, Extended CAN.....	54
Data communication MOST.....	55
Data communication LIN, 1:3.....	56
Data communication LIN, 2:3.....	57
Data communication LIN, 3:3.....	58
Steering Wheel Module (SWM).....	59

Group 26 Cooling system

Cooling fan, 4-CYL P.....	60
Cooling fan, 4-CYL D.....	61
Cooling fan, 5-CYL D.....	62

Group 27 Engine controls

Cruise control, 4-CYL P.....	63
Cruise control, 4-CYL D.....	64
Cruise control, 5-CYL D.....	65
Start-/Stop function, 4-CYL P.....	66
Start-/Stop function, 4-CYL D.....	67
Start-/Stop function, 5-CYL D.....	68

Group 28 Ignition and control system

Engine management system, 1:3, 4-CYL P.....	69
Engine management system, 2:3, 4-CYL P.....	70
Engine management system, 3:3, 4-CYL P.....	71
Engine management system, 1:3, 4-CYL D.....	72
Engine management system, 2:3, 4-CYL D.....	73
Engine management system, 3:3, 4-CYL D.....	74
Engine management system, 1:3, 5-CYL D.....	75
Engine management system, 2:3, 5-CYL D.....	76
Engine management system, 3:3, 5-CYL D.....	77
Emission control, 4-CYL P.....	78

Group 32 Alternator and voltage regulator

Power supply, Start/Stop, 4-CYL.....	79
Power supply, Start/Stop, 5-CYL.....	80

Group 33 Starting system

Starting system, Start/Stop, 1:2, 4-CYL.....	81
Starting system, Start/Stop, 2:2, 4-CYL.....	82
Starting system, Start/Stop, 1:2, 5-CYL D.....	83
Starting system, Start/Stop, 2:2, 5-CYL D.....	84

Table of Contents

Group 35 Lighting

High and low beam - Halogen.....	85
High and low beam - Dual Xenon.....	86
Beam length adjustment, manual.....	87
Running/Parking light, Tail lights, S60.....	88
Running/Parking light, Tail lights, V60.....	89
Fog lights, S60.....	90
Fog lights, V60.....	91
Brake lights, S60.....	92
Brake lights, V60.....	93
Reversing lights, S60.....	94
Reversing lights, V60.....	95
Follow-me-home lighting, LHD.....	96
Follow-me-home lighting, RHD.....	97
Interior lighting, 1:2, LHD.....	98
Interior lighting, 2:2, LHD.....	99
Interior lighting, 1:2, RHD.....	100
Interior lighting, 2:2, RHD.....	101
Active headlight, GDL.....	102
Auxiliary lights.....	103

Group 36 Additional electrical equipment

Rain sensor.....	104
Direction indicator and hazard warning flashers, S60 & LHD.....	105
Direction indicator and hazard warning flashers, V60 & LHD.....	106
Direction indicator and hazard warning flashers, S60 & RHD.....	107
Direction indicator and hazard warning flashers, V60 & RHD.....	108
Wiper/washer windshield.....	109
Washer headlights.....	110
Wiper/Washer rear window.....	111
Horn.....	112
Keyless vehicle, 1:2.....	113
Keyless vehicle, 2:2.....	114
Anti-theft alarm.....	115
Parking assistance.....	116
Collision warning with power brake booster.....	117
Tire Pressure Monitoring System (TPMS).....	118
Alcohol lock.....	119

Group 37 Wiring and fuses

Diagnostics system.....	120
Outlet 12V.....	121
Outlet 12V, V60.....	122
Cable harness towbar/tow hitch 4-pin, S60.....	123
Cable harness towbar/tow hitch 4-pin, V60.....	124
Cable harness towbar/tow hitch 7-pin, S60.....	125
Cable harness towbar/tow hitch 7-pin, V60.....	126
Cable harness towbar/tow hitch 13-pin, S60.....	127
Cable harness towbar/tow hitch 13-pin, V60.....	128

Group 38 Instruments

Seat belt reminder.....	129
Driver information system.....	130

Group 39 Other

Audio High/Premium, 1:3, IAM.....	131
Audio High/Premium, 2:3, IAM.....	132
Audio High/Premium, 3:3, IAM.....	133
Audio High/Premium, 1:3, IHU.....	134
Audio High/Premium, 2:3, IHU.....	135
Audio High/Premium, 3:3, IHU.....	136
Audio, 1:2.....	137
Audio, 2:2.....	138
Cellular phone, 1:2.....	139
Cellular phone, 2:2.....	140
DAB Radio.....	141
Multimedia monitor with DVD, Dual Screen.....	142
TV receiver/TV control module, S60.....	143
TV receiver/TV control module, V60.....	144
Bluetooth Handsfree, IAM.....	145
Bluetooth Handsfree, IHU.....	146
Navigation system & Traffic information, portable.....	147
Vehicle Information and Communication System, J.....	148
Satellite radio.....	149
Parking camera.....	150
Parking camera, Wide angle, Front.....	151
Sensus Connected Touch.....	152

Group 43 Transmission

Manual Transmission.....	153
Automatic transmission, AWF21.....	154
Automatic transmission, AWF22.....	155
Differential Electronic System (DEM), 4WD.....	156

Group 55 Parking brake

Electric parking brake.....	157
-----------------------------	-----

Group 59 Brake system

Brake control system.....	158
---------------------------	-----

Group 64 Steering

Speed dependent power steering, EHPAS.....	159
Speed dependent power steering, EPAS.....	160

Group 76 Shock absorbers

Four-C.....	161
-------------	-----

Group 83 Doors and openings

Central locking front doors, LHD.....	162
Central locking front doors, RHD.....	163
Central locking rear doors.....	164
Central locking tailgate, S60.....	165
Central locking tailgate, V60.....	166
Central locking fuel filler flap.....	167
Signal receiver central locking.....	168
Power windows front doors, LHD.....	169
Power windows front doors, RHD.....	170
Power windows rear doors.....	171
Power sunroof, HATCH.....	172

Table of Contents

Group 84 Exterior decorative elements, etc.

Power door mirrors, LHD.....	173
Power door mirrors, RHD.....	174
Heated door mirrors, LHD.....	175
Heated door mirrors, RHD.....	176
Door mirrors with automatic dimming, LHD.....	177
Door mirrors with automatic dimming, RHD.....	178
Blind spot information system, 1:2, LHD.....	179
Blind spot information system, 2:2, LHD.....	180
Blind spot information system, 1:2, RHD.....	181
Blind spot information system, 2:2, RHD.....	182
Heated windscreen.....	183
Heated rear window.....	184

Group 85 Interior equipment

Power driver's seat with memory function, LHD.....	185
Power driver's seat with memory function, RHD.....	186
Power passenger seat, LHD.....	187
Power passenger seat, RHD.....	188
Heated steering wheel.....	189
Heated front seats with fans.....	190
Heated front seats without fans.....	191
Heated rear seat.....	192
Lumbar support driver, LHD.....	193
Lumbar support driver, RHD.....	194
Lumbar support passenger, LHD.....	195
Lumbar support passenger, RHD.....	196

Group 87 Climate control system

Climate control system PTC-elements.....	197
Climate control system, 1:2, 4-CYL.....	198
Climate control system, 2:2, 4-CYL.....	199
Climate control system, 1:2, 5-CYL D.....	200
Climate control system, 2:2, 5-CYL D.....	201
Parking heater, auxiliary heater.....	202
Parking heater, remote start.....	203

Group 88 Internal equipment

Supplemental restraint system, 1:2.....	204
Supplemental restraint system, 2:2.....	205
Rear-view mirror with automatic dimming.....	206
Remote control garage opening.....	207
Power folding headrest.....	208

Group 89 Body other

Radiator masking blind, ACTGR.....	209
------------------------------------	-----

Connectors.....210

Branching points.....261

Cable harness routing in vehicle

Rear door harness, left.....	282
Rear door harness, right.....	282
Driver door harness, LHD.....	283
Driver door harness, RHD.....	283
Passenger door harness, LHD.....	284
Passenger door harness, RHD.....	284
Dual battery harness.....	285
Alternator and generator harness, 4-CYL.....	285
Alternator and generator harness, 5-CYL D.....	286
Centre console harness, LHD.....	286
Centre console harness, RHD.....	287
Tunnel harness.....	287
Front bumper harness.....	288
Rear bumper harness.....	288
Rear bumper adapter harness, S60.....	289
Rear bumper adapter harness, V60.....	289
Boot lid/tailgate harness, S60.....	290
Boot lid/tailgate harness, V60.....	290
WEM harness.....	291
Rear right axle harness, W/O 4WD.....	291
Rear right axle harness, 4WD.....	292
Rear right axle harness, 5-CYL D.....	292
Left rear axle harness, W/O 4WD.....	293
Left rear axle harness, 4WD.....	293
Left rear axle harness, 5-CYL D.....	294
Electrical power steering harness, LHD.....	294
Electrical power steering harness, RHD.....	295
Crankshaft sensor harness, 4-CYL D.....	295
Crankshaft sensor harness, 4-CYL P.....	296
Crankshaft sensor harness, 5-CYL D.....	296
AWD harness, 4WD.....	297
Forward looking radar adapter harness.....	297
Tailgate antenna harness, V60.....	298
Glow plug adapter harness, 4-CYL D.....	298
Floor harness, S60 & LHD.....	299
Floor harness, S60 & RHD.....	300
Floor harness, V60 & LHD.....	301
Floor harness, V60 & RHD.....	302
Dashboard harness, LHD.....	303
Dashboard harness, RHD.....	304
Engine harness, 4-CYL D.....	305
Engine harness, 4-CYL P.....	306
Engine harness, 5-CYL D.....	307
Roof harness, LHD.....	308
Roof harness, RHD.....	309
Engine compartment harness, LHD.....	310
Engine compartment harness, RHD.....	311
Infotainment harness, S60.....	312
Infotainment harness, V60.....	313
Four-C harness, S60.....	314
Four-C harness, V60.....	315
Heated washer nozzle harness.....	316

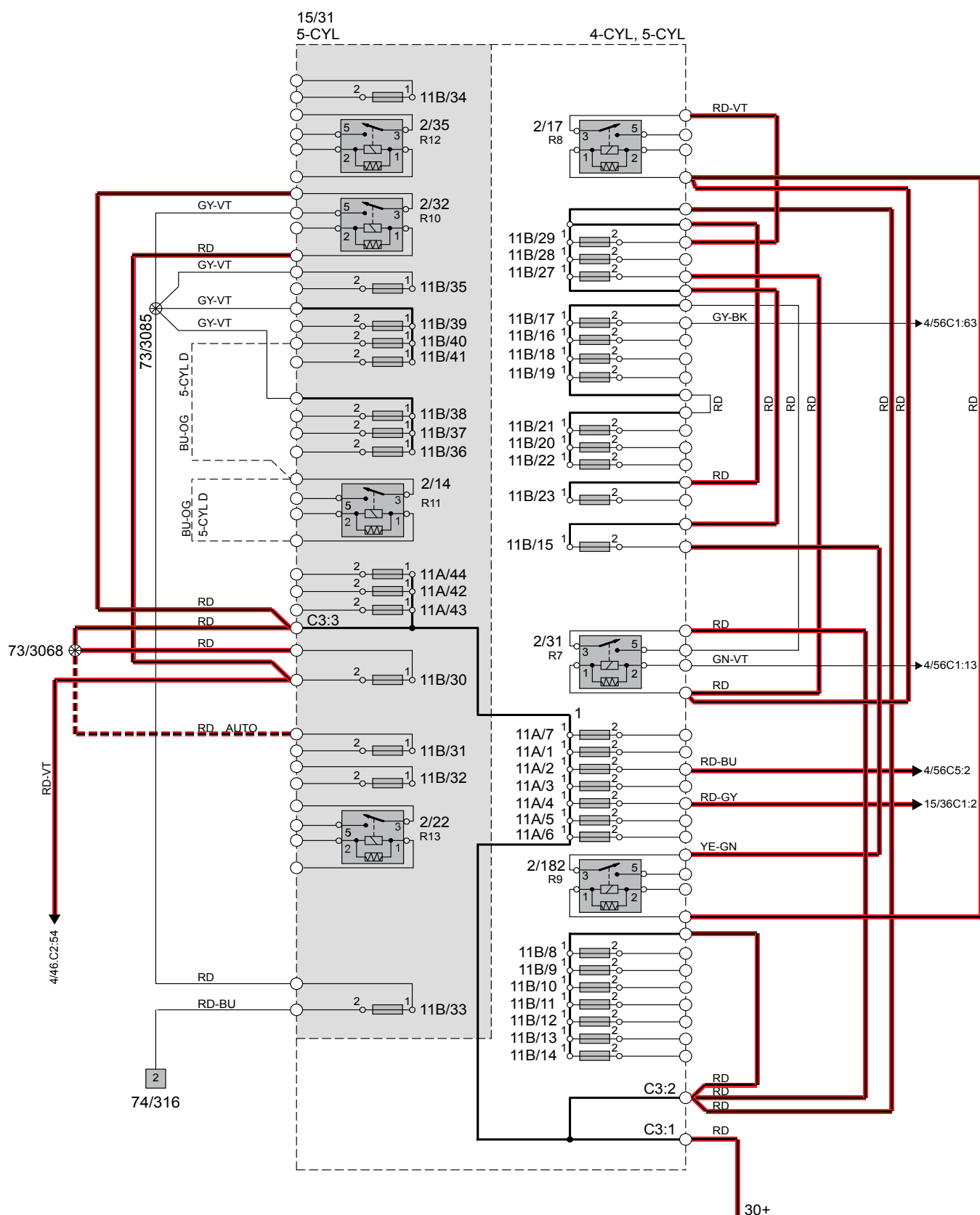
Component Illustrations..... 317

Index.....386

List of Components.....389

Electrical distribution

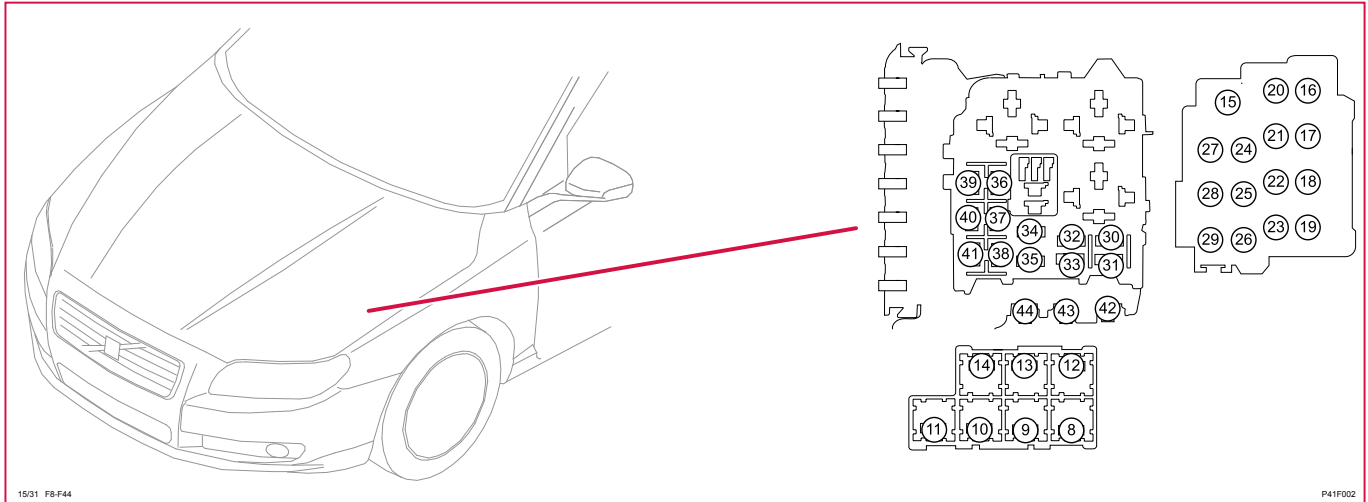
Overview, Distribution box in engine compartment



AD33W029

Fuses

Distribution box, engine compartment F39 - F44

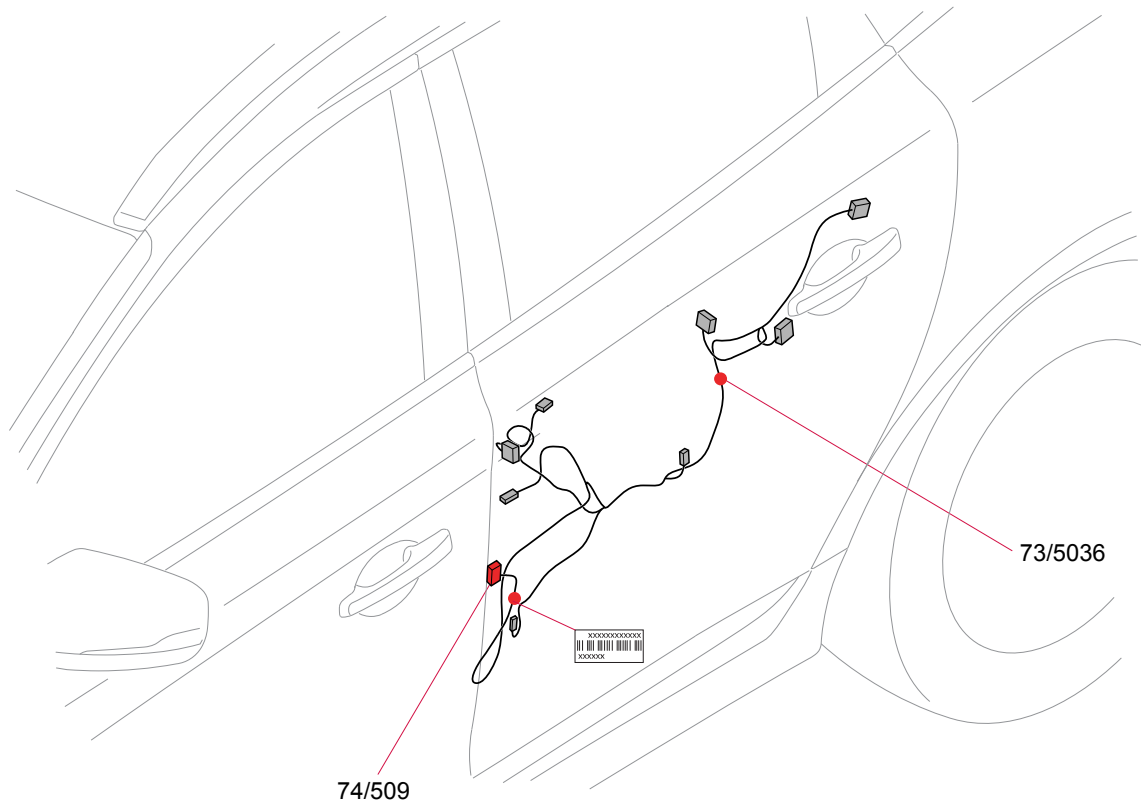


15/31 Distribution box, engine compartment

No.	No.	Fuse function	via	A
F39	11B/39	4/136 Active Grill shutter Module (AGM), 5-CYL D & ACTGR 7/15 Front heated oxygen sensor, 5-CYL D 7/82 Rear oxygen sensor, bank 1, 5-CYL D 7/15 Front heated oxygen sensor, 4-CYL 2.0L 7/104 Rear oxygen sensor, 4-CYL P	- - - - -	15
F40	11B/40	20/3-6 Spark plug and ignition coils, 4-CYL P	-	15
F40	11B/40	9/38 Electrically heated fuel filter, 4-CYL D 2/14 Relay, diesel filter heater, [15/31], 5-CYL D 9/38 Electrically heated fuel filter, 5-CYL D	2/22 - 2/14	20
F41	11B/41	6/67 Pump, fuel leakage control, 4-CYL P & DMTL 8/3 Electromagnetic clutch, climate control system, 4-CYL P	- -	7.5
F41	11B/41	6/179 Electric oil pump, 5-CYL D & TEOP 9/32 PTC resistor, crankcase ventilation, 5-CYL D	- -	10
F41	11B/41	4/109 Glow plug control module, 4-CYL D 8/3 Electromagnetic clutch, climate control system, 4-CYL D 8/180 Engine oil pump solenoid, 4-CYL D	- - -	15
F42	11A/42	6/113 Coolant water pump, 4-CYL P	-	50
F42	11A/42	4/109 Glow plug control module, D	-	70
F43	11A/43	4/71 Cooling fan control module, 4-CYL P EXC FANH	-	60
F43	11A/43	4/71 Cooling fan control module, 5-CYL D, 4-CYL D, (4-CYL P & FANH)	-	80
F44	11A/44	6/163 Power Steering Control Module (PSCM), EPAS 6/164 Power Steering Control Module (PSCM), EHPAS	- -	100

Cable harness routing in vehicle

Rear door harness, left

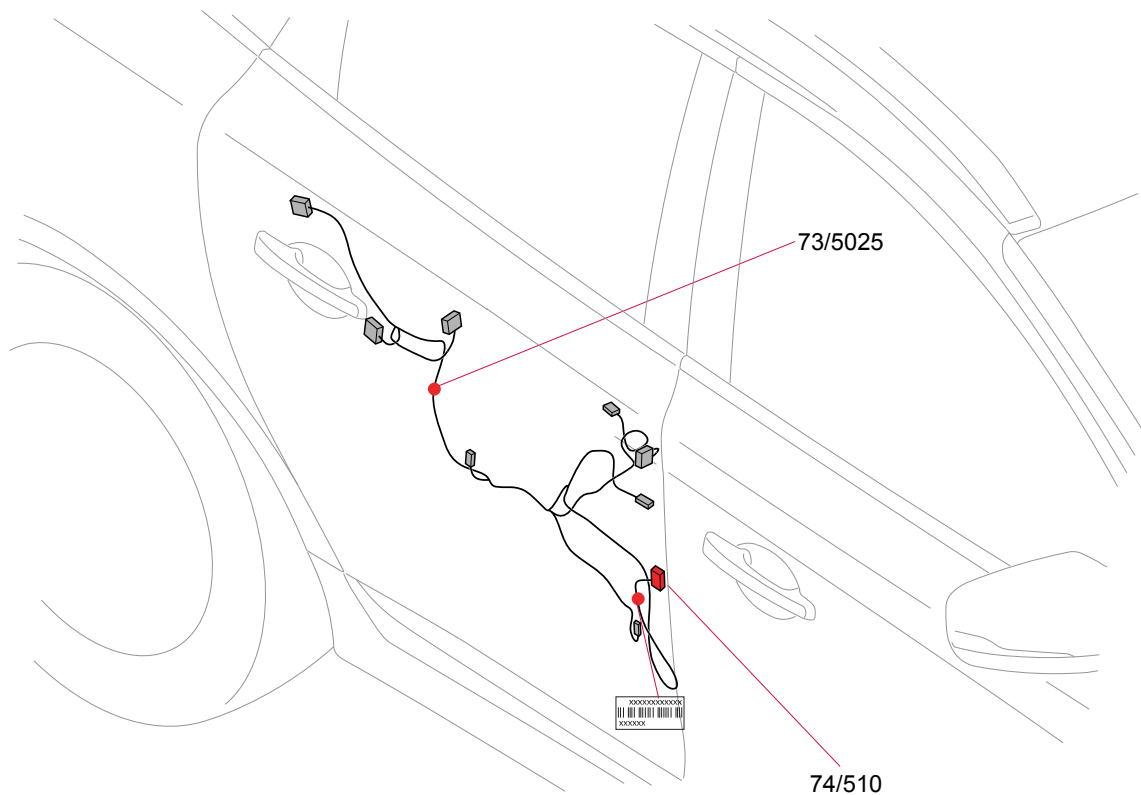


14240_RL Y283/Y352/L421/Y352 PHEV

P44H042

Cable harness routing in vehicle

Rear door harness, right



14240_RR Y283/Y352/Y352 PHEV

P44H046