



**Volvo S60**  
(2010-2011)



**Wiring Diagrams and Electric Model Year 2011**



VOLVO S60 (11-), V60

# WIRING DIAGRAM 2011



TP 39187202

# Table of Contents 1:3

Vehicles with SRS (Airbag)/SIPS bag /IC (Inflatable curtain).....	2
Explanations .....	6
Abbreviations.....	6
How to use the wiring diagrams 1:2.....	7
Overview, Electrical center and Cold zone in engine compartment.....	9
Overview, Distribution box in cargo compartment.....	10
Overview, Distribution box in passenger compartment	11

## Fuses

Distribution box in engine compartment F1-F7.....	12
Distribution box in engine compartment F8-F23.....	13
Distribution box in engine compartment F27-F36.....	14
Distribution box in engine compartment F37-F38.....	15
Engine compartment electrical center F39-F44.....	16
Central Electronic Module (CEM) F1 - F8.....	17
Central Electronic Module (CEM) F9 - F19.....	18
Central Electronic Module (CEM) F20 - F24.....	19
Distribution box in passenger compartment F1 - F17...	20
Distribution box in passenger compartment F18 - F30.	21
Distribution box in cargo compartment FA1-FA11.....	22
Battery PF1-PF2.....	23

## Relays

Relays in the engine compartment R1-R2.....	24
Relays in the engine compartment R8.....	25
Relays in the engine compartment R10-R13.....	26
Relays in passenger compartment R1 - R4.....	27
Cargo compartment RA1 - RA2.....	28

## Ground connections

Overview.....	29
31/1 - 31/7 .....	30
31/10 - 31/15 continues .....	31
31/15 - 31/68 .....	32
31/83 - 31/89 .....	33
31/90 - 31/XX10.....	34
31/XX14 - 31/TRM.....	35

## Control modules

Overview locations.....	36
Overview designations.....	37
Central Electronic Module (CEM) 1:3 .....	38
Data communication, High speed CAN .....	41
Data communication intermediate speed CAN, LHD...	42
Data communication intermediate speed CAN, RHD..	43
Data communication Local CAN.....	44
Data communication LIN 1:2 .....	45
Data communication MOST.....	47
Steering Wheel Module (SWM) .....	48

## Group 23 Fuel system

Engine management system, 4-Cyl. Turbo 1:2.....	49
Engine management system, 6-Cyl. Turbo 1:2.....	51
Engine management system, 5-Cyl. Diesel	
EURO5 1:3 .....	53
Emission control 4-Cyl. Turbo.....	56
Emission control 6-Cyl. ....	57

## Group 26 Cooling system

Cooling fan 4-Cyl. Turbo.....	58
Cooling fan 5-Cyl. Diesel EURO5.....	59
Cooling fan 6-Cyl. ....	60

## Group 27 Engine controls

Cruise control 4-Cyl. Turbo .....	61
Cruise control 5-Cyl. Diesel .....	62
Cruise control 6-Cyl. ....	63

## Group 32 Alternator and voltage regulator

Power supply 4-Cyl.....	64
Power supply 5-Cyl.&6-Cyl. ....	65

## Group 33 Starting system

Starting system 4-Cyl.....	66
Starting system, 5-Cyl. & 6-Cyl. ....	67

## Group 35 Lighting

High and low beam .....	68
High and low beam (Dual Xenon).....	69
Beam length adjustment, manual .....	70
Running/Parking light, Tail lights S60 .....	71
Running/Parking light, Tail lights V60 .....	72
Running/Parking light, Tail lights (Dual Xenon) S60 ...	73
Running/Parking light, Tail lights (Dual Xenon) V60 ...	74
Fog lights S60 .....	75
Fog lights V60 .....	76
Brake lights S60.....	77
Brake lights V60.....	78
Reversing lights S60 .....	79
Reversing lights V60 .....	80
Follow-me-home lighting LHD.....	81
Follow-me-home lighting RHD .....	82
Interior lighting, LHD 1:2 .....	83
Interior lighting, LHD 2:2 .....	84
Interior lighting, RHD 1:2.....	85
Active headlight .....	87
Lighting in door sill trims .....	88
Auxiliary lights.....	89

## Table of Contents 2:3

### Group 36 Additional electrical equipment

Rain sensor.....	90
Direction indicator and hazard warning flashers LHD S60.....	91
Direction indicator and hazard warning flashers LHD V60.....	92
Direction indicator and hazard warning flashers RHD S60.....	93
Direction indicator and hazard warning flashers RHD V60.....	94
Wiper/washer windshield.....	95
Washer headlights.....	96
Wiper/Washer rear windowV60.....	97
Horn.....	98
Keyless vehicle 1:2.....	99
Anti-theft alarm.....	101
Parking assistance.....	102
Collision warning with power brake booster.....	103
Tire pressure monitoring system (TPMS).....	104

### Group 37 Wiring and fuses

Diagnostics system.....	105
12 V outlet, S60.....	106
12 V outlet, V60.....	107
Cable harness towbar/tow hitch 13-pin S60.....	108
Cable harness towbar/tow hitch 13-pin V60.....	109

### Group 38 Instruments

Seat belt reminder.....	110
Driver information module.....	111

### Group 39 Other

Audio Premium 1:3.....	112
Audio 1:2.....	115
Cellular phone 1:2.....	117
DAB Radio.....	119
Multimedia monitor with DVD, Dual Screen (RSE)....	120
TV receiver / TV control module S60.....	121
TV receiver / TV control module V60.....	122
Bluetooth Handsfree.....	123
Navigation system and Traffic information, portable..	124
Satellite radio.....	125
Parking camera front.....	126
Parking camera rear.....	127
Parking camera wide angle front.....	128

### Group 43 Transmission

Transmission M66.....	129
Automatic transmission, TF-80SC AWD.....	130
Automatic transmission MPS6.....	131
Differential Electronic Module (DEM).....	132

### Group 55 Parking brake

Electric parking brake.....	133
-----------------------------	-----

### Group 59 Brake system

Brake control system & DSTC.....	134
----------------------------------	-----

### Group 64 Steering

Speed dependent power steering.....	135
-------------------------------------	-----

### Group 76 Shock absorbers

Four-C.....	136
-------------	-----

### Group 83 Doors and openings

Central locking front doors LHD.....	137
Central locking front doors RHD.....	138
Central locking rear doors.....	139
Central locking tailgate S60.....	140
Central locking tailgate V60.....	141
Central locking fuel filler flap.....	142
Signal receiver central locking.....	143
Power windows front doors LHD.....	144
Power windows front doors RHD.....	145
Power windows rear doors.....	146
Power sunroof.....	147

### Group 84 Exterior decorative elements, etc.

Power door mirrors LHD.....	148
Power door mirrors RHD.....	149
Heated door mirrors LHD.....	150
Heated door mirrors RHD.....	151
Blind spot information system LHD.....	152
Blind spot information system RHD.....	153
Heated rear window.....	154

# Table of Contents 3:3

## Group 85 Interior equipment

Power driver's seat with memory function, LHD .....	155
Power driver's seat with memory function, RHD .....	156
Power passenger seat, LHD .....	157
Power passenger seat, RHD .....	158
Heated front seats .....	159
Heated rear seat .....	160

## Group 87 Climate control system

Climate control system, 4-Cyl. 1:2 .....	161
Climate control system 5-Cyl. & 6-Cyl. 1:2 .....	163
Climate control system PTC-elements .....	165
Parking heater, auxiliary heater .....	166
Parking heater, remote start .....	167

## Group 88 Internal equipment

Rear-view mirror with automatic dimming .....	168
Supplemental restraint system 1:2 .....	169
Remote control opener garage door .....	171

## Group 89 Body other

Radiator masking blind .....	172
------------------------------	-----

## Connectors ..... 173

## Branching points .....204

## Cable harness routing in vehicle

Harness engine 4-Cyl. Turbo .....	219
Harness engine, 6-Cyl. Turbo .....	219

Harness engine, 2.0L Diesel .....	220
Harness engine, 2.4L Diesel .....	220
Engine compartment harness LHD .....	221
Engine compartment harness RHD .....	222
Harness dashboard, LHD .....	223
Harness Dashboard, RHD .....	224
Harness Floor, LHD S60 .....	225
Harness Floor, RHD S60 .....	226
Floor Harness, LHD V60 .....	227
Harness Floor, RHD V60 .....	228
Harness infotainment, LHD S60 .....	229
Harness infotainment, RHD S60 .....	230
Harness infotainment, LHD V60 .....	231
Harness infotainment, RHD V60 .....	232
Roof harness, S60 .....	233
Roof harness V60 .....	233
Center console harness .....	234
Tunnel harness .....	234
Harness front door, left .....	235
Harness front door, right .....	235
Harness rear door, left .....	236
Harness rear door, right .....	236
Trunk lid/tailgate harness, S60 .....	237
Trunk lid/tailgate harness, V60 .....	237
Harnesses rear axle .....	238

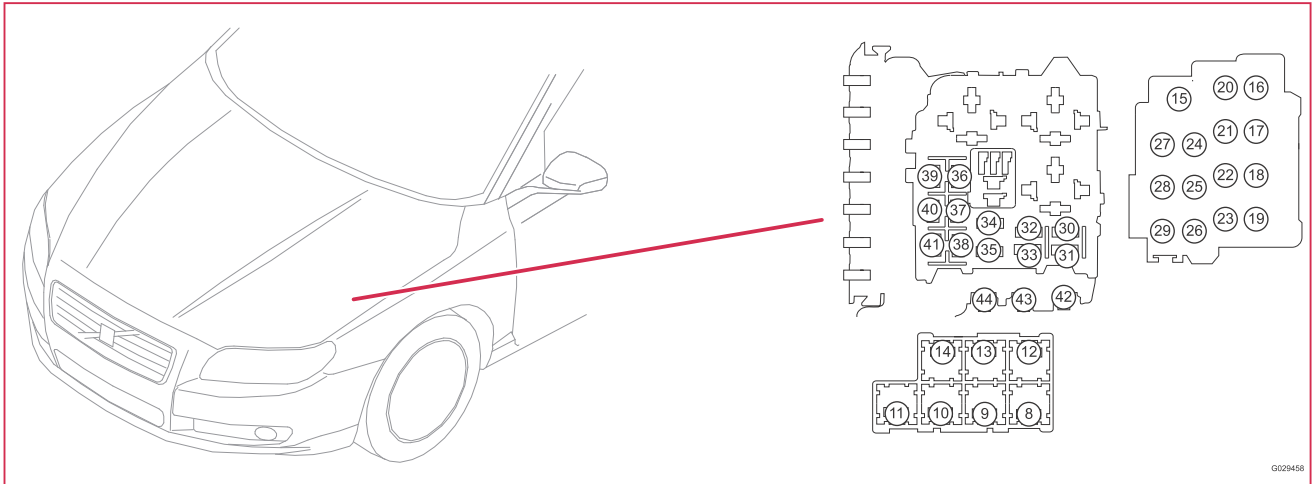
## Component illustrations .....239

## Index 1:3 .....293

## List of components 1:6 .....295

# Fuses

## Distribution box in engine compartment F27-F36



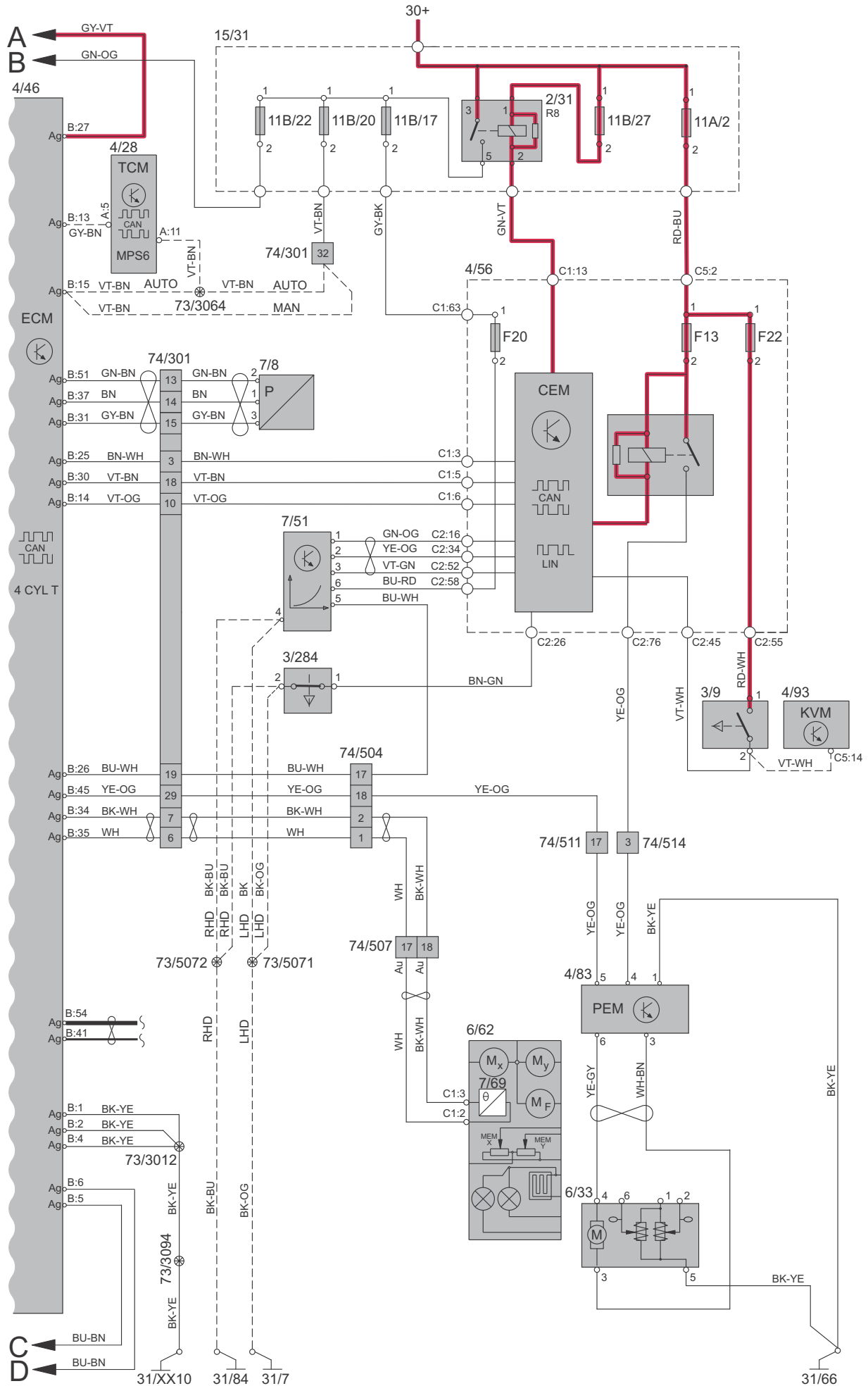
G029458

### 15/31 Distribution box in engine compartment

No.	No.	Fuse function	via	A	
F27	11B/27	2/31 Relay, 15-feed	-	5	
F28	11B/28	2/64 Relay auxiliary lights	-	20	
		10/65 Auxiliary light, front right	2/64		
		10/69 Auxiliary light, front left	2/64		
F29	11B/29	2/17 Relay, horn	-	15	
		16/10 Horn 1	2/17		
		16/11 Horn 2	-		
F30	11B/30	2/32 Main relay, engine management system	-	10	
		4/46 Engine Control Module (ECM)	-		
F31	11B/31	4/28 Transmission Control Module (TCM)	-	15	
F32	11B/32	8/3 Electromagnetic clutch, climate control system	2/22	15	
F33	11B/33	2/22 Relay, climate control system	-	5	
F34	11B/34	6/25 Starter motor	2/35	30	
F35	11B/35	4/109 Control module glow plug, 5-Cyl. Diesel	-	10	
		20/3-6 Spark plug with ignition coil, 4-Cyl. Turbo	-		
		20/3-8 Spark plug with ignition coil, 6-Cyl. Turbo	-		20
		20/16 Capacitor, 6-Cyl. Turbo	-		
F36	11B/36	4/46 Engine Control Module (ECM), 5-Cyl. Diesel	-	15	
		4/46 Engine control module (ECM), 4-Cyl. Turbo & 6-Cyl. Turbo	-	10	
continues					

# Group 23 Fuel system

## Engine management system, 4-Cyl. Turbo 2:2



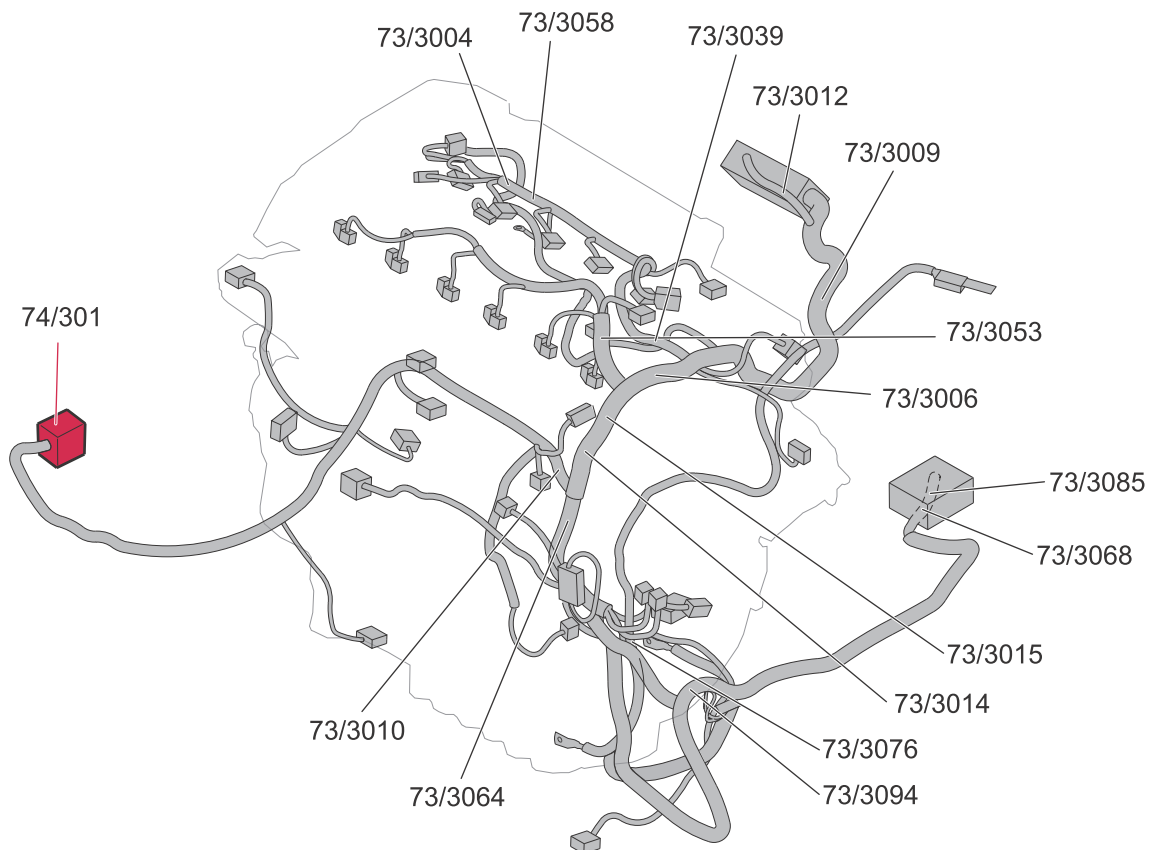
G042474

## Cable harness routing in vehicle Harness engine 4-Cyl. Turbo



105127

## Cable harness routing in vehicle Harness engine, 6-Cyl. Turbo



101402\_T