



Volvo S60
(2007-2008)



Wiring Diagrams and Electric Model Year 2008

VOLVO S60

WIRING DIAGRAM 2008



TP 39112202

Table of Contents 1:2

Vehicles with SRS (Airbag)/SIPS bag/IC (Inflatable curtain)	2
Explanations	5
Abbreviations	5
How to use the wiring diagrams 1:2	6

Overview

Electrical distribution 1:2	8
-----------------------------------	---

Fuses

Engine compartment 11A/1-5	10
Engine compartment 11B/1-12	11
Engine compartment 11B/13-15	12
Engine compartment 11B/16-20	13
Passenger compartment 11C/1-6	14
Passenger compartment 11C/7-13	15
Fuses in passenger compartment 11O/1-2	16
Cargo compartment 11E	17
Cargo compartment 11L	18
Central Electronic Module (CEM) F1-F15	19
Central Electronic Module (CEM) F16-F34	20
Rear Electronic Module (REM) F1-F13	21
Rear Electronic Module (REM) F17-F38	22

Relays

Ignition switch and relays	23
Engine compartment FMA1 - FST3	24
Other relays	25

Ground connections

Overview	26
31/1 - 31/44	27
31/46 - 31/67	28
31/70 - 31/73	29
31/83 - 31/88	30
31/89 - 31/93	31
31/94 - 31/102	32
31/120	33

Control modules

Overview of locations	34
Overview of designations	35
Central Electronic Module (CEM) 1:2	36
Rear Electronic Module (REM) 1:2	38
High speed CAN data communication	40
Low speed CAN data communication	41
LIN data communication 1:2	42

Group 23 Fuel system

Engine management system, 5-cyl. 1:2	44
Engine management system, 5-cyl. Turbo 1:2	46
Engine management system, Bi-Fuel 1:2	48

Engine management system, 5-cyl. Diesel 1:3	50
Emission control, 5-cyl.	53
Emission control, 5-cyl. Turbo	54

Group 26 Cooling system

Cooling fan	55
Cooling fan, Diesel	56

Group 27 Engine controls

Cruise control	57
Cruise control, Diesel	58

Group 32 Alternator and voltage regulator

Power supply	59
--------------------	----

Group 33 Starting system

Starting system	60
-----------------------	----

Group 35 Lighting

High and low beam (Bi-Xenon) & Day running lights ...	61
Active headlights (ABL)	62
Fog lights	63
Brake lights	64
Reversing lights	65
Running/parking light, tail lights & license plate lighting	66
Follow-me-home lighting	67
Interior lighting	68
Beam length adjustment	69
Auxiliary lights	70

Group 36 Additional electrical equipment

Rain sensor	71
Direction indicators and hazard warning flashers	72
Wiper/washer, windshield	73
Wiper/washer, headlights	74
High pressure headlight washer	75
Horn	76
Electronic immobilizer	77
Anti-theft alarm	78
Parking assistance	79
Accessory Electronic Module (AEM) 1:2	80
Alcolock	82

Group 37 Wiring and fuses

Diagnostics system	83
12V outlet	84
12V outlet, cargo compartment	85
Tow hitch cable harness, 4-pin	86
Tow hitch cable harness, 7-pin	87
Tow hitch cable harness, 13-pin	88

Table of Contents 2:2

Group 38 Instruments

Seat belt reminder	89
Driver information module.....	90
Driver information module, Diesel.....	91
Driver information module, Bi-Fuel	92

Group 39 Other

Audio	93
Audio with auxiliary amplifier 1:2	94
Mobile phone	96
Road Traffic Information module (RTI)	97
Road Traffic Information (RTI) & CD changer	98
Navigation system, portable	99
Handsfree	100
Handsfree MAX	101
CD changer.....	102
MP3 player.....	103
Satellite radio.....	104

Group 43 Transmission

Automatic transmission AW55-51SN/AW51 AWD	105
Automatic transmission TF-80SC/ TF-80SC AWD, Diesel	106
Geartronic AW55-51SN/AW51 AWD.....	107
Shift lock AW51 & Manual	108
Differential Electronic Module (DEM).....	109

Group 59 Brake system

Brake Control Module (BCM).....	110
---------------------------------	-----

Group 64 Steering

Electronic power steering	111
---------------------------------	-----

Group 76 Shock absorbers

Four-C	112
--------------	-----

Group 83 Doors and openings

Central locking	113
Power windows.....	114
Power sunroof.....	115

Group 84 Exterior decorative elements etc.

Power door mirrors	116
Heated door mirrors.....	117

Heated rear window.....	118
Blind spot information system.....	119

Group 85 Interior equipment

Power driver's seat	120
Power passenger seat	121
Heated seats.....	122

Group 87 Climate control system, Accessory

Relay, electric engine heater	123
Climate control system 1:2.....	124
Climate control system Diesel 1:2	126
Parking heater, auxiliary heater	128
Parking heater, remote start	129
Parking heater, Call start	130
Short stop heater	131

Group 88 Internal equipment

Supplemental Restraint System (SRS).....	132
Electrically adjustable head restraint	133
Remote garage door opener.....	134

Connectors..... 135

Branching points 153

Cable harness routing in vehicle

Engine harness, Gasoline.....	162
Engine harness, Diesel.....	163
Engine compartment harness LHD.....	164
Engine compartment harness RHD	165
Passenger compartment harness LHD.....	166
Passenger compartment harness RHD	167
Cargo compartment harness	168
Roof harness	169
Trunk/tailgate harness	170
Door harness	171
Harnesses Bi-Fuel	172

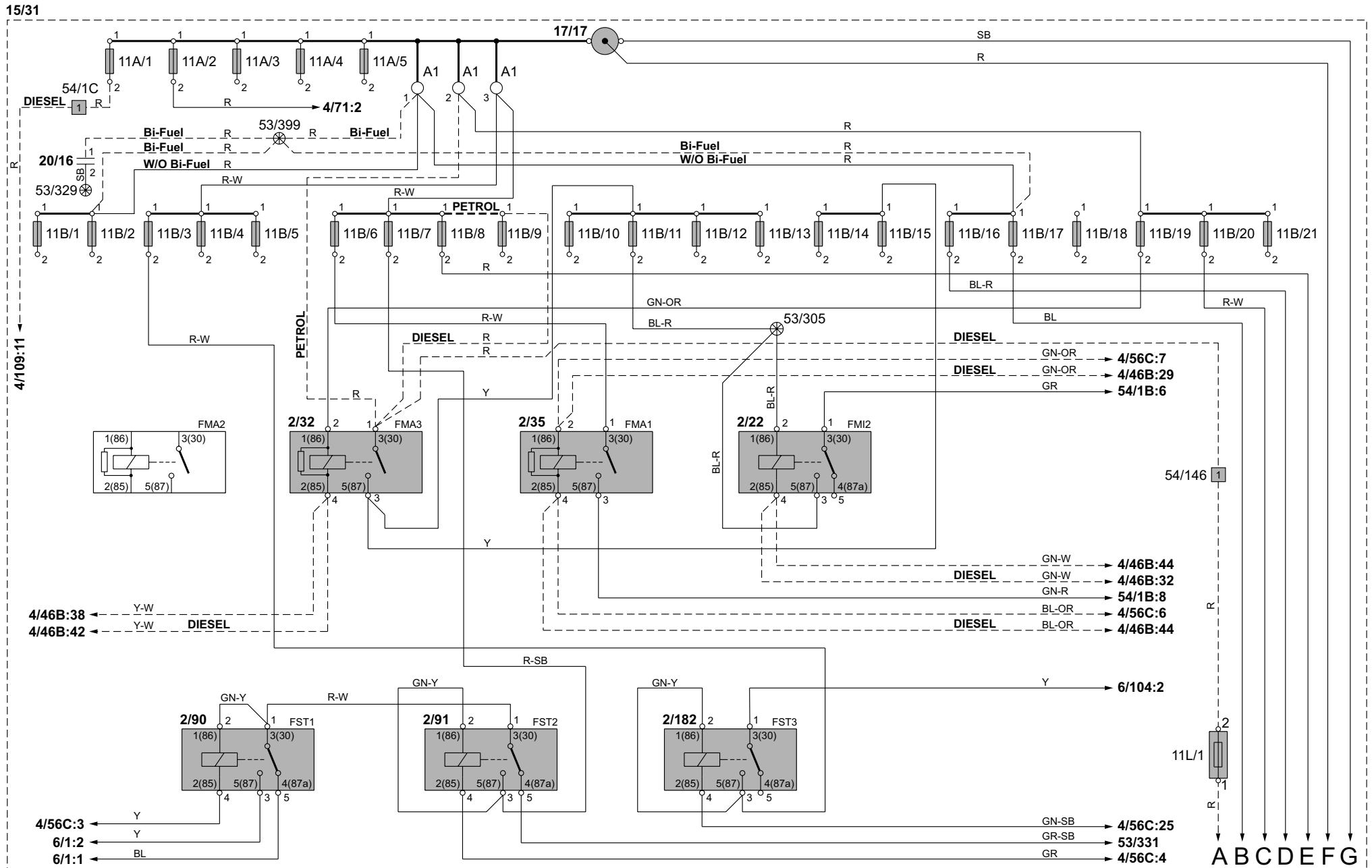
Component pictures..... 173

Index 1:2 218

List of components 1:5 220

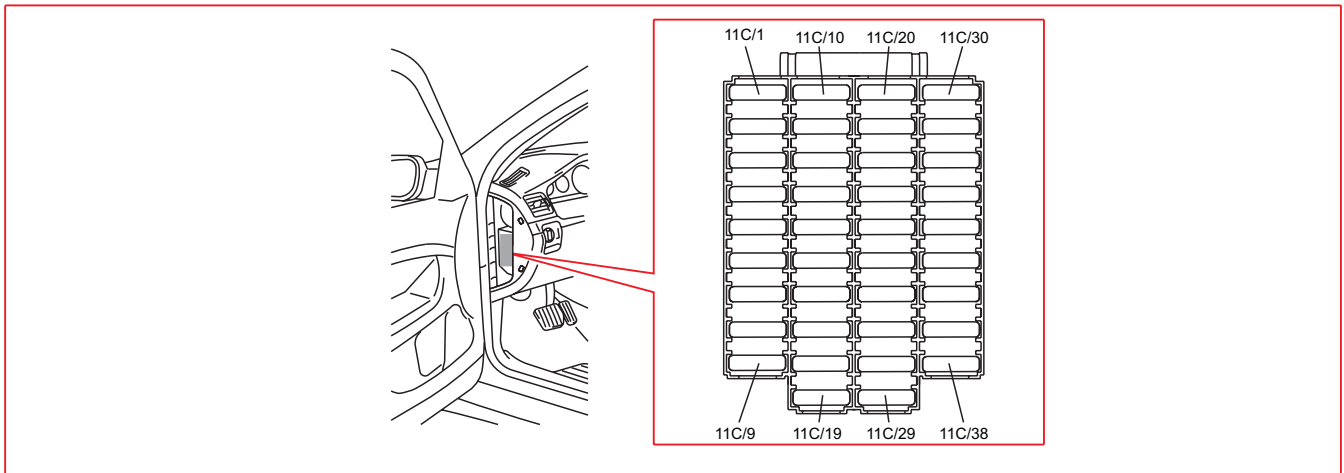
Overview

Electrical distribution 1:2



Fuses

Passenger compartment 11C/7-13

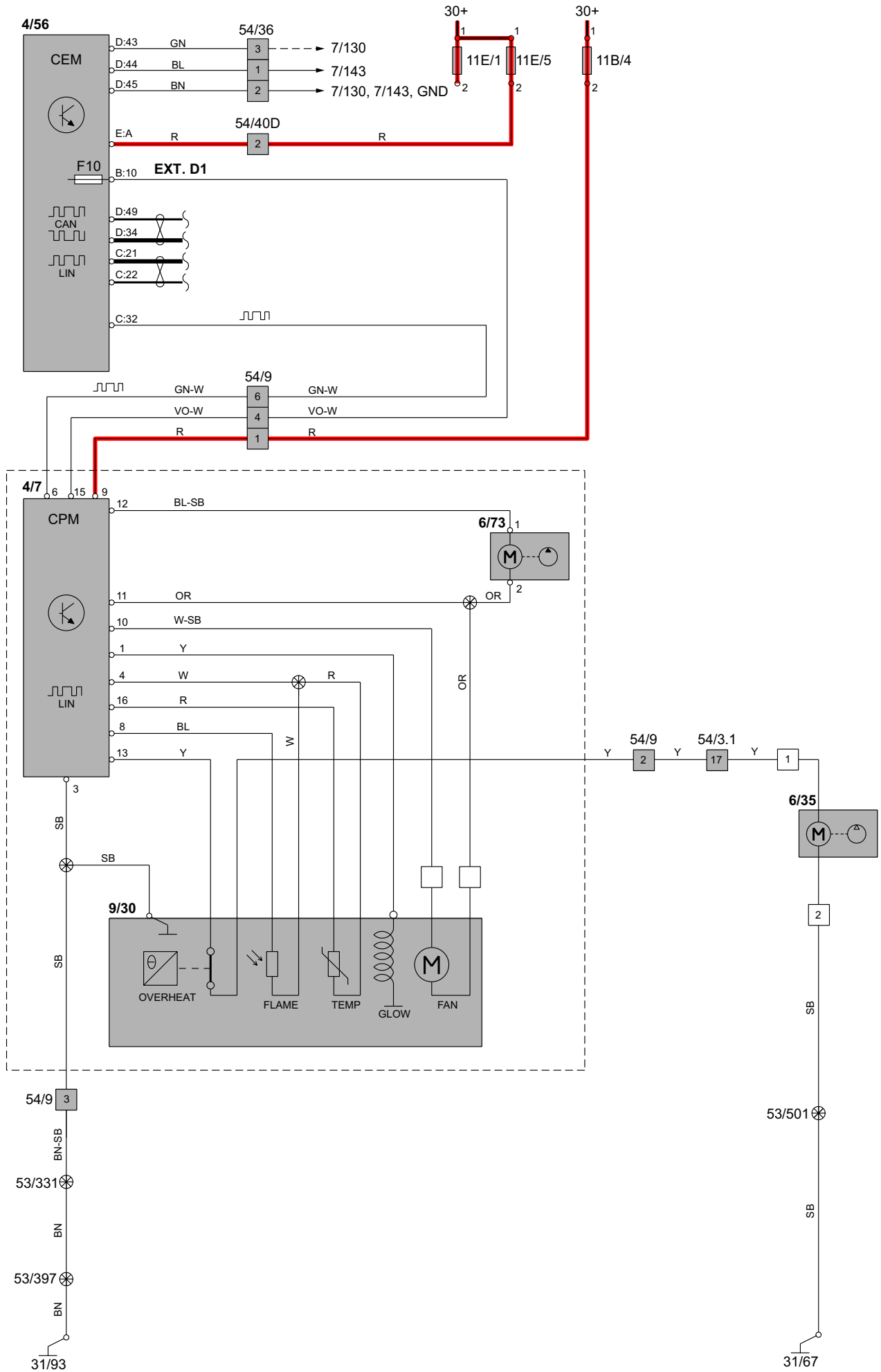


11C Fuses in the passenger compartment

No.	Fuse function	via	A
7	6/15 Sunroof motor	4/33	15
8	3/157 Passenger Airbag Cut Off Switch (PACOS)	3/1	7,5
	4/9 Supplemental Restraint System (SRS)	3/1	
	4/28 Transmission Control Module (TCM)	3/1, 4/56	
	4/46 Engine Control Module (ECM)	3/1, 4/56	
	4/56 Central Electronic Module (CEM)	3/1	
	4/58 Rear Electronic Module (REM)	3/1	
	11O/1 Fuse in extra fuse holder, passenger compartment	-	
	11O/2 Fuse in extra fuse holder, passenger compartment	3/1	
16/65 Antenna ring/ignition switch illumination	3/1		
9	3/111 Light Switch Module (LSM)	-	5
	3/254 Steering Wheel Module (SWM)	-	
	4/68 Steering Wheel Angle Sensor Module (SAS)	3/254	
	17/13 Data link connector	-	
10	16/1 Audio Module (AUM)	-	20
	16/93 Control module, mobile phone handsfree	-	
11	16/2 Amplifier	-	30
12	16/46 RTI display	-	10
13	16/60 Phone Module (PHM)	-	5

Group 87 Climate control system

Parking heater, auxiliary heater



Cable harness routing in vehicle

Engine harness, Gasoline

