



**Volvo S60**  
(2006-2007)



**Wiring Diagrams and Electric Model Year 2007**

**VOLVO**  
for life

VOLVO  
**WIRING DIAGRAM S60/S60R**

TP 3997202

**2007**

# Table of Contents 1:2

Vehicles with SRS (Airbag)/SIPS bag/	
IC (Inflatable curtain) .....	2
Explanations .....	5
Abbreviations .....	5
How to use the wiring diagrams 1:2.....	6

## Overview

Electrical distribution 1:2.....	8
----------------------------------	---

## Fuses

Engine compartment 11A/1-5.....	10
Engine compartment 11B/1-12.....	11
Engine compartment 11B/13-15.....	12
Engine compartment 11B/16-20.....	13
Passenger compartment 11C/1-6.....	14
Passenger compartment 11C/7-13.....	15
Battery 11E - 11L.....	16
Central Electronic Module (CEM) F1-F15.....	17
Central Electronic Module (CEM) F16-F34.....	18
Rear Electronic Module (REM) F1-F13 .....	19
Rear Electronic Module (REM) F17-F38 .....	20

## Relays

Ignition switch and relays.....	21
Engine compartment FMA1 - FST3.....	22
Other relays .....	23

## Ground connections

Overview.....	24
31/1 - 31/44 .....	25
31/46 - 31/67 .....	26
31/70 - 31/73 .....	27
31/83 - 31/88 .....	28
31/89 - 31/93 .....	29
31/94 - 31/102 .....	30
31/120 .....	31

## Control modules

Overview of locations.....	32
Overview of designations.....	33
Central Electronic Module (CEM) 1:2 .....	34
Rear Electronic Module (REM) 1:2.....	36
High speed CAN data communication.....	38
Low speed CAN data communication.....	39
LIN data communication 1:2.....	40

## Group 23 Fuel system

Engine management system, 5-cyl. 1:2.....	42
Engine management system, 5-cyl. Turbo 1:2 .....	44
Engine management system, Bi-Fuel 1:2.....	46
Engine management system, 5-cyl. Diesel 1:3.....	48

Emission control, 5-cyl.....	51
Emission control, 5-cyl. Turbo.....	52

## Group 26 Cooling system

Cooling fan.....	53
Cooling fan, Diesel.....	54

## Group 27 Engine control

Cruise control.....	55
Cruise control, Diesel.....	56

## Group 32 Generator and voltage regulator

Power supply .....	57
--------------------	----

## Group 33 Starting system

Starting system .....	58
-----------------------	----

## Group 35 Lighting

High and low beam (Bi-Xenon) & daytime running lights .....	59
Active headlights (ABL).....	60
Fog lights .....	61
Brake lights .....	62
Reversing lights .....	63
Running/parking lights, tail lights & license plate lighting .....	64
Follow-me-home lighting.....	65
Interior lighting .....	66
Beam length adjustment .....	67
Auxiliary lights.....	68

## Group 36 Additional electrical equipment

Rain sensor.....	69
Direction indicator and hazard warning flashers.....	70
Wiper/washer, windshield .....	71
Wiper/washer, headlights.....	72
High pressure headlight washer .....	73
Horn .....	74
Electronic immobilizer .....	75
Anti-theft alarm .....	76
Parking assistance.....	77
Accessory Electronic Module (AEM) 1:2.....	78

## Group 37 Wiring and fuses

Diagnostics system .....	80
12V outlet.....	81
12V outlet, cargo compartment.....	82
Tow hitch cable harness, 4-pin .....	83
Tow hitch cable harness, 7-pin .....	84
Tow hitch cable harness, 13-pin .....	85

## Table of Contents 2:2

### Group 38 Instruments

Seat belt reminder .....	86
Driver information module.....	87
Driver information module, Diesel.....	88
Driver information module, Bi-Fuel .....	89

### Group 39 Other

Audio with auxiliary amplifier 1:2 .....	90
Audio .....	92
Mobile phone .....	93
Road Traffic Information module (RTI) .....	94
Road Traffic Information module (RTI) & CD changer.....	95
Turn-by-turn navigation system .....	96
Handsfree .....	97
Handsfree MAX .....	98
CD changer.....	99
MP3 player.....	100
Satellite radio.....	101

### Group 43 Transmission

Automatic transmission AW55-51SN/AW51 AWD ....	102
Automatic transmission TF-80SC AWD.....	103
Automatic transmission TF-80SC/TF-80SC AWD Diesel .....	104
Geartronic.....	105
Shift lock.....	106
Differential Electronic Module (DEM).....	107

### Group 59 Brake system

Brake Control Module (BCM).....	108
---------------------------------	-----

### Group 64 Steering

Electronic power steering .....	109
---------------------------------	-----

### Group 76 Shock absorbers

Four-C .....	110
--------------	-----

### Group 83 Doors and openings

Central locking .....	111
Power windows.....	112
Power sunroof.....	113

### Group 84 Exterior decorative elements etc.

Power door mirrors .....	114
Heated door mirrors .....	115
Heated rear window .....	116
Power door mirrors with camera function .....	117

### Group 85 Interior equipment

Power driver's seat .....	118
Power passenger seat .....	119
Heated seats.....	120

### Group 87 Climate control system

Relay, electric engine heater .....	121
Climate control system 1:2.....	122
Climate control system Diesel 1:2 .....	124
Parking heater, auxiliary heater .....	126
Parking heater, remote start .....	127
Parking heater, Call start .....	128
Short stop heater .....	129

### Group 88 Internal equipment

Supplemental Restraint System (SRS).....	130
Electrically adjustable head restraint .....	131
Remote garage door opener.....	132

### Connectors..... 133

### Branching points .....151

### Cable harness routing in vehicle

Engine harness, Gasoline.....	160
Engine harness, Diesel.....	161
Engine compartment harness, LHD.....	162
Engine compartment harness, RHD .....	163
Passenger compartment harness, LHD.....	164
Passenger compartment harness, RHD .....	165
Cargo compartment harness .....	166
Roof harness .....	167
Trunk lid/tailgate harness.....	168
Door harness .....	169
Bi-Fuel harness.....	170

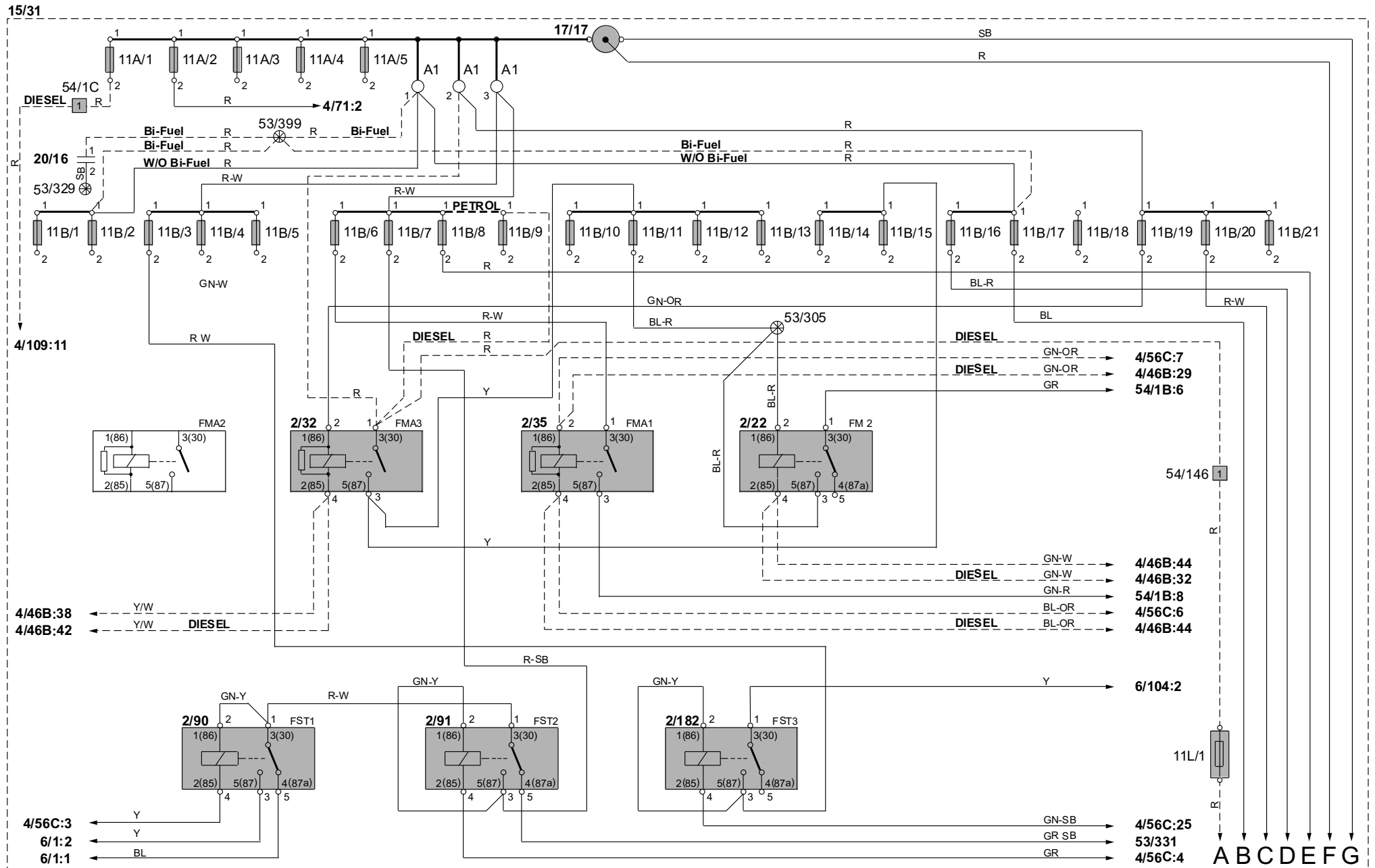
### Component illustrations ..... 171

### Index 1:2 ..... 217

### List of components 1:6 ..... 219

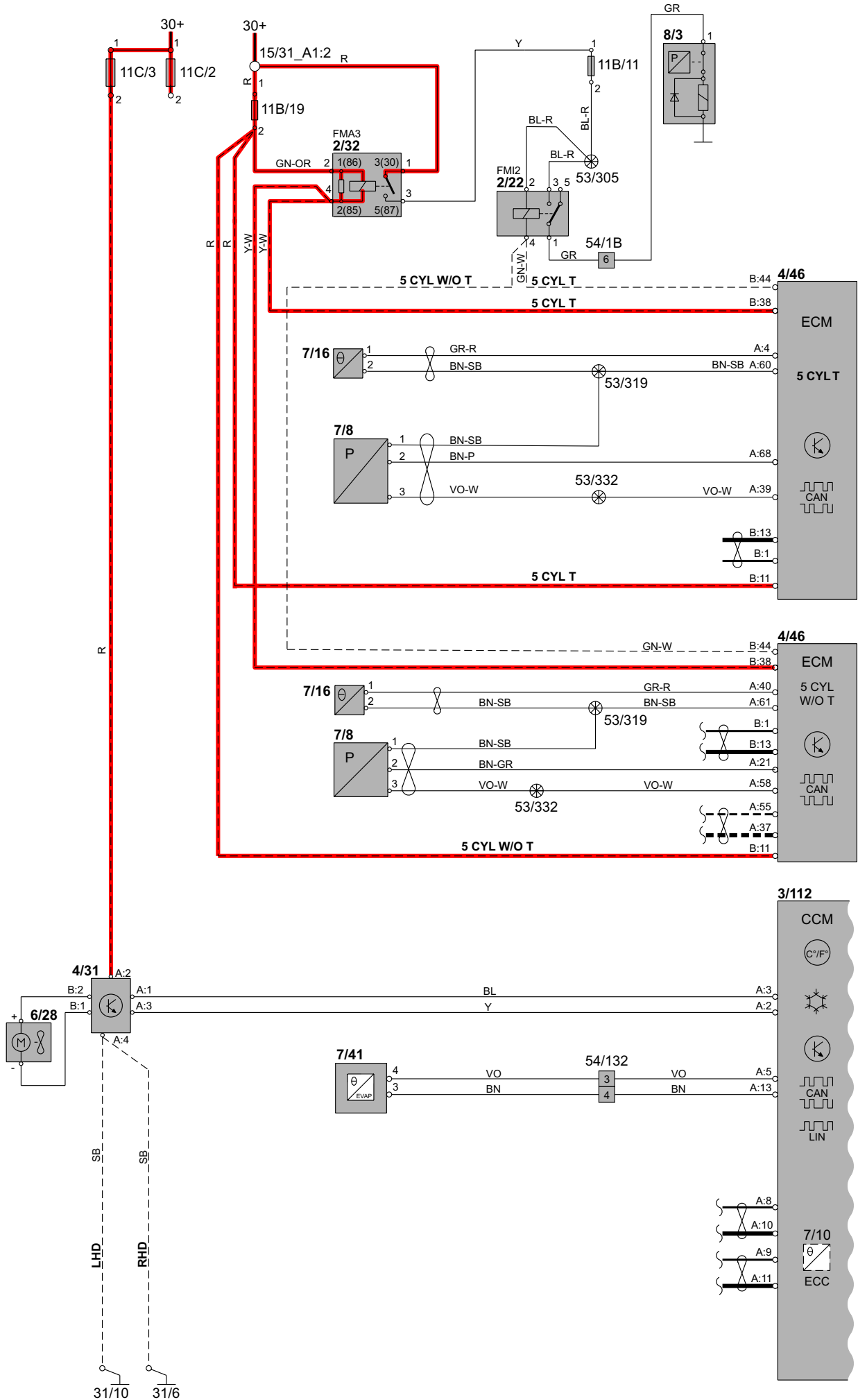
# Overview

## Electrical distribution 1:2



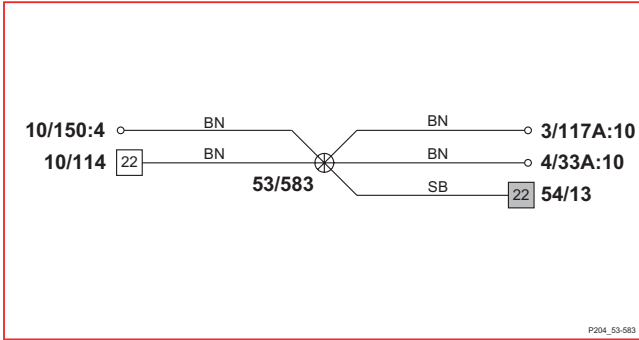
# Group 87 Climate control system

## Climate control system 1:2



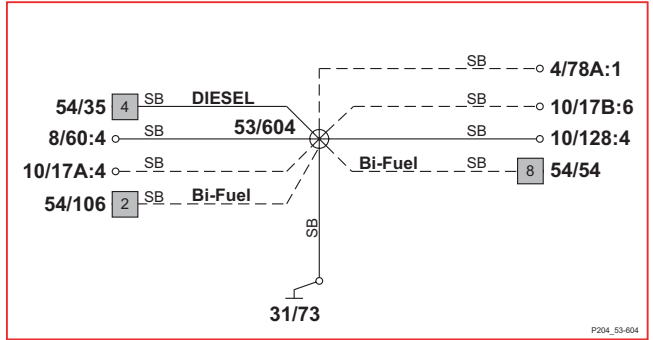
# Branching points 53/583 - 53/734

**53/583**



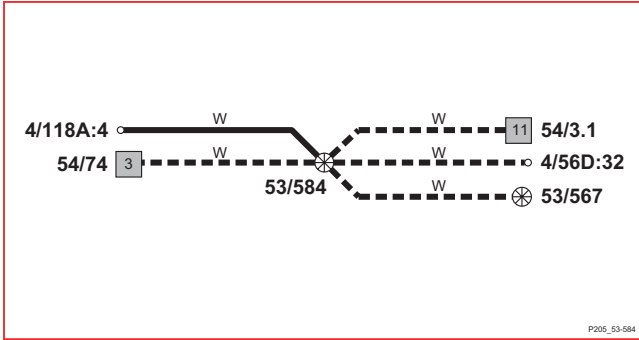
P204\_53-583

**53/604**



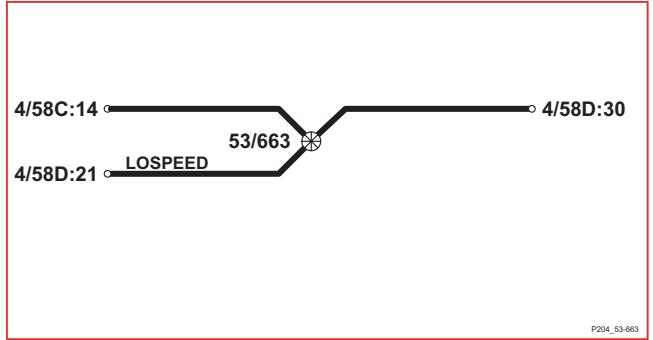
P204\_53-604

**53/584**



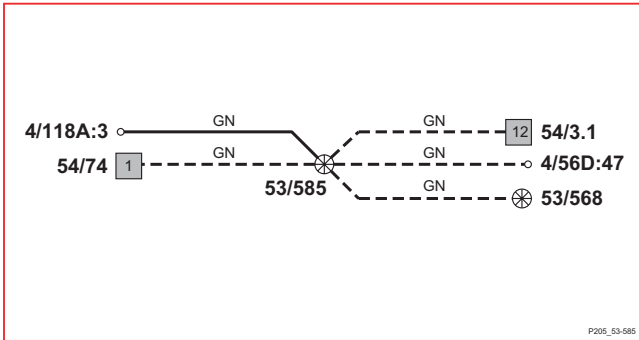
P205\_53-584

**53/663**



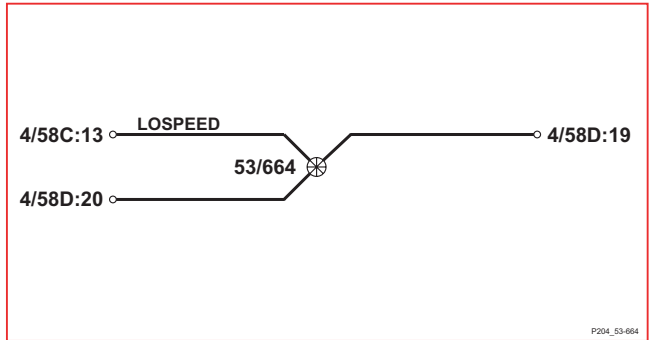
P204\_53-663

**53/585**



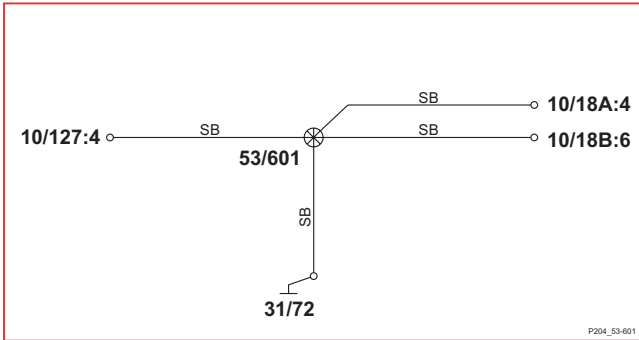
P205\_53-585

**53/664**



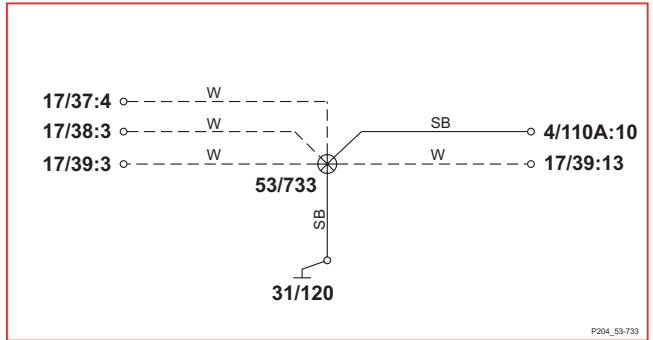
P204\_53-664

**53/601**



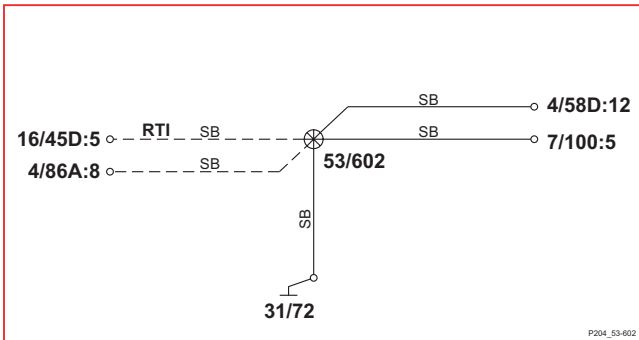
P204\_53-601

**53/733**



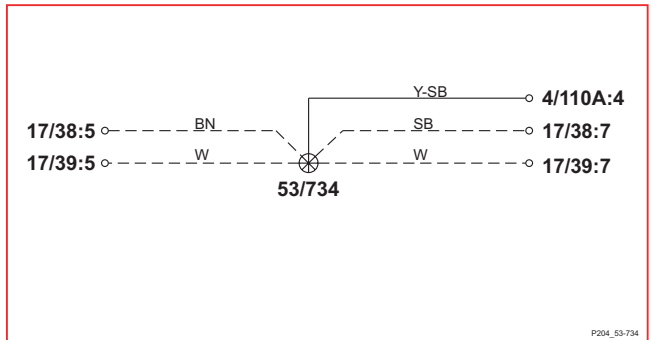
P204\_53-733

**53/602**



P204\_53-602

**53/734**



P204\_53-734

# Cable harness routing in vehicle

## Engine harness, Gasoline

