



Volvo S60
(2000-2001)



Wiring Diagrams and Electric Model Year 2001

Abbreviations	3
How to use the wiring diagram	4

Electrical distribution

Overview	6
Fuses in the engine compartment	8
Fuses in the passenger compartment	11
Fuses in cargo compartment	15
Ignition switch with relays	17
Relays in the engine compartment	18
Relays in the passenger compartment	19
Relays in the cargo compartment	20
Ground connection	21
Control unit overview	24
Central Electronic Module CEM	26
Rear Electronic Module REM	28
Data communication	30

Group 23

Engine management system Denso	32
Engine management system ME7	34
Emission control Denso	36
Emission control ME7	37

Group 26

Electric cooling fan	38
----------------------------	----

Group 27

Cruise control	39
----------------------	----

Group 32

Power supply	40
--------------------	----

Group 33

Starting system	41
-----------------------	----

Group 35

High beam, low beam, and auxiliary light wiring	42
Fog light	43
Parking light, tail lights and license plate lighting	44
Brake lights	45
Reversing lights	46
Interior lighting	47

Group 36

Indicators and warning lights	48
Beam length adjustment	49
Instrument and control lighting	50
Safety lighting	51
Horn	52
Wiper/Washer, Windscreen	53
Wiper/Washer, Headlights	54
Rain sensor	55
Cigarette lighter	56
Electronic immobilizer	57
Anti-theft alarm	58

Group 37

Diagnostics system	59
Towing bracket wiring	60
Auxiliary heater	61
Parking heater	61
12V outlet, cargo compartment	62
Seat belt reminder	63
Combined instrument panel	64
Radio without extra amplifier	65
Radio with extra amplifier 66	66
Road Traffic Information RTI	68
Mobile telephone	69

Group 43

Electronically controlled automatic transmission, AW 55-50	70
Geartronic	71
Shift lock	72

Group 59

ABS and STC	73
ABS and DSTC	74

Group 64

Electronic power steering	75
---------------------------------	----

Group 83

Power windows	76
Central lock	77

Group 84

Heated rear window	78
Power sunroof	79
Heated door mirrors	80
Power door mirrors	81

Group 85

Heated seats	82
Power driver's seat	83
Power passenger seat	84

Group 87

Standard heater	85
Manual climate control MCC	86
Electronic climate control ECC	87

Group 88

Electrically adjustable head restraint	88
SRS Supplemental Restraint System	89
Remote controlled garage opening	90

Connector

54/3LA - 54/3LB	91
54/3LC - 54/3LD	92
54/3LE - 54/3LF	93
54/3LG - 54/4	94
54/8 - 54/10	95

Order number TP 3955032
Replaces earlier book TP 3955031

54/11 - 54/12	96
54/13	97
54/14 - 54/16	98
54/20 - 54/21	99
54/24 - 54/25	100
54/40A - 54/40B	101
54/43A - 54/50	102
54/51 - 54/53	103
54/53 - 54/56	104

Junction points

53/301 - 53/328	105
53/329 - 53/360	106
53/365 - 53/403	107
53/405 - 53/430	108
53/431 - 53/448	109
53/500 - 53/519	110
53/520 - 53/531	111
53/532 - 53/625	112

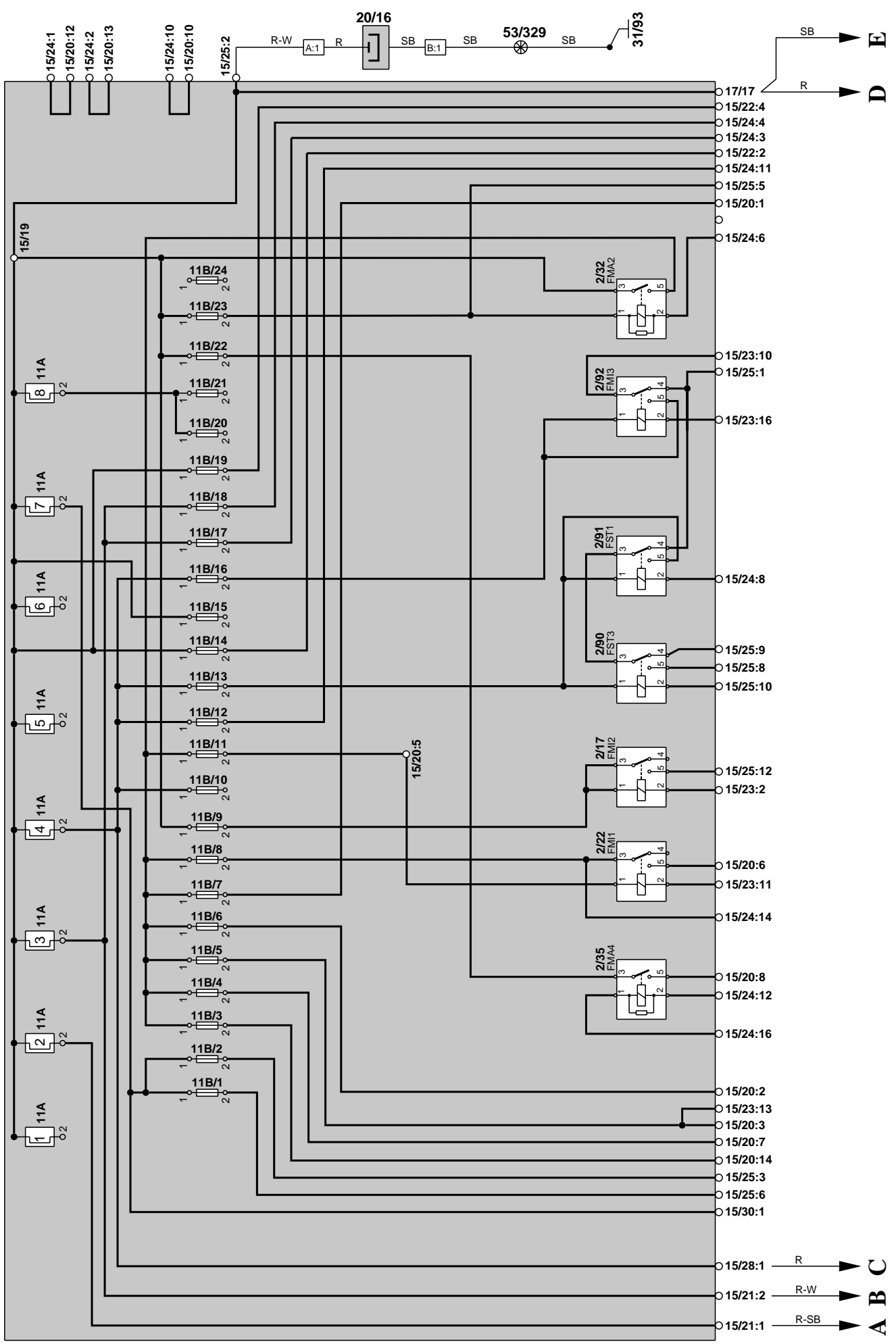
Cable harness routing in vehicle

Engine harness	113
Engine compartment harness LHD	114
Engine compartment harness RHD	115
Passenger compartment harness, front LHD	116
Passenger compartment harness, front RHD	117
Passenger compartment harness, rear	118
Baggage compartment harness	119
Roof harness, boot lid	120
Door harness	121

Component illustration

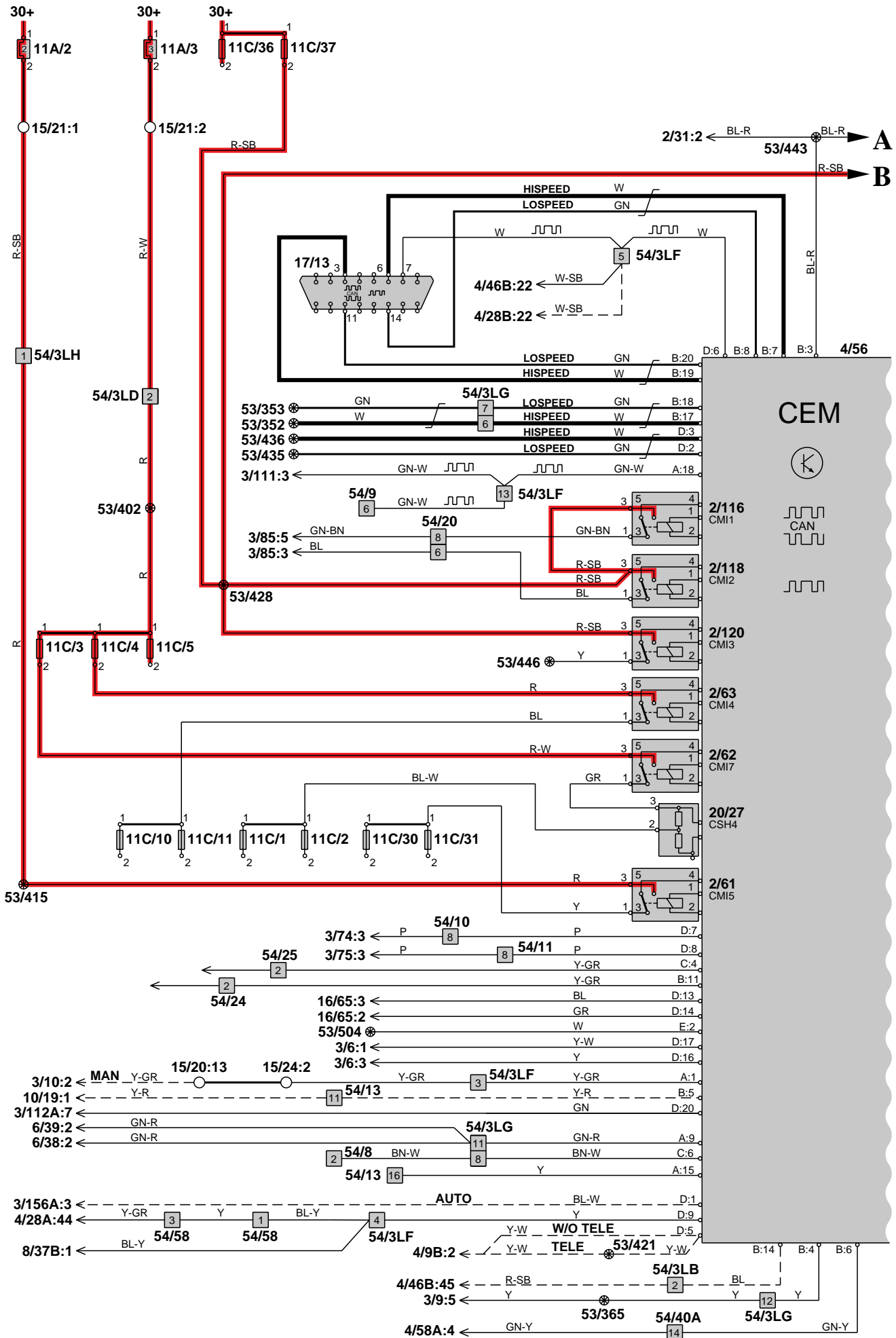
1/1 - 2/52	122
2/58 - 2/90	123
2/91 - 2/119	124
2/120 - 3/25	125
3/26 - 3/78	126
3/80 - 3/127	127
3/130 - 4/7	128
4/9 - 4/70	129
4/71 - 6/15	130
6/16 - 6/37	131
6/38 - 6/95	132
6/96 - 7/15	133
7/16 - 7/73	134
7/74 - 7/122	135
7/123 - 7/159	136
8/3 - 8/41	137
8/44 - 9/2	138
9/12 - 10/14	139
10/15 - 10/50	140
10/51 - 10/125	141
10/126 - 11E	142
15/20 - 16/2	143
16/3 - 16/46	144
16/47 - 16/73	145
16/74 - 20/27	146
20/28 - 31/5	147
31/6 - 31/84	148
31/88 - 54/3	149
54/8 - 54/24	150
54/25 - 54/56	151

Electrical distribution Overview



Electrical distribution

Central Electronic Module CEM



Cable harness routing in vehicle

Engine harness

