



Volvo S40
(2010-2011)



Wiring Diagrams and Electric Model year 2011



VOLVO C30, S40 (04-), V50 & C70 (06-)

WIRING DIAGRAM 2011



TP 39178202

Table of Contents 1:3

Vehicles with SRS (Airbag)/SIPS bag/	
IC (Inflatable curtain)	2
Abbreviations	6
How to use the wiring diagrams 1:2.....	7
Electrical distribution 1:2.....	9

Fuses

Engine compartment distribution box F1-F10.....	11
Distribution box in engine compartment F11-F20.....	12
Distribution box in engine compartment F21-F31.....	13
Distribution box in engine compartment F32-F34.....	14
Distribution box in engine compartment F35-FH1	15
Main fuse box battery	16
Fuse holder midi	17
Central Electronic Module (CEM) F43-F48.....	18
Central Electronic Module (CEM) F49-F61.....	19
Central Electronic Module (CEM) F62-F69.....	20
Central Electronic Module (CEM) F73-F85.....	21
Central Electronic Module (CEM) F86.....	22
Battery PF1-PF2.....	23

Relays

Ignition switch and relays.....	24
Distribution box in engine compartment R1-R14	25
Engine compartment.....	26
Central electronic module (CEM) R15-R18	27
Central electronic module (CEM) R1-R11B.....	28
Other relays	29

Ground connections

Overview.....	30
31/3 - 31/10 cont.....	31
31/10 - 31/52	32
31/66 - 31/80	33
31/83 - 31/110 cont.....	34
31/110 - 31/119	35
31/131 - chassis.....	36

Control modules

Overview locations.....	37
Overview designations.....	38
Central electronic module (CEM) 1:2.....	39
Data communication, Low speed CAN 1:2.....	41
Data communication high speed CAN.....	43
Data communication MOST.....	44
Data communication, LIN 1:2	45
Ignition switch (SCU)	47
Accessory electronic module (AEM).....	48

Group 23 Fuel system

Engine management system, 4-Cyl. 1.6l 1:2.....	49
--	----

Engine management system, 4-Cyl. 2.0l 1:2.....	51
Engine management system, 5-Cyl. Turbo 1:2.....	53
Engine management system Diesel, 4-Cyl. 1.6l 1:2	55
Engine management system Diesel, 4-Cyl. 1.6l 1:2	57
Engine management system Diesel, 5-Cyl. 2.0l 1:3	59
Emission control 4-Cyl. 1.6l	62
Emission control 4-Cyl. 2.0l	63
Emission control 5-Cyl.	64

Group 26 Cooling system

Cooling fan.....	65
------------------	----

Group 27 Engine controls

Cruise control 4-Cyl.	66
Cruise control 5-Cyl.	67
Start/stop function	68

Group 32 Alternator and voltage regulator

Power supply 4-Cyl.....	69
Power supply 5-Cyl.....	70

Group 33 Starting system

Starting system 4-Cyl.....	71
Starting system 5-Cyl.....	72

Group 35 Lighting

High and low beam	73
Active headlights, (Dual Xenon) S40/V50.....	74
High and low beam, (Dual Xenon) C30/C70.....	75
Active headlight, (Dual Xenon) C30/C70	76
Running/Parking light, Tail lights S40/V50.....	77
Running/Parking light, Tail light (Dual Xenon) S40/V50	78
Running/Parking lights, Tail lights C30/C70.....	79
Running/Parking lights, Tail lights (Dual Xenon) C30/C70	80
Brake lights S40/V50	81
Brake lights C30/C70	82
Reversing lights S40/V50.....	83
Reversing lights C30/C70	84
Fog lights S40/V50	85
Fog lights C30/C70	86
Fog lights RHD Japan S40/V50	87
Fog lights RHD Japan C30/C70.....	88
Interior lighting C30/S40/V50 1:2.....	89
Interior lighting C70 1:2.....	91
Follow-me-home lighting.....	93
Instrument and control illumination	94
Auxiliary lights.....	95

Table of Contents 2:3

Group 36 Additional electrical equipment

Direction indicator and hazard warning flashers S40/V50	96
Direction indicator and hazard warning flashers (Dual Xenon) S40/V50	97
Direction indicator and hazard warning flashers C30/C70	98
Direction indicator and hazard warning flashers (Dual Xenon) C30/C70	99
Wiper/washer windshield	100
Washer headlights	101
Wiper/washer rear window C30/V50	102
Rain sensor	103
Parking assistance	104
Keyless vehicle C30/S40/V50 1:2	105
Keyless vehicle C70 1:2	107
Immobilizer/Steering column lock module (SCL)	109
Horn	110
Anti-theft alarm C30	111
Anti-theft alarm S40/V50	112
Anti-theft alarm C70	113
Alcohol lock	114
Accessory Electronic Module (AEM) C30	115
Accessory Electronic Module (AEM), S40/V50/C70 ..	116

Group 37 Wiring and fuses

12V outlet C30/S40/V50	117
12V outlet, C70	118
Diagnostics system	119
Cable harness towbar/tow hitch 4-pin S40/V50	120
Cable harness towbar/tow hitch 4-pin C30	121
Cable harness towbar/tow hitch 7-pin S40/V50	122
Cable harness towbar/tow hitch 7-pin C30/C70	123
Cable harness towbar/tow hitch 13-pin S40/V50/C70 ..	124
Cable harness towbar/tow hitch 13-pin C30	125
Accessory USB unit (AUU)	126

Group 38 Instruments

Driver information module	127
Seat belt reminder C30/S40/V50	128
Seat belt reminder C70	129

Group 39 Other

Audio C30/S40/V50	130
Alternative connection audio S40/V50	131
Audio C70	132
Audio High Performance/Premium Sound C30/S40/V50 1:2	133
Audio High Performance/Premium Sound C70 1:2 ...	135

Cellular phone 1:2	137
Multimedia & Traffic information	139
Satellite radio	140
Navigation system, portable	141
Bluetooth	142
Bluetooth Handsfree, internal amplifier	143
Bluetooth Handsfree, external amplifier	144
Bluetooth Handsfree & AUU, internal amplifier	145
Bluetooth Handsfree & AUU, external amplifier	146
Bluetooth Handsfree with AEM, internal amplifier, LHD	147
Bluetooth Handsfree with AEM, internal amplifier, RHD	148
Bluetooth Handsfree with AEM, external amplifier, LHD	149
Bluetooth Handsfree with AEM, external amplifier, RHD	150

Group 43 Transmission

Automatic transmission AW55-51	151
Automatic transmission AWF21	152
Transmission M66	153
Automatic transmission MPS6	154

Group 59 Brake system

Brake control system & STC	155
Brake control system & DSTC	156

Group 64 Steering

Speed dependent power steering	157
--------------------------------------	-----

Group 83 Doors and openings

Central locking front doors C30/S40/V50	158
Central locking rear doors S40/V50	159
Central locking C70	160
Central locking trunk lid/tailgate C30	161
Central locking trunk lid/tailgate S40/V50	162
Central locking trunk lid/tailgate C70	163
Central locking storage compartment C70	164
Child safety lock S40/V50	165
Central locking fuel filler flap	166
Signal receiver central locking C30/S40/V50	167
Signal receiver central locking C70	168
Power windows front doors C30/S40/V50	169
Power windows C70	170
Power windows rear doors S40/V50	171
Power sunroof C30/S40/V50	172
Power roof C70	173

Table of Contents 3:3

Group 84 Exterior decorative elements, etc.

Power door mirrors C30/S40/V50.....	174
Power door mirrors C70.....	175
Heated door mirrors.....	176
Heated rear window.....	177
Blind spot information system.....	178

Group 85 Interior equipment

Power driver's seat with memory function LHD S40/V50.....	179
Power driver's seat with memory function RHD S40/V50.....	180
Power driver's seat with memory function LHD C30/C70.....	181
Power driver's seat with memory function RHD C30/C70.....	182
Power passenger seat with memory function LHD C30/C70.....	183
Power passenger seat with memory function RHD C30/C70.....	184
Power driver's seat LHD S40/V50.....	185
Power driver's seat RHD S40/V50.....	186
Power passenger seat LHD S40/V50.....	187
Power passenger seat RHD S40/V50.....	188
Heated seats.....	189

Group 87 Climate control system

Climate control system PTC-elements.....	190
Climate control system, 4-Cyl. Gasoline 1:2.....	191
Climate control system, Diesel 1.6l 1:2.....	193
Climate control system, 5-Cyl. 1:2.....	195
Parking heater, auxiliary heater.....	197
Relay, electric engine heater.....	198
Electric engine heater Flexifuel.....	199

Group 88 Internal equipment

Rear-view mirror with automatic dimming.....	200
Supplemental restraint system C30/S40/V50 1:2.....	201
Supplemental restraint system C70 1:2.....	203
Remote control garage opening.....	205

Connectors	206
-------------------------	------------

Branching points	246
-------------------------------	------------

Cable harness routing in vehicle

Engine harness, Gasoline 4-Cyl.1.6.....	258
Engine harness, Gasoline 4-Cyl.2.0.....	258
Engine harness, gasoline 5-Cyl. Turbo.....	259
Engine harness, Diesel 1.6l.....	259
Engine harness, Diesel 1.6l.....	260
Harness engine, Diesel 2.0l.....	260
Engine compartment harness, 4-Cyl.....	261
Engine compartment harness, 5-Cyl.....	261
Harness dashboard, LHD.....	262
Harness Dashboard, RHD.....	262
Floor harness, C30 LHD.....	263
Floor harness, C30 RHD.....	264
Floor harness, S40 LHD.....	265
Floor harness, S40 RHD.....	266
Floor harness, V50 LHD.....	267
Floor harness, V50 RHD.....	268
Floor harness, C70 LHD.....	269
Floor harness, C70 RHD.....	270
Roof harness, C30.....	271
Roof harness, S40.....	271
Roof harness, V50.....	272
Roof harness, C70.....	272
Tunnel harness, C30/S40/V50.....	273
Tunnel harness, C70.....	273
Driver's door harness, C30.....	274
Passenger door harness, C30.....	274
Driver's door harness, S40/V50.....	275
Passenger door harness, S40/V50.....	275
Driver's door harness, C70.....	276
Driver's door harness supplement, C70.....	276
Passenger door harness, C70.....	277
Passenger door harness supplement, C70.....	277
Harness rear door, right S40/V50.....	278
Harness rear door, left S40/V50.....	278
Rear side panel harness, left C70.....	279
Rear side panel harness, right C70.....	279
Trunk lid/tailgate harness, C30.....	280
Trunk lid/tailgate harness, S40.....	280
Trunk lid/tailgate harness, V50.....	281
Trunk lid/tailgate harness, C70.....	281

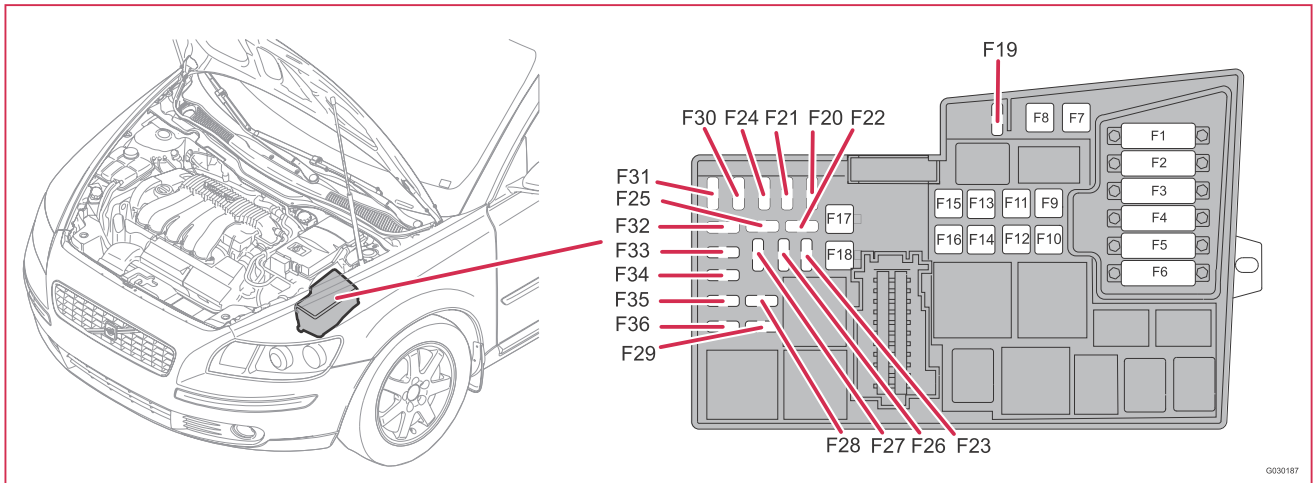
Component illustrations	282
--------------------------------------	------------

Index 1:2	340
------------------------	------------

List of components 1:7	342
-------------------------------------	------------

Fuses

Distribution box in engine compartment F32-F34

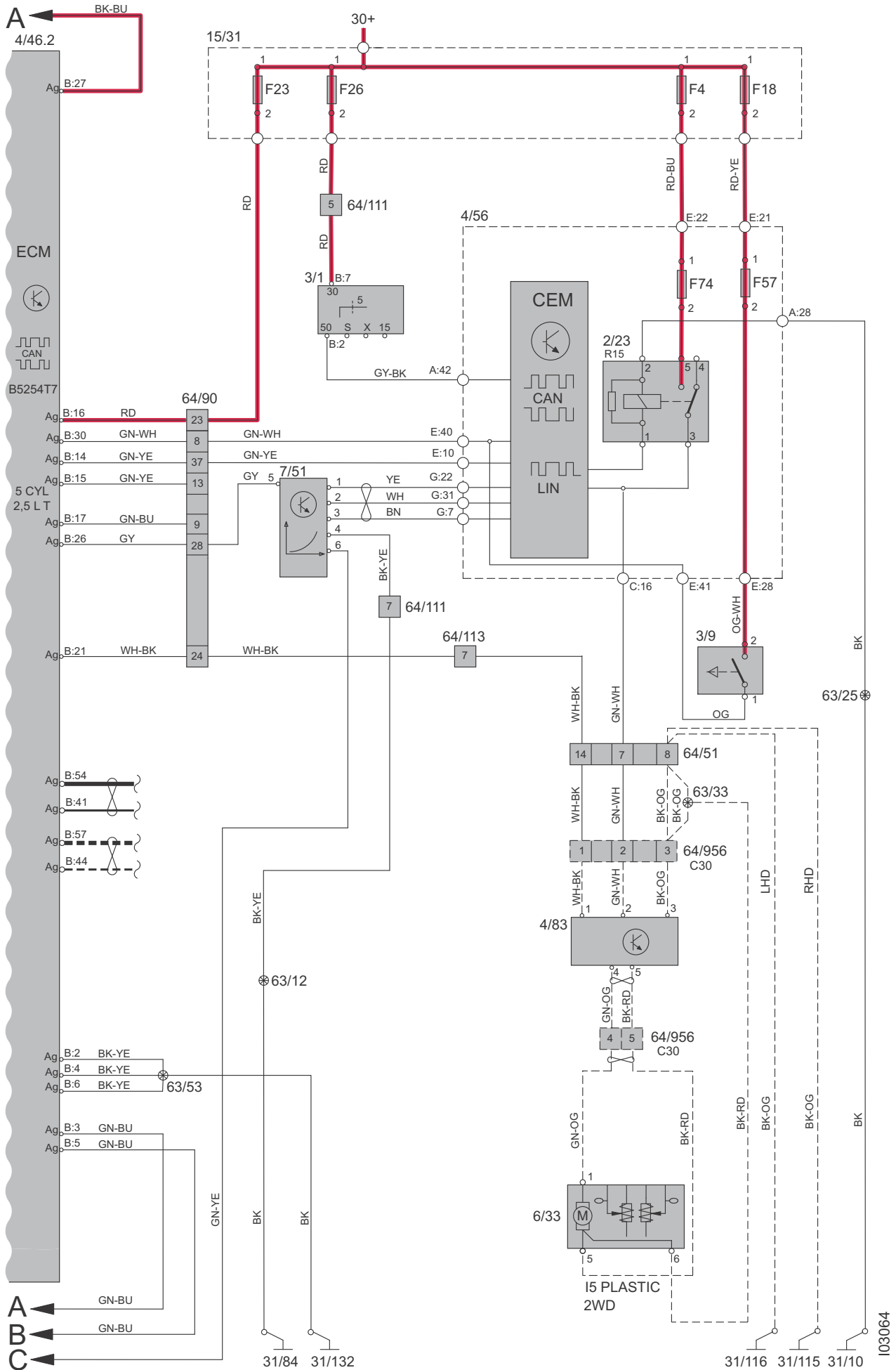


15/31 Distribution box in engine compartment

No.	Fuse function	via	A
F32	2/14 Relay, glow plug system 6/143 Regulator motor, Turbo 7/15 Front heated oxygen sensor, 4-Cyl. 7/17 Mass air flow sensor (MAF), 5-Cyl. Diesel 7/82 Rear heated oxygen sensor, 4-Cyl. 8/6-8/10 Injection valves, 5-Cyl. 8/11 Control valve fuel flow 8/122 Bypass valve, intercooler, 1.6l Diesel	- - - - - - - -	10
F33	2/133 Relay vacuum pump 4/46 Engine Control Module (ECM), 5-Cyl. Diesel 6/114 Vacuum pump, 5-Cyl. 7/15 Front heated oxygen sensor, 5-Cyl. 7/82 Rear heated oxygen sensor, 5-Cyl. Turbo 8/84 Switch, vacuum pump 9/38 Heated fuel filter, 4-Cyl. Diesel	- - 2/133 - - - -	20
F34	2/35 Relay starter motor, 1.6l Diesel 2/242 Battery relay, 1.6l Diesel 2/243 Secondary battery relay, 1.6l Diesel 2/239 Relay coolant pump, 1.6l Diesel 4/46 Engine control module (ECM), 1.6l Diesel 4/109 Glow plug control module (GCU), 5-Cyl. 7/15 Front heated oxygen sensor 4-Cyl. 8/6-8/9 Injection valves, 1.6l. 8/111 Fuel flow control valve, 1.6l Diesel 8/119 Pressure monitor, climate control system, 5-Cyl. 8/120 EGR valve, 5-Cyl. Diesel 8/133 Control valve fuel pressure 20/3 -20/7 Spark plug and ignition coil 20/17 Transformer, ignition coils, 1.6l.	2/247 - - - 2/247 - - - - - - - - -	10
continues			

Group 23 Fuel system

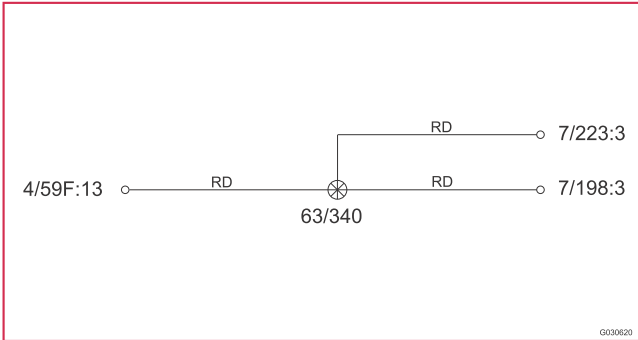
Engine management system, 5-Cyl. Turbo 2:2



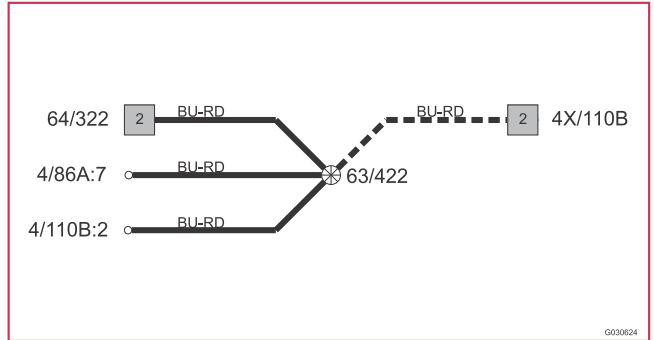
Branching points

63/340 - 63/1000

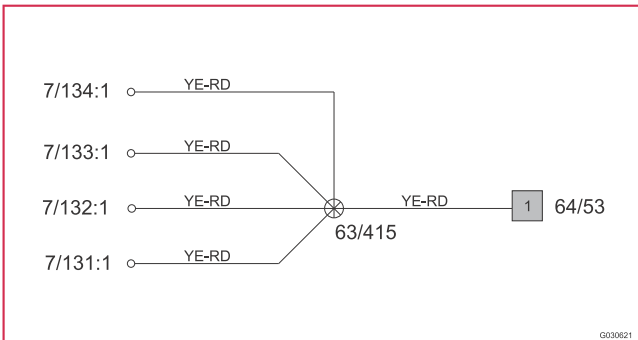
63/340 C70



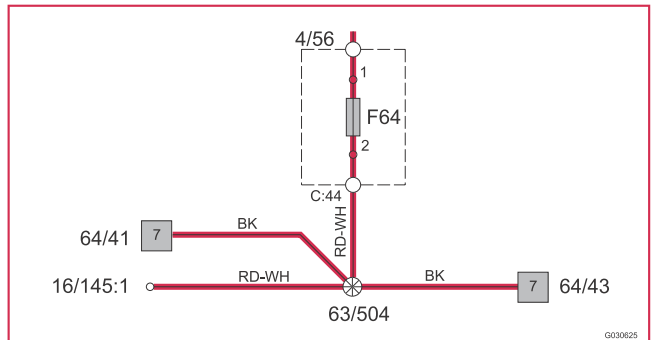
63/422



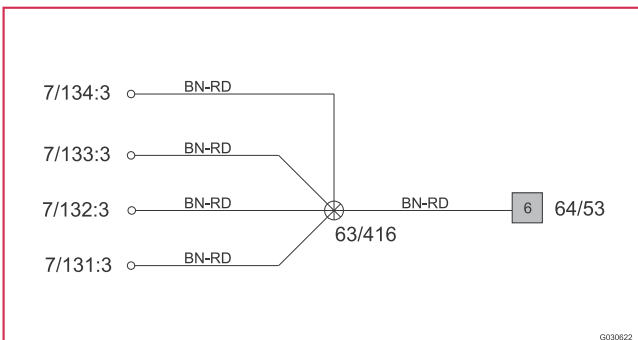
63/415



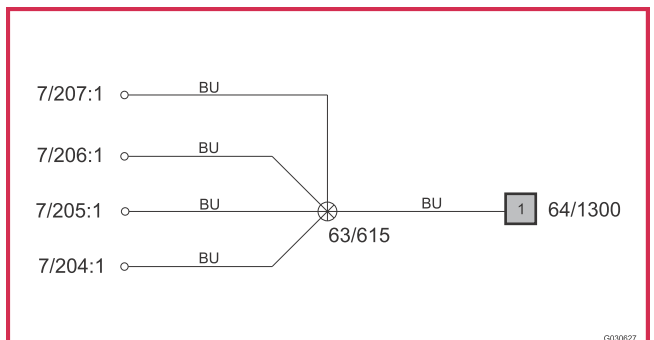
63/504 C70



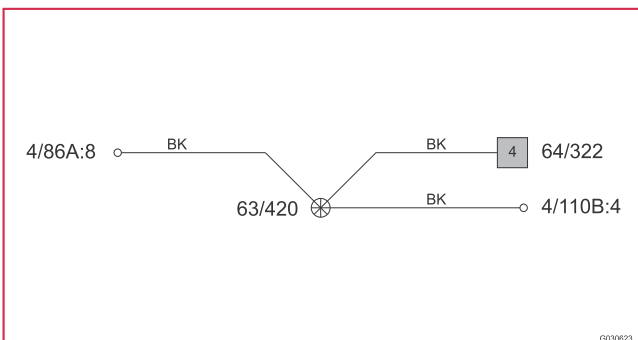
63/416



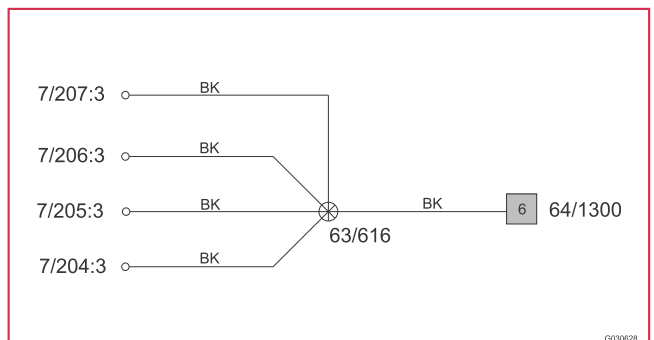
63/615



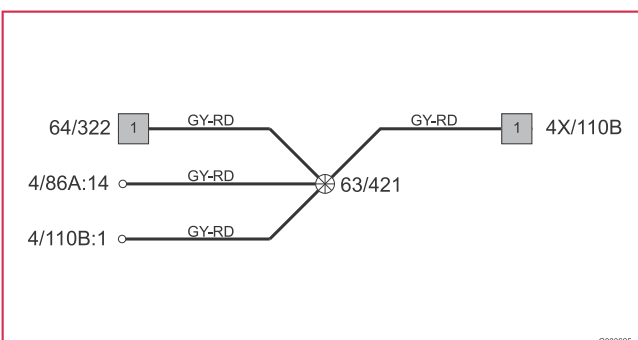
63/420



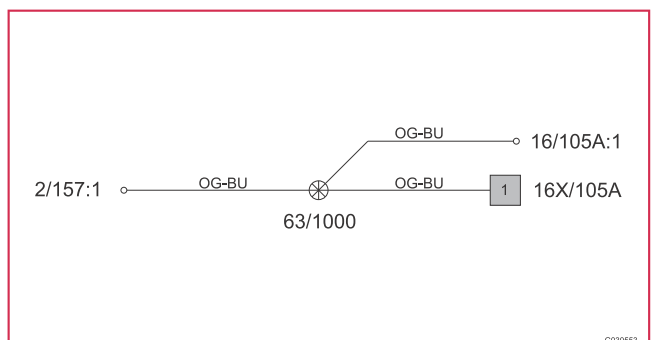
63/616



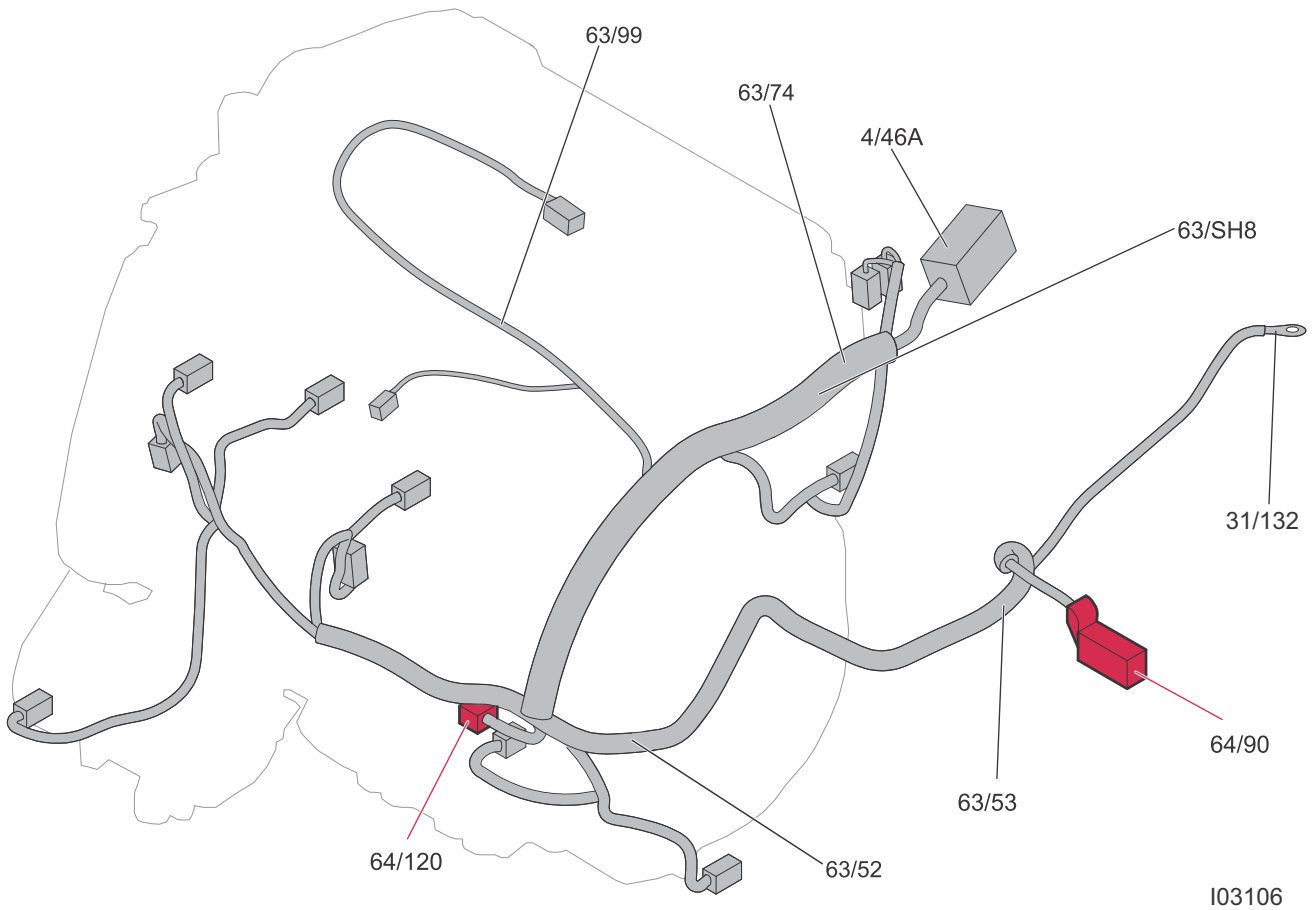
63/421



63/1000 S40/V50



**Cable harness routing in vehicle
Engine harness, Gasoline 4-Cyl.1.6**



**Cable harness routing in vehicle
Engine harness, Gasoline 4-Cyl.2.0**

