



Volvo S40
(2009-2010)



Wiring Diagrams and Electric Model year 2010



VOLVO C30, S40 (04-), V50 & C70 (06-)

WIRING DIAGRAM 2010



TP 39150202

Table of Contents 1:3

Vehicles with SRS (Airbag)/SIPS bag/	
IC (Inflatable Curtain).....	2
Abbreviations.....	6
How to use the wiring diagrams 1:2.....	7
Electrical distribution 1:2.....	9

Fuses

Distribution box in engine compartment F1-F7.....	11
Distribution box in engine compartment F8-F16.....	12
Distribution box in engine compartment F17-F25.....	13
Distribution box in engine compartment F26-F32.....	14
Distribution box in engine compartment F33-F34.....	15
Distribution box in engine compartment F35-FH1.....	16
Main fuse box battery.....	17
Fuse holder midi.....	18
Central Electronic Module (CEM) F43-F48.....	19
Central Electronic Module (CEM) F49-F61.....	20
Central Electronic Module (CEM) F62-F69.....	21
Central Electronic Module (CEM) F73-F85.....	22
Central Electronic Module (CEM) F86.....	23
Battery PF1-PF2.....	24

Relays

Ignition switch and relays.....	25
Distribution box in engine compartment R1-R14.....	26
Engine compartment.....	27
Central electronic module (CEM) R15-R18.....	28
Central electronic module (CEM) R1-R11B.....	29
Other relays.....	30

Ground connections

Overview.....	31
31/3 - 31/10 cont.....	32
31/10 - 31/11.....	33
31/12 - 31/66 cont.....	34
31/66 - 31/80.....	35
31/83 - 31/102.....	36
31/107 - 31/114.....	37
31/115 - 31/160.....	38
Ground connections in chassis.....	39

Control modules

Overview locations.....	40
Overview designations.....	41
Central electronic module (CEM) 1:2.....	42
Data communication, Low speed CAN 1:2.....	44
Data communication, High speed CAN.....	46
Data communication MOST.....	47
Data communication LIN 1:2.....	48
Ignition switch (SCU).....	50
Accessory electronic module (AEM).....	51

Group 23 Fuel system

Engine management system, 4-Cyl. 1.6l 1:2.....	52
Engine management system, 4-Cyl. 1.8l & 2.0l 1:2.....	54
Engine management system, 5-Cyl. 1:2.....	56
Engine management system, 5-Cyl. Turbo 1:2.....	58
Engine management system Diesel, 4-Cyl. 1.6l 1:2.....	60
Engine management system Diesel, 4-Cyl. 2.0l 1:2.....	62
Engine management system Diesel, 4-Cyl. 2.0l MPS6 1:2.....	64
Engine management system Diesel, 5-Cyl. 2.4l 1:3.....	66
Emission control 4-Cyl. 1.6l.....	69
Emission control, 4-Cyl. 1.8l & 2.0l.....	70
Emission control 5-Cyl.....	71
Emission control 5-Cyl. Turbo.....	72

Group 26 Cooling system

Cooling fan.....	73
------------------	----

Group 27 Engine controls

Cruise control 4-Cyl.....	74
Cruise control 5-Cyl.....	75
Start/stop function.....	76

Group 32 Alternator and voltage regulator

Power supply 4-Cyl.....	77
Power supply 5-Cyl.....	78

Group 33 Starting system

Starting system 4-Cyl.....	79
Starting system 5-Cyl.....	80

Group 35 Lighting

High and low beam.....	81
Active headlights, (Dual Xenon) S40/V50.....	82
High and low beam, (Dual Xenon) C30/C70.....	83
Running/Parking lights, Tail lights S40/V50.....	84
Running/Parking lights, Tail lights (Dual Xenon) S40/V50.....	85
Running/Parking lights, Tail lights C30/C70.....	86
Running/Parking lights, Tail lights (Dual Xenon) C30/C70.....	87
Brake lights S40/V50.....	88
Brake lights C30/C70.....	89
Reversing lights S40/V50.....	90
Reversing lights C30/C70.....	91
Fog lights S40/V50.....	92
Fog lights C30/C70.....	93
Fog lights LHD Japan S40/V50.....	94
Fog lights LHD Japan C30/C70.....	95
Follow-me-home lighting.....	96
Interior lighting C30/S40/V50 1:2.....	97
Interior lighting C70 1:2.....	99
Instrument and control illumination.....	101
Auxiliary lights.....	102

Table of Contents 2:3

Group 36 Additional electrical equipment

Direction indicators and hazard warning flashers S40/V50	103
Direction indicators and hazard warning flashers (Dual Xenon) S40/V50	104
Direction indicators and hazard warning flashers C30/C70	105
Direction indicators and hazard warning flashers (Dual Xenon) C30/C70	106
Wiper/washer windshield	107
Washer headlights	108
Wiper/washer rear window C30/V50	109
Rain sensor	110
Keyless vehicle C30/S40/V50 1:2	111
Keyless vehicle C70 1:2	113
Parking assistance	115
Immobilizer/Steering column lock module (SCL)	116
Horn	117
Anti-theft alarm C30	118
Anti-theft alarm S40/V50	119
Anti-theft alarm C70	120
Alcolock	121
Accessory Electronic Module (AEM) C30	122
Accessory Electronic Module (AEM), S40/V50/C70 ..	123

Group 37 Wiring and fuses

12V outlet C30/S40/V50	124
12V outlet, C70	125
Diagnostics system	126
Cable harness towbar/tow hitch 4-pin S40/V50	127
Cable harness towbar/tow hitch 4-pin C30/C70	128
Cable harness towbar/tow hitch 7-pin S40/V50	129
Cable harness towbar/tow hitch 7-pin C30/C70	130
Cable harness towbar/tow hitch 13-pin S40/V50/C70	131
Cable harness towbar/tow hitch 13-pin C30	132
USB unit (AUU)	133

Group 38 Instruments

Driver information module	134
Seat belt reminder C30/S40/V50	135
Seat belt reminder C70	136

Group 39 Other

Audio C30/S40/V50	137
Audio C70	138
Audio High Performance/Premium Sound C30/S40/V50 1:2	139

Audio High Performance/Premium Sound C70 1:2 ...	141
Cellular phone 1:2	143
Multimedia & Traffic information	145
Satellite radio	146
Subwoofer	147
Portable navigation system	148
Bluetooth	149
Bluetooth Handsfree, internal amplifier	150
Bluetooth Handsfree, external amplifier	151
Bluetooth Handsfree & AUU, internal amplifier	152
Bluetooth Handsfree & AUU, external amplifier	153
Bluetooth Handsfree with AEM, internal amplifier, LHD ...	154
Bluetooth Handsfree with AEM, internal amplifier, RHD ...	155
Bluetooth Handsfree with AEM, external amplifier, LHD ..	156
Bluetooth Handsfree with AEM, external amplifier, RHD ..	157

Group 43 Transmission

Automatic transmission AW55-51	158
Transmission M66	159
Automatic transmission MPS6	160
Differential Electronic Module (DEM) S40/V50	161

Group 59 Brake system

Brake control system & STC	162
Brake control system & DSTC	163

Group 64 Steering

Speed dependent power steering	164
--------------------------------------	-----

Group 83 Doors and openings

Central locking front doors C30/S40/V50	165
Central locking rear doors S40/V50	166
Central locking C70	167
Central locking trunk lid/tailgate C30	168
Central locking trunk lid/tailgate S40/V50	169
Central locking trunk lid/tailgate C70	170
Central locking storage compartment C70	171
Child safety lock S40/V50	172
Central locking fuel filler flap	173
Signal receiver central locking C30/S40/V50	174
Signal receiver central locking C70	175
Power windows front doors C30/S40/V50	176
Power windows C70	177
Power windows rear doors S40/V50	178
Power sunroof C30/S40/V50	179
Power roof C70	180

Table of Contents 3:3

Group 84 Exterior decorative elements, etc

Power door mirrors C30/S40/V50.....	181
Power door mirrors C70.....	182
Heated door mirrors.....	183
Rear window defroster.....	184
Blind spot information system.....	185

Group 85 Interior equipment

Power driver's seat with memory function LHD S40/V50.....	186
Power driver's seat with memory function RHD S40/V50.....	187
Power driver's seat with memory function LHD C30/C70.....	188
Power driver's seat with memory function RHD C30/C70.....	189
Power passenger seat with memory function LHD C30/C70.....	190
Power passenger seat with memory function RHD C30/C70.....	191
Power driver's seat LHD S40/V50.....	192
Power driver's seat RHD S40/V50.....	193
Power passenger seat LHD S40/V50.....	194
Power passenger seat RHD S40/V50.....	195
Heated seats.....	196

Group 87 Climate control system

Climate control system, 4-Cyl. Gasoline 1:2.....	197
Climate control system, Diesel 1.6l & 2.0l 1:2.....	199
Climate control system, 5-Cyl. 1:2.....	201
Climate control system PTC-elements.....	203
Parking heater, auxiliary heater.....	204
Relay, electric engine heater.....	205
Electric engine heater Flexifuel.....	206

Group 88 Internal equipment

Supplemental restraint system C30/S40/V50 1:2.....	207
Supplemental restraint system C70 1:2.....	209
Remote controlled garage door opening.....	211
Rear-view mirror with automatic dimming.....	212

Connectors	213
-------------------------	------------

Branching points	258
-------------------------------	------------

Cable harness routing in vehicle

Engine harness, Gasoline 4-Cyl.1.6.....	270
Engine harness, Gasoline 4-Cyl.1.8.....	270
Engine harness, Gasoline 5-Cyl.....	271
Engine harness, gasoline 5-Cyl. Turbo.....	271
Engine harness, Diesel 1.6l.....	272
Harness engine, Diesel 2.0l.....	272
Harness engine, Diesel 2.4l.....	273
Engine compartment harness, 4-Cyl.....	274
Engine compartment harness, 5-Cyl.....	274
Harness dashboard, LHD.....	275
Harness Dashboard, RHD.....	275
Floor harness, C30 LHD.....	276
Floor harness, C30 RHD.....	277
Floor harness, S40 LHD.....	278
Floor harness, S40 RHD.....	279
Floor harness, V50 LHD.....	280
Floor harness, V50 RHD.....	281
Floor harness, C70 LHD.....	282
Floor harness, C70 RHD.....	283
Roof harness, C30.....	284
Roof harness, S40.....	284
Roof harness, V50.....	285
Roof harness, C70.....	285
Tunnel harness, C30/S40/V50.....	286
Tunnel harness, C70.....	286
Driver's door harness, C30.....	287
Passenger door harness, C30.....	287
Driver's door harness, S40/V50.....	288
Passenger door harness, S40/V50.....	288
Driver's door harness, C70.....	289
Driver's door harness supplement, C70.....	289
Passenger door harness, C70.....	290
Passenger door harness supplement, C70.....	290
Harness rear door, right S40/V50.....	291
Harness rear door, left S40/V50.....	291
Rear side panel harness, left C70.....	292
Right, rear side panel harness C70.....	292
Trunk lid/tailgate harness, C30.....	293
Trunk lid/tailgate harness, S40.....	293
Trunk lid/tailgate harness, V50.....	294
Trunk lid/tailgate harness, C70.....	294

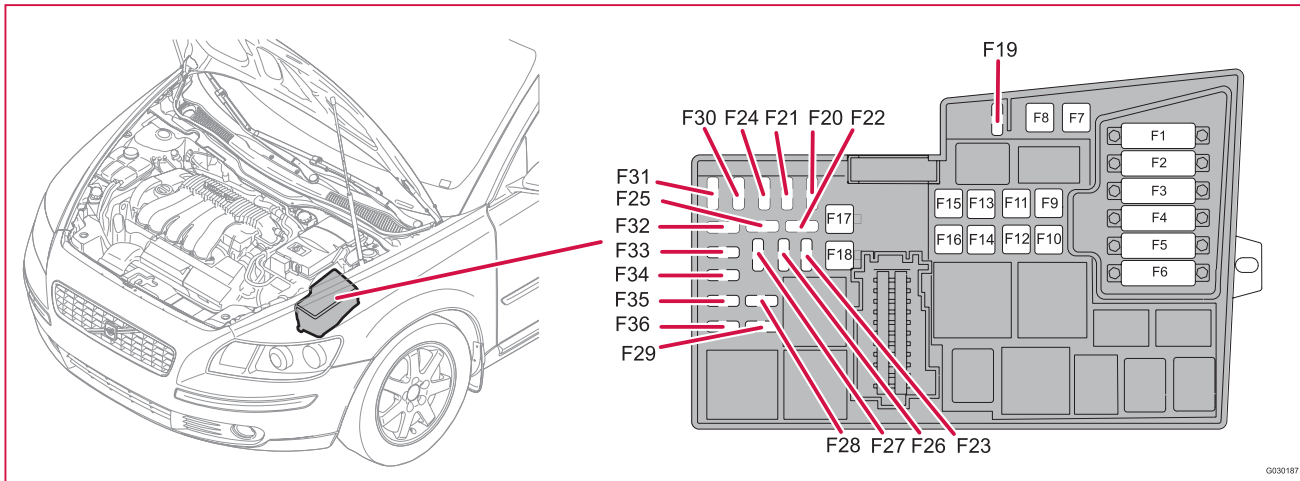
Component illustrations	295
--------------------------------------	------------

Index 1:2.....	353
-----------------------	------------

List of components 1:7	355
-------------------------------------	------------

Fuses

Distribution box in engine compartment F35-FH1

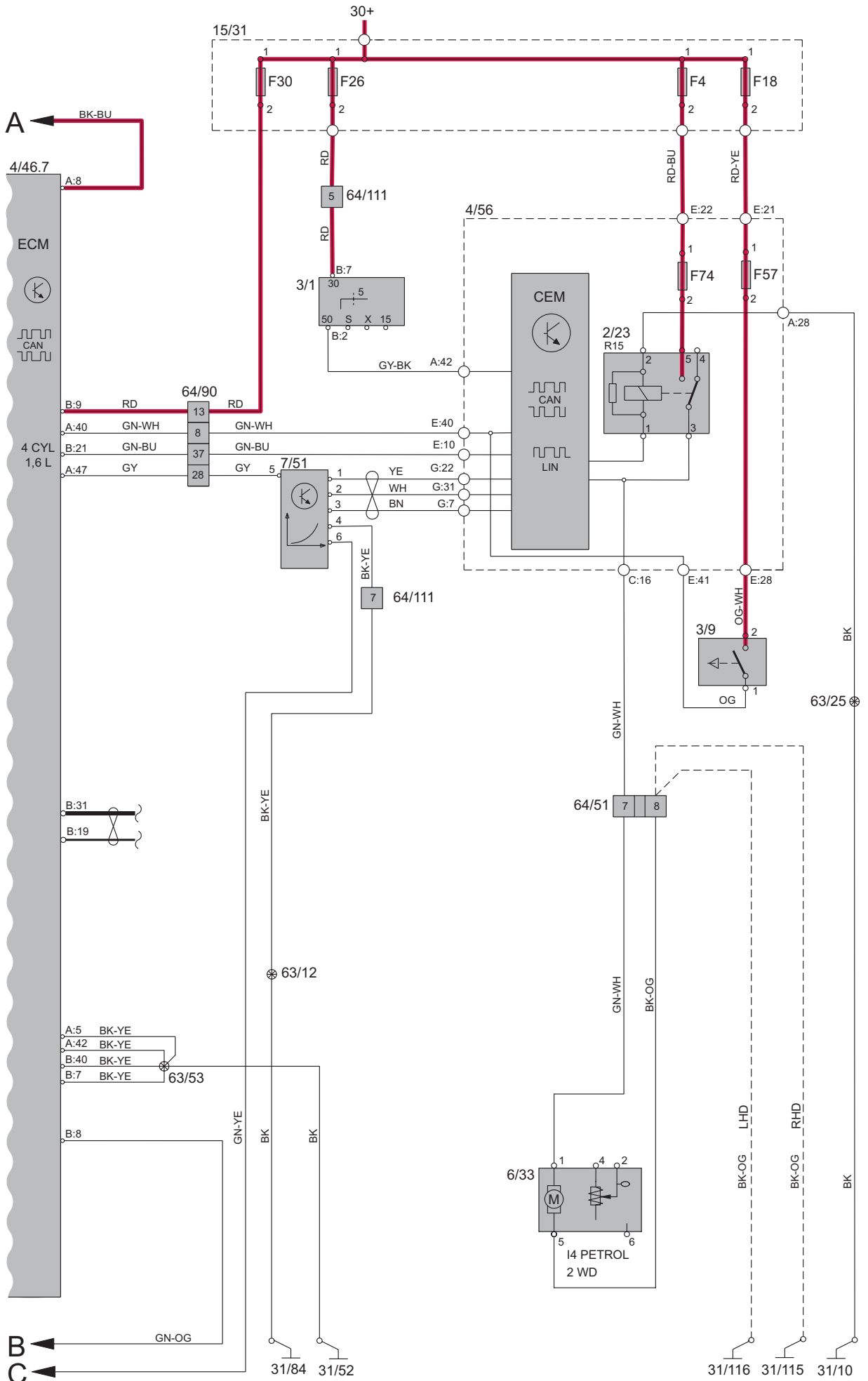


15/31 Distribution box in engine compartment

No.	Fuse function	via	A	
F35	2/22	Relay, climate control system	-	15
	4/46	Engine control module (ECM), 5-Cyl. Diesel	-	
	6/67	Fuel leakage control pump, 5-Cyl.	2/22	
	6/99	EGR motor, 1.6l Diesel, 1.8l Gasoline	-	
	7/17	Mass air flow sensor (MAF), 5-Cyl. Gasoline, 4-Cyl. Diesel	-	
	7/192	Water detection sensor, 4-Cyl. Diesel	-	
	8/6-8/9	Injection valves, 1.8l	-	
	8/18	EVAP valve, Gasoline	-	
	8/19	Solenoid, variable valve timing, intake, 5-Cyl. Gasoline	-	
	8/28	Turbocharger control valve, 2.5l Turbo	-	
	8/45	Vacuum valve, variable intake manifold, 1.8l	-	
	8/65	Pressure switch, power steering, 1.6l	-	
	8/77	Fuel volume control valve, 2.0l Diesel	-	
	8/81	Solenoid, variable valve timing, exhaust, 2.5l Turbo	-	
	8/82	Solenoid, variable turbo geometry, 4-Cyl. Diesel	-	
8/114	Valve, air/fuel mixing, 1.8l	-		
8/132	Control valve, intake, 2.0l Diesel	-		
9/32	PTC resistor, crankcase ventilation 5-Cyl. Gasoline	-		
F36	4/46	Engine control module (ECM)	-	10
	7/15	Front heated oxygen sensor, 5-Cyl. Diesel	-	
	7/51	Accelerator pedal sensor	-	
FH1	10/65	Auxiliary lights, front right	2/64	20
	10/69	Auxiliary lights, front left	2/64	

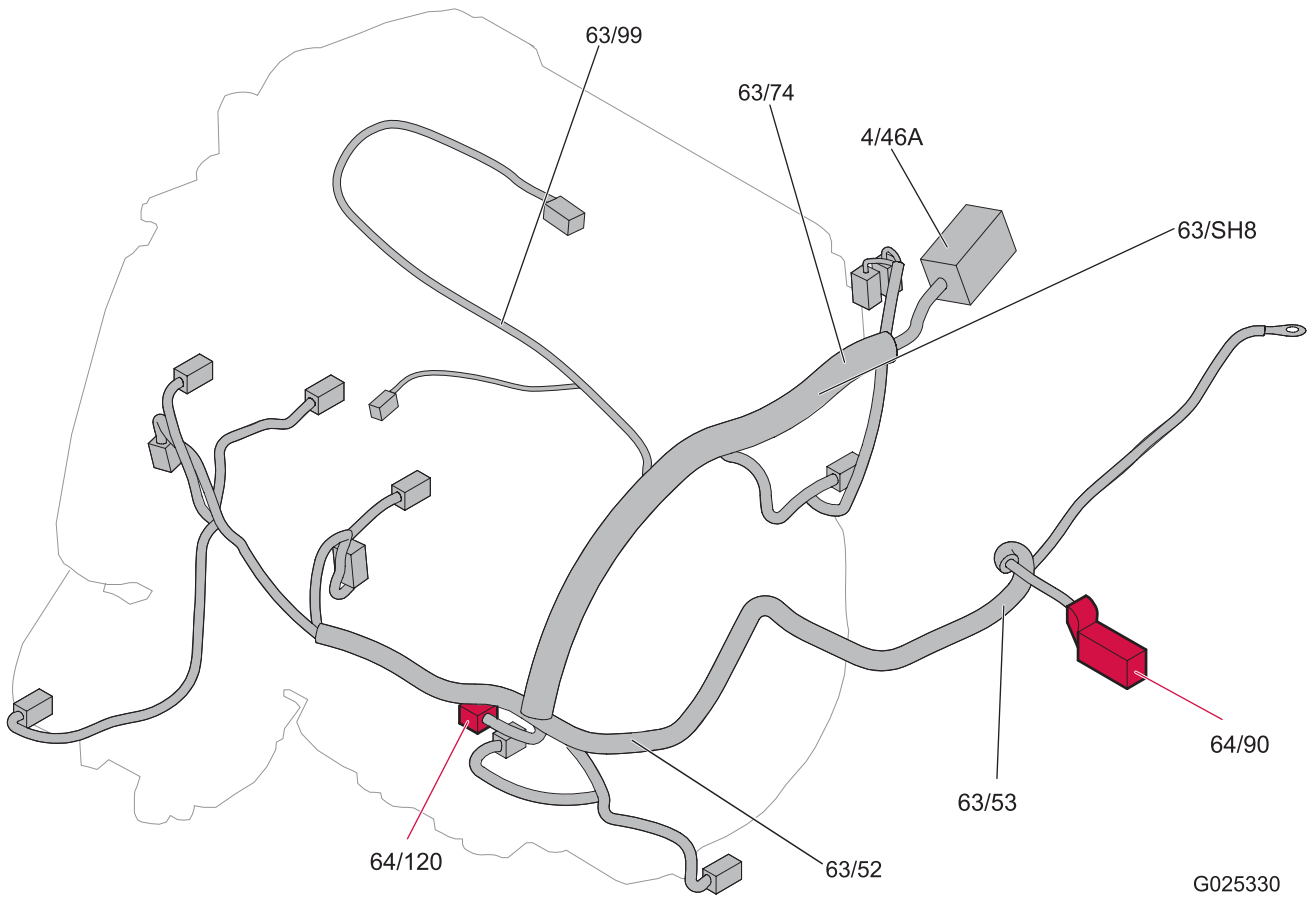
Group 23 Fuel system

Engine management system, 4-Cyl. 1.6l 2:2



G029744

**Cable harness routing in vehicle
Engine harness, Gasoline 4-Cyl.1.6**



**Cable harness routing in vehicle
Engine harness, Gasoline 4-Cyl.1.8**

