



Volvo S40
(2006-2007)



Wiring Diagrams and Electric Model year 2007

VOLVO

for life

VOLVO
WIRING DIAGRAM S40 (04-)/V50/C70 (06-)

TP 3999202

2007

Table of Contents 1:3

Vehicles with SRS (Airbag)/SIPS bag/	
IC (Inflatable Curtain).....	2
Abbreviations.....	7
How to use the wiring diagrams 1:2.....	8
Electrical distribution 1:2.....	10

Fuses

Engine compartment distribution box F1-F10.....	12
Engine compartment distribution box F11-F18.....	13
Engine compartment distribution box F20-F31.....	14
Engine compartment distribution box F32-F34.....	15
Engine compartment distribution box F35-FH1.....	16
Central Electronic Module (CEM) F43-F49.....	17
Central Electronic Module (CEM) F51-F63.....	18
Central Electronic Module (CEM) F64-F74.....	19
Central Electronic Module (CEM) F77-F86.....	20
Battery PF1-PF2.....	21

Relays

Ignition switch and relays.....	22
Distribution box in engine compartment R2-R14.....	23
Central Electronic Module (CEM) R15-R18.....	24
Central Electronic Module (CEM) R1-R11B.....	25
Other relays.....	26

Ground connections

Overview.....	27
31/3 - 31/10.....	28
31/11 - 31/52.....	29
31/66 - 31/67.....	30
31/80 - 31/107.....	31
31/110 - 31/116.....	32
31/117 - Ground connections in chassis.....	33

Control modules

Overview of locations.....	34
Overview of designations.....	35
Central Electronic Module (CEM) 1:2.....	36
Data communication, Low speed CAN 1:2.....	38
Data communication, High speed CAN.....	40
Data communication, MOST S40/V50.....	41
Data communication, MOST C70.....	42
Data communication, LIN 1:2.....	43
Start Control Module (SCU).....	45
Accessory Electronic Module (AEM).....	46

Group 23 Fuel system

Engine management system Diesel, 5-cyl. 2.4l 1:3.....	47
Engine management system, 4-cyl. 1.6l 1:2.....	50
Engine management system, 4-cyl. 1.8l & 2.0l 1:2.....	52

Engine management system, 5-cyl. 1:2.....	54
Engine management system, 5-cyl. Turbo 1:2.....	56
Engine management system Diesel, 4-cyl. 1.6l 1:2.....	58
Engine management system Diesel, 4-cyl. 2.0l 1:2.....	60
Emission control, 4-cyl. 1.6l.....	62
Emission control, 4-cyl. 1.8l & 2.0l.....	63
Emission control, 5-cyl.....	64
Emission control, 5-cyl. Turbo.....	65

Group 26 Cooling system

Cooling fan.....	66
Cooling fan Diesel.....	67

Group 27 Engine control

Cruise control, 4-cyl.....	68
Cruise control, 5-cyl.....	69

Group 32 Alternator and voltage regulator

Power supply, 4-cyl.....	70
Power supply, 5-cyl.....	71

Group 33 Starting system

Starting system, 4-cyl.....	72
Starting system, 5-cyl.....	73
Starting system, 5-cyl. Diesel.....	74

Group 35 Lighting

Follow-me-home lighting.....	75
High and low beam.....	76
High and low beam (Bi-Xenon).....	77
Manual beam length adjustment.....	78
Automatic beam length adjustment (Bi-Xenon).....	79
Position/Parking lights, Tail lights S40/V50.....	80
Position/Parking lights, Tail lights (Bi-Xenon) S40/V50.....	81
Position/Parking lights, Tail lights C70.....	82
Position/Parking lights, Tail lights (Bi-Xenon) C70.....	83
Fog lights S40/V50.....	84
Fog lights C70.....	85
Fog lights LHD, Japan S40/V50.....	86
Fog lights LHD, Japan C70.....	87
Brake lights S40/V50.....	88
Brake lights C70.....	89
Reversing lights S40/V50.....	90
Reversing lights C70.....	91
Interior lighting S40/V50 1:2.....	92
Interior lighting C70 1:2.....	94
Instrument and control illumination.....	96
Auxiliary lights.....	97

Table of Contents 2:3

Group 36 Additional electrical equipment

Direction indicators and hazard warning flashers S40/V50	98
Direction indicators and hazard warning flashers (Bi-Xenon) S40/V50	99
Direction indicators and hazard warning flashers C70	100
Direction indicators and hazard warning flashers (Bi-Xenon) C70	101
Windshield wiper/washer	102
Headlight washer	103
Rear window wiper/washer V50	104
Rain sensor	105
Horn	106
Immobilizer/Steering column lock module (SCL)	107
Keyless vehicle S40/V50 1:2	108
Keyless vehicle C70 1:2	110
Rear parking assistance	112
Front parking assistance	113
Anti-theft alarm S40/V50	114
Anti-theft alarm C70	115
Accessory Electronic Module (AEM)	116

Group 37 Wiring and fuses

12V outlet S40/V50	117
12V outlet C70	118
Diagnostics system	119
Tow hitch cable harness, 4-pin	120
Tow hitch cable harness, 7-pin	121
Tow hitch cable harness, 13-pin	122

Group 38 Instruments

Driver information module	123
Seat belt reminder S40/V50	124
Seat belt reminder C70	125

Group 39 Other

Audio S40/V50 1:2	126
Audio C70 1:2	128
Audio High Performance/Premium Sound S40/V50 1:2	130
Audio High Performance/Premium Sound C70 1:2 ...	132
Cellular phone 1:2	134
Satellite radio	136

Multimedia & Traffic information	137
Turn by Turn navigation, Audio	138
Turn by Turn navigation, Audio High Performance/ Premium Sound	139
Handsfree Universal, Audio	140
Handsfree Universal, Audio High Performance/ Premium Sound	141
Handsfree Max with Adapter	142
Handsfree Max	143
Subwoofer	144

Group 43 Transmission

Automatic transmission AW55-51	145
Transmission M66	146
Differential Electronic Module (DEM)	147

Group 59 Brake system

Brake control system & STC	148
Brake control system & DSTC	149

Group 64 Steering

Electronic power steering	150
---------------------------------	-----

Group 83 Doors and openings

Central locking, front doors S40/V50	151
Central locking, rear doors S40/V50	152
Central locking system C70	153
Central locking, tailgate S40/V50	154
Central locking, tailgate C70	155
Central locking, storage compartment C70	156
Child safety lock S40/V50	157
Central locking, fuel filler flap	158
Signal receiver, remote-control, central locking	159
Power windows, front doors S40/V50	160
Power windows, front doors C70	161
Power windows, rear doors S40/V50	162
Power sunroof S40/V50	163
Power roof C70	164

Group 84 Exterior decorative elements, etc.

Power door mirrors S40/V50	165
Power door mirrors C70	166
Heated door mirrors	167
Heated rear window	168
Blind Spot Information System	169

Table of Contents 3:3

Group 85 Interior equipment

Power driver's seat with memory function LHD S40/V50	170
Power driver's seat with memory function RHD S40/V50	171
Power driver's seat with memory function LHD C70	172
Power driver's seat with memory function RHD C70	173
Power passenger seat with memory function LHD C70	174
Power passenger seat with memory function RHD C70	175
Power driver's seat LHD	176
Power driver's seat RHD	177
Power passenger seat LHD	178
Power passenger seat RHD	179
Heated seats.....	180

Group 87 Climate control system

Climate control system PTC element	181
Climate control system, 4-cyl. Gasoline 1:2.....	182
Climate control system, 5-cyl. 1:2.....	184
Climate control system, Diesel 1.6l & 2.0l 1:2	186
Parking heater, auxiliary heater	188
Relay, electric engine heater	189
Electric engine heater Flexifuel.....	190

Group 88 Internal equipment

Auto-dimming rearview mirror.....	191
Supplemental Restraint System Module (SRS) S40/V50 1:2	192
Supplemental Restraint System Module (SRS) C70 1:2	193

Connectors	195
-------------------------	------------

Branching points	229
-------------------------------	------------

Cable harness routing in vehicle

Engine harness Gasoline, 4-cyl. 1.6l	240
Engine harness Gasoline, 4-cyl. 1.8l	240
Engine harness Gasoline, 5-cyl.	241
Engine harness Gasoline, 5-cyl., Turbo.....	241
Engine harness Diesel 1.6l	242
Engine harness Diesel 2.0l	242
Engine harness Diesel 2.4l	243
Engine compartment harness, 4-cyl.	244
Engine compartment harness, 5-cyl.	244
Dashboard harness LHD	245
Dashboard harness RHD	245
Floor harness S40 LHD	246
Floor harness S40 RHD	247
Floor harness V50 LHD	248
Floor harness V50 RHD	249
Floor harness C70 LHD	250
Floor harness C70 RHD.....	251
Roof harness S40	252
Roof harness V50	252
Tunnel harness S40/V50	253
Tunnel harness C70	253
Driver's door harness S40/V50	254
Passenger door harness S40/V50	254
Driver's door harness C70	255
Driver's door harness supplement C70.....	255
Passenger door harness C70	256
Passenger door harness supplement C70.....	256
Rear right door harness S40/V50	257
Rear left door harness S40/V50.....	257
Harness, rear side panel, left C70	258
Harness, rear side panel, right C70	258
Tailgate harness C70	260
Tailgate harness S40	259
Tailgate harness V50	259

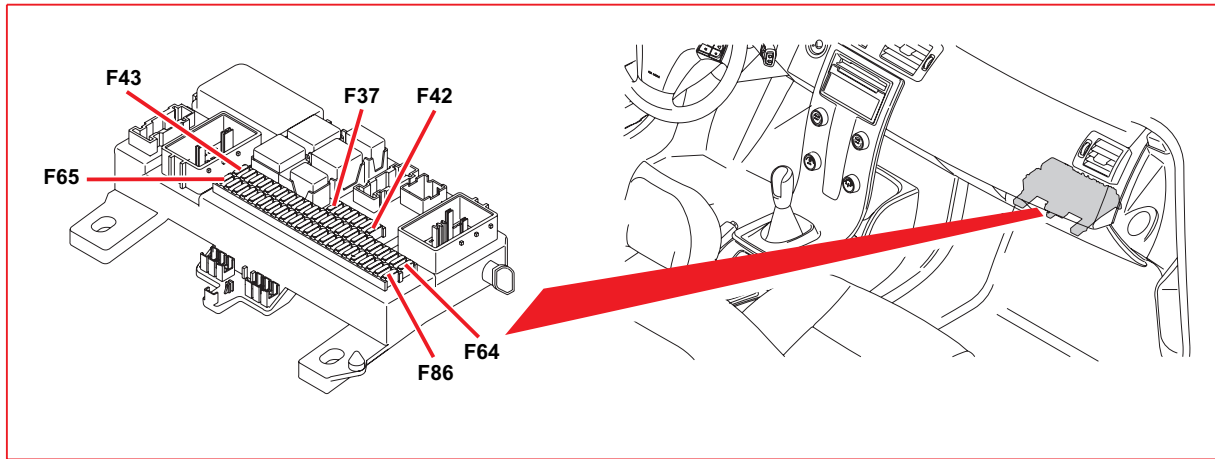
Component illustrations	261
--------------------------------------	------------

Index 1:2	316
------------------------	------------

List of components 1:6	318
-------------------------------------	------------

Fuses

Central Electronic Module (CEM) F51-F63

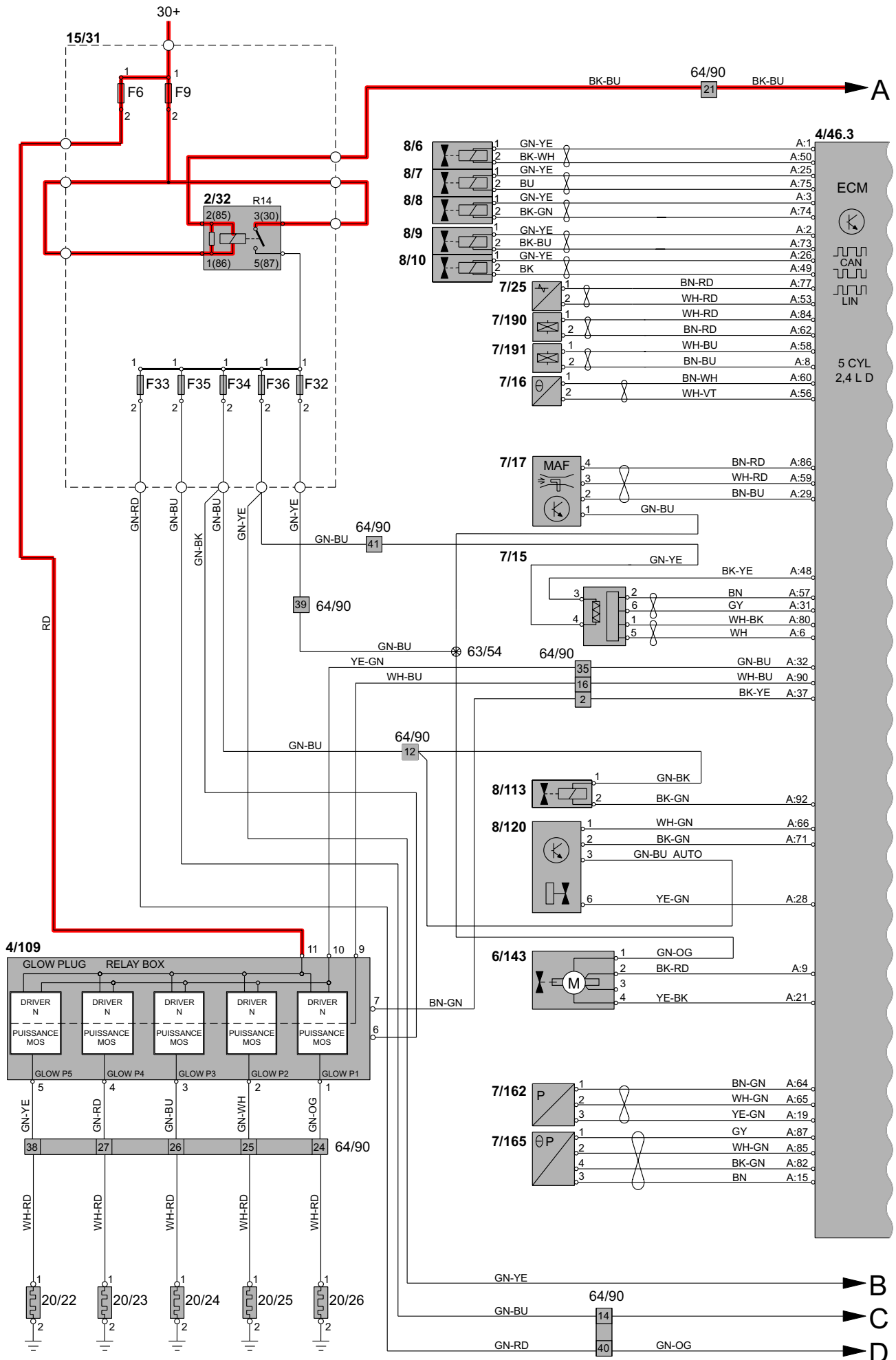


4/56 Central Electronic Module (CEM)

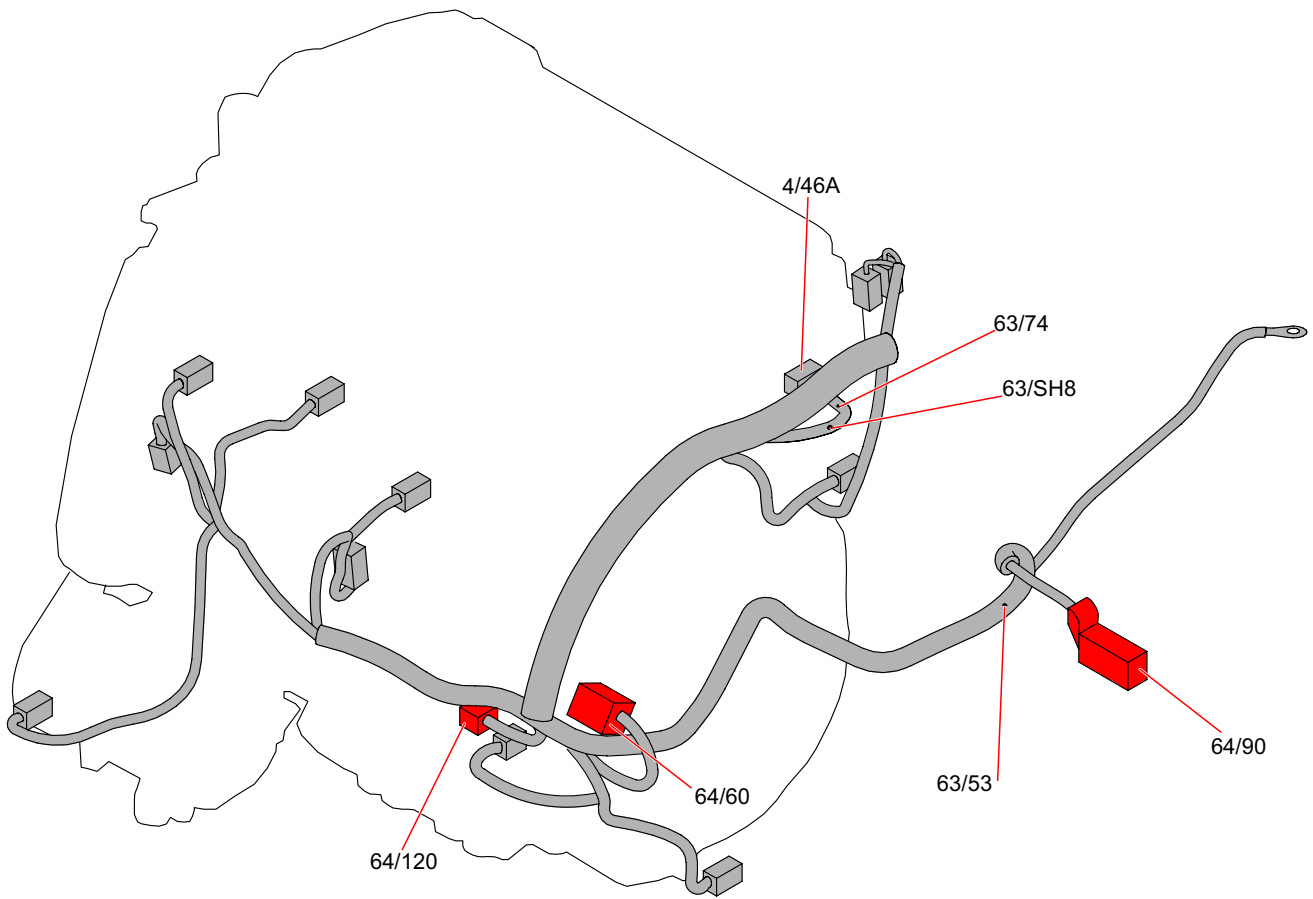
No.	Fuse function	via	A
F51	2/142 Fuel filter preheater relay	-	10
	4/82 Differential Electronic Module (DEM)	-	
	4/86 Parking Assistance Module (PAM)	-	
	4/112 Gas Discharge Lamp Module (GDL), master, left	-	
	4/113 Gas Discharge Lamp Module (GDL), slave, right	-	
	10/1 Front left lamp housing, beam length adjustment	4/112	
10/2 Front right lamp housing, beam length adjustment	4/113		
F52	4/16 Brake Control Module (BCM)	-	5
	4/28 Transmission Control Module (TCM)	-	
F53	6/71 Electrical Power Steering Module (EPS)	-	10
F54	4/46 Engine Control Module (ECM), 5-cyl. T	-	10
F55	4/93 Keyless Vehicle Module (KVM)	-	20
F56	16/35 Siren Control Module (SCM)	-	10
F57	3/9 Contact brake light	-	15
	17/13 Data link connector	-	
F58	4/113 Gas Discharge Lamp Module (GDL), slave, right	-	7.5
	10/2 Lamp housing, front right	-	
F59	4/112 Gas Discharge Lamp Module (GDL), master, left	-	7.5
	10/1 Lamp housing, front left	-	
F60	9/12 Seat Heating Module (SHM), driver's side	-	15
F61	9/13 Seat Heating Module (SHM), passenger side	-	15
F62	4/33 Sunroof control module	-	20
F63	3/129 Rear Right Door Module (RDM)	-	20
continues			

Group 23 Fuel system

Engine management system Diesel, 5-cyl. 2.4l 2:3



**Cable harness routing in vehicle
Engine harness Gasoline, 4-cyl. 1.6l**



**Cable harness routing in vehicle
Engine harness Gasoline, 4-cyl. 1.8l**

