



**Volvo S40**  
(2002-2003)



**Wiring Diagrams and Electric Model year 2003**

Abbreviations .....	3
How to use the wiring diagrams.....	4
Overview .....	6

## Fuses

Engine compartment 11A/1-8 .....	8
Engine compartment 11A/9-11 .....	9
Engine compartment 11A/12-17 .....	10
Engine compartment 11A/18-23 .....	11
Engine compartment 11A/24-31 .....	12
Passenger compartment 11B/7-10.....	14
Passenger compartment 11B/11-14 .....	15

## Relays

Engine compartment 1-9, misc.....	16
Passenger compartment 1-7, misc.....	17

## Distribution rails

15/1 - 15/3.....	18
15/4 - 15/6.....	19
15/5 - 15/6.....	20
Ignition switch .....	21

## Ground connections

31/1 - 31/4.....	22
31/4 - 31/7.....	23
31/7 - 31/10 .....	24
31/11 - 31/15.....	25

## Control modules

Overview .....	26
----------------	----

## Group 23

Engine management system, EMS 2000 .....	28
Engine management system, EMS 2000 Turbo .....	30
Engine management system, Bifuel.....	32
Engine management system, Melco 2 .....	34
Engine management system, Diesel.....	36

## Group 26

Electric cooling fan/ AC compressor EMS 2000 .....	38
Electric cooling fan/ AC compressor Melco 2 .....	39
Electric cooling fan/ AC compressor Diesel.....	40

## Group 27

Cruise control, EMS 2000 .....	41
Cruise control, Melco 2 .....	42
Cruise control, Diesel.....	43

## Group 32, 33

Charging circuit, Starting circuit.....	44
---	----

## Group 35

Main and dipped beams, Fog lights .....	45
Parking lights/side marker lights.....	46
Numberplate lighting .....	46
Reversing and brake lights, filament monitor.....	47
Interior lighting, power sunroof .....	48
Key-inserted warning.....	48

## Group 36

Beam length adjustment .....	50
Instrument and control lighting.....	51
Direction indicators and warning lights .....	52
Wiper/washer, windscreen .....	53
Headlights and rear window .....	53
12V socket and horn .....	54
Electronic immobilizer .....	55

## Group 37

Diagnostics system.....	56
Towing bracket wiring .....	57

## Group 38

Seat belt reminder.....	58
Driver information module.....	59

## Group 39

Audio level 1 .....	60
Audio level 2 .....	61
Audio level 3 .....	62

## Group 43, 52

Automatic transmission/Vacuum pump EMS 2000 .....	63
---	----

## Group 59

ABS, DSA .....	64
----------------	----

## Group 83, 36

Central locking and anti-theft alarm USA.....	65
Central locking and anti-theft alarm EU/OS.....	66

## Group 83, 84

Power windows and power door mirrors.....	68
---	----

## Group 84

Heated rear window and heated door mirrors.....	69
---	----

## Group 85

Heated seats .....	70
Power seats .....	71

## Group 87

Climate control system.....	72
-----------------------------	----

## Group 88

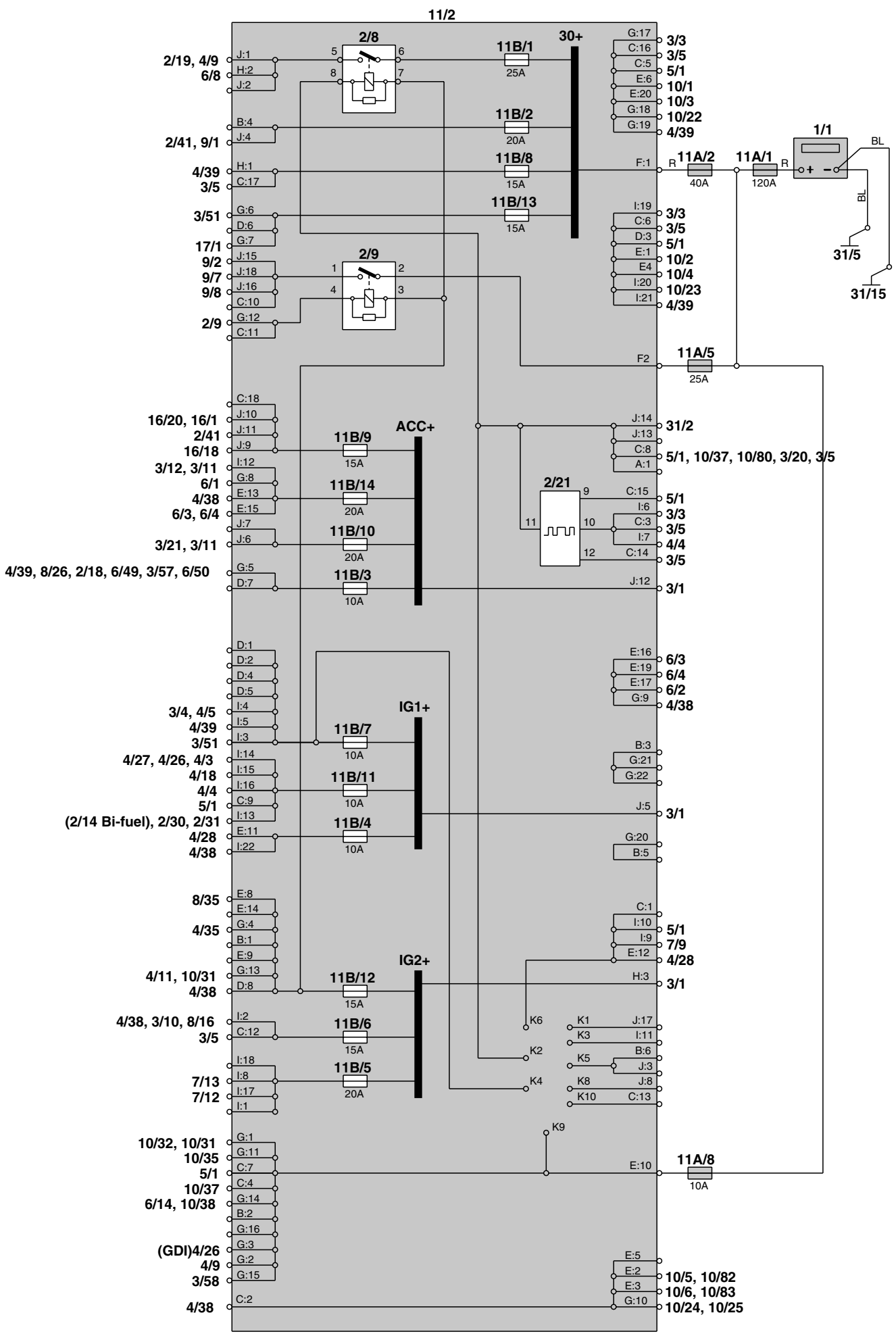
Supplemental Restraint System (SRS) .....	73
---	----

## Connectors

44/1 EMS 2000 .....	74
44/1 MELCO 2.....	75
44/1 DIESEL .....	76
44/1 BIFUEL .....	77
44/2 MELCO 2.....	78
44/3 - 44/4 .....	79
44/5 .....	80
44/6 - 44/7 .....	81
44/8 - 44/9:1-6.....	82
44/9:7-26.....	83

**Order number TP 3965032**  
Replaces previous manual TP 3965031

# Electrical distribution Overview





# Cable harness routing in vehicle

## Passenger compartment and dashboard harness

