



Volvo S40
(1999-2000)



Wiring Diagrams and Electric Model year 2000

Contents

Abbreviations	3	Group 36	
How to use the diagrams	4	Turn signal lamps and hazard warning signal flashers	118
Fuses	6	Horn	126
Relays	8	Wiper/washer	
Distribution rails	12	Windscreen	120
Control modules-overview	14	Headlamps	122
Connectors	16	Rear windscreen V40	124
Junction points	36	Cigarette lighter	126
Ground terminals	48	Ignition warning	128
Cable harnesses	51	Alarm	130
		Immobilizer	132
Group 23		Group 37	
Fuel injection system		On-board diagnostic (OBD) system	134
EMS 2000	62		
EMS 2000 Turbo	66	Group 38	
MELCO 1	70	Seat belt reminder	136
Diesel	74	Instruments - general	138
		Combined instrument panel	140
Group 26			
Cooling		Group 39	
EMS 2000	78	Radio	142
MELCO 1	80		
Diesel	82	Group 43	
		Automatic gearbox control module (TCU)	144
Group 27		Automatic gearbox	146
Cruise control		Shift lock	148
Petrol	84		
Diesel	86	Group 52	
		Vacuum pump EMS 2000 Turbo	150
Group 28			
Dynamic stability system (DSA)	88	Group 59	
		ABS system	152
Group 32/33			
Starter circuit	90		
Charging circuit	92		
Group 35			
Parking lamps	94		
High and low beams	96		
Parking lamps	98		
Headlamp alignment	100		
Tail lighting and number plate lighting	102		
Brake lamps and bulb failure warning sensor	104		
Reverse (back-up) light	106		
Fog lamps	108		
Glove compartment and courtesy lighting	110		
Courtesy lighting	112		
Cargo compartment and tailgate lighting	114		
Dimmer	116		

Continued on next page

Order number: TP 3945032

Supersedes TP 3945031

We reserve the right to make alterations without prior notification

Contents

Group 83

Power windows front	154
Power windows rear	156
Central locking	158
Remote controlled central locking-general	160
Remote controlled central locking-motors	162
Remote controlled central locking-motors, USA	164
Electrical door lock rear	166
Power sunroof	168

Group 84

Rear demist	170
Heated door mirrors	170
Power door mirrors	172

Group 85

Electrically heated front seats	174
Power seats	176

Group 87

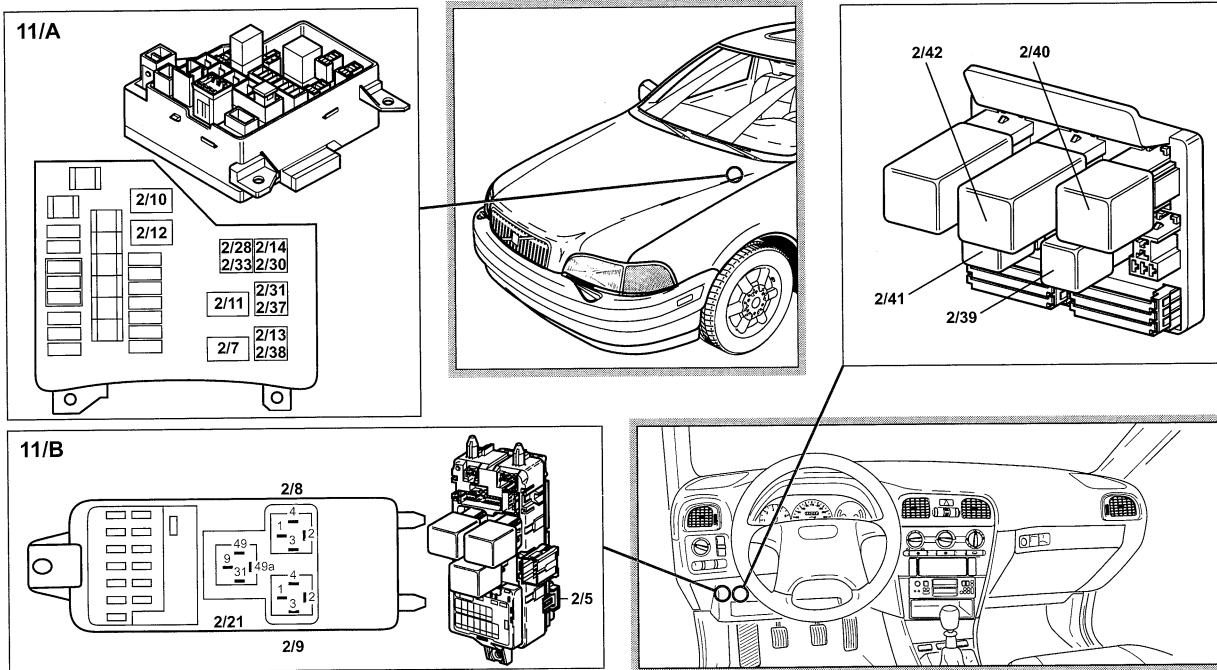
Manual Climate Control unit, MCC	178
Air conditioning (A/C) compressor, EMS 2000	180
Air conditioning (A/C) compressor, MELCO 1	182
Air conditioning (A/C) compressor, Diesel	184
ECC control module	186
ECC control of motors and sensors	188

Group 88

Airbag and/or seat belt tensioner	190
---	-----

Component list (fold-out) see end of manual

Relays in engine compartment and passenger compartment



Relays in engine compartment

1	2/10	Air conditioning (A/C) compressor
2	2/12	Engine cooling fan (FC) (operated by air conditioning A/C, MELCO 1, Diesel)
3	2/11	Engine cooling fan (FC) speed 1 (EMS 2000, Diesel)
4	2/31 2/37	Fuel pump (FP) (MELCO 1) Coolant heater 1 (Diesel)
5	2/7	Starter motor (immobilizer)
6	2/13 2/38	Air conditioning condenser fan (Petrol) Coolant heater 2 (Diesel)
7	2/28 2/33	Engine cooling fan (FC) speed 2 (EMS 2000, Diesel) System (MELCO 1)
8	2/14 2/30	System (EMS 2000, Diesel) Injectors/ignition (MELCO 1)

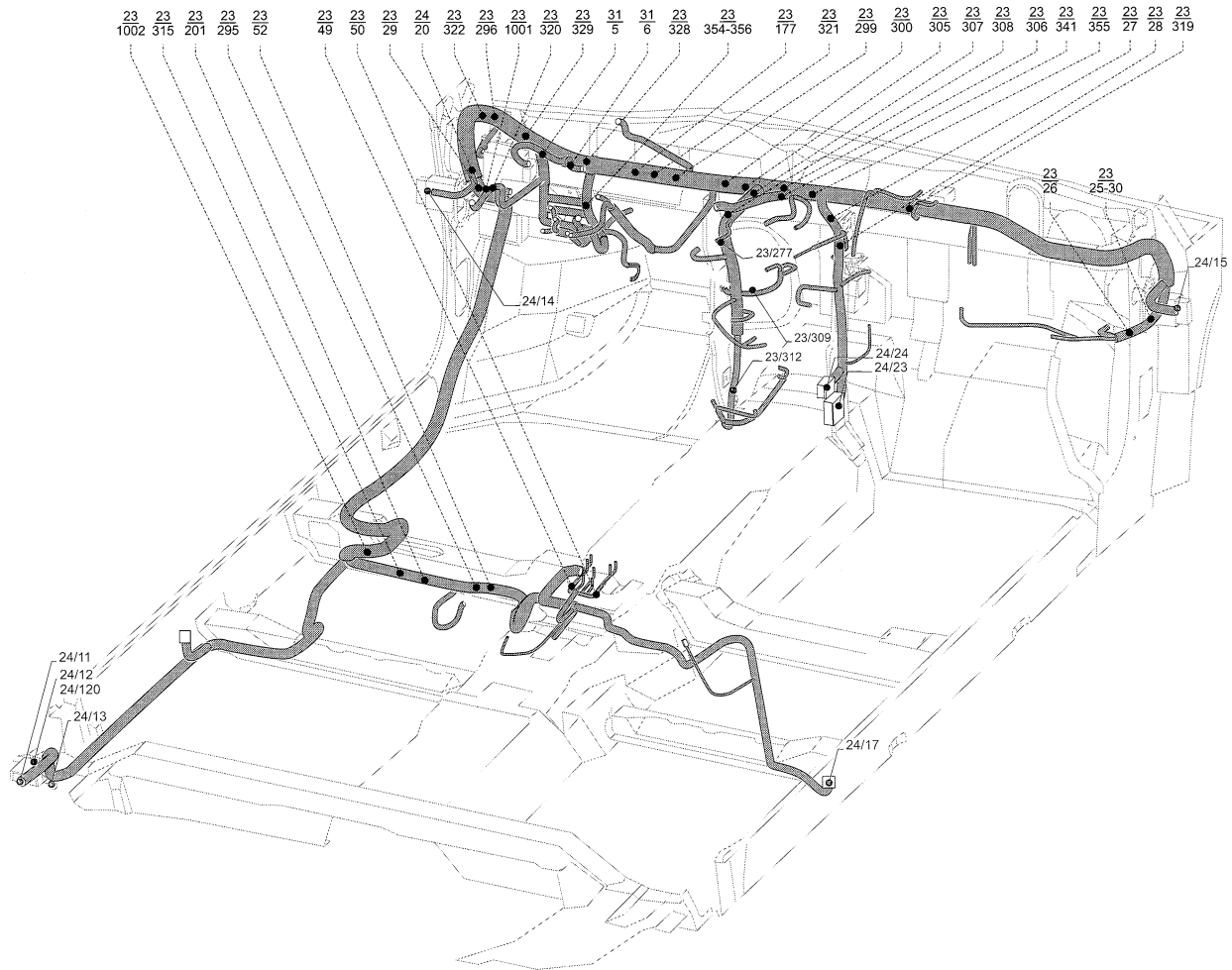
Relays in passenger compartment

1	2/8	Heating system
2	2/9	Heated rear window and door mirrors
3	2/21	Turn signal lamp

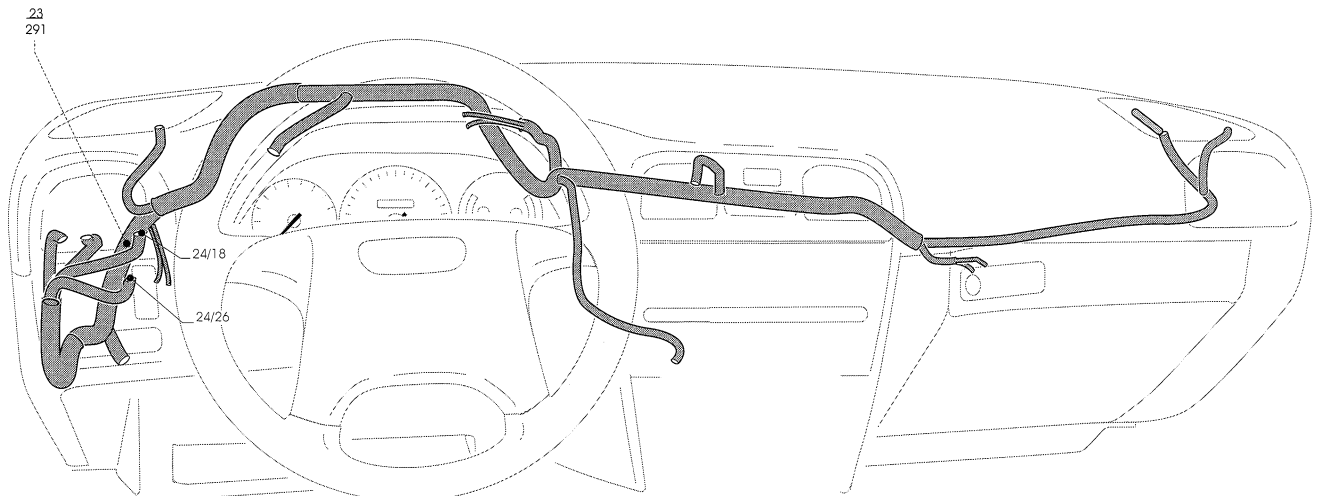
Relays in the passenger compartment (in the separate relay holder)

1	2/40	Relay seat belt reminder/ignition warning (USA, CDN, Korea)
2	2/42	Boot lid lock relay
3	2/18	Power windows relay
4	2/39	Seat belt reminder
5	2/41	Accessory relay

In the passenger compartment



Instrument panel



Fuel injection system Diesel

