



**Volvo C70**  
(2005-2006)



**Wiring Diagrams and Electric Model Year 2006**

**VOLVO**  
for life



# VOLVO **WIRING DIAGRAM**

**C70 (06-)**  
FLEXIFUEL B4184S8 & D5244T8 S40 (04-)/V50

TP 3992202

**2006**

# Table of Contents 1:2

Vehicles with SRS (Airbag)/SIPS bag/	
IC (Inflatable Curtain).....	2
Abbreviations.....	5
How to use the wiring diagrams 1:2.....	6
Electrical distribution 1:2.....	8

## Fuses

Engine compartment distribution box F1-F8.....	10
Engine compartment distribution box F9-F18.....	11
Engine compartment distribution box F20-F32.....	12
Engine compartment distribution box F33-FH1 .....	13
Central Electronic Module (CEM) F43-F56.....	14
Central Electronic Module (CEM) F57-F69.....	15
Central Electronic Module (CEM) F73-F86.....	16
Battery PF1-PF2.....	17

## Relays

Ignition switch and relays.....	18
Distribution box in engine compartment R1-R14.....	19
Central Electronic Module (CEM) R15-R18.....	20
Relays - soldered.....	21

## Ground connections

Overview.....	22
31/3 - 31/10 .....	23
31/11 - 31/66 .....	24
31/67 - 31/84 .....	25
31/88 - 31/112 .....	26
31/114 - Ground connections in chassis.....	27

## Control modules

Overview of locations.....	28
Overview of designations.....	29
Central Electronic Module (CEM) 1:2 .....	30
Data communication, Low speed CAN 1:2 .....	32
Data communication, LIN 1:2 .....	34
Data communication, High speed CAN .....	36
Data communication, MOST .....	37
Start Control Module (SCU) .....	38
Accessory Electronic Module (AEM) .....	39

## Group 23 Fuel system

Engine management system, 4-cyl 1.8l 1:2.....	40
Engine management system, 5-cyl 1:2.....	42
Engine management system, 5-cyl Turbo 1:2.....	44
Engine management system 5-cyl. 2.4l diesel 1:3 .....	46
Emission control, 4-cyl 1.8l.....	49
Emission control, 5-cyl.....	50

Emission control, 5-cyl Turbo.....	51
------------------------------------	----

## Group 26 Cooling system

Cooling fan.....	52
------------------	----

## Group 27 Engine control

Cruise control, 4-cyl. 1.8L .....	53
Cruise control, 5-cyl .....	54

## Group 32 Alternator and voltage regulator

Power supply, 4-cyl.....	55
Power supply, 5-cyl.....	56

## Group 33 Starting system

Starting system, 4-cyl.....	57
Starting system, 5-cyl.....	58

## Group 35 Lighting

High and low beam .....	59
High and low beam (Bi-Xenon).....	60
Auxiliary lights .....	61
Manual beam length adjustment.....	62
Automatic beam length adjustment (Bi-Xenon) .....	63
Position/Parking lights, Tail lights .....	64
Position/Parking lights, Tail lights (Bi-Xenon) .....	65
Fog lights .....	66
Fog lights LHD, Japan .....	67
Brake lights .....	68
Reversing lights .....	69
Interior lighting 1:2 .....	70
Instrument and control illumination .....	72
Approach lighting .....	73

## Group 36 Additional electrical equipment

Direction indicators and hazard warning flashers .....	74
Direction indicators and hazard warning flashers (Bi-Xenon) .....	75
Windshield wiper/washer .....	76
Headlight washer .....	77
Rain sensor.....	78
Immobilizer/Steering column lock module (SCL) .....	79
Keyless vehicle 1:2 .....	80
Anti-theft alarm .....	82
Horn .....	83
Rear parking assistance .....	84
Front parking assistance.....	85
Accessory Electronic Module (AEM).....	86

## Table of Contents 2:2

### Group 37 Wiring and fuses

Diagnostics system.....	87
12V outlet .....	88
Tow hitch cable harness, 4-pin .....	89
Tow hitch cable harness, 7-pin .....	90
Tow hitch cable harness, 13-pin .....	91

### Group 38 Instruments

Seat belt reminder .....	92
Driver information module.....	93

### Group 39 Other

Low level audio 1:2 .....	94
Audio 1:2 .....	96
Cellular phone 1:2 .....	98
Turn by Turn navigation, low level audio .....	100
Turn by Turn navigation, Audio .....	101
Universal handsfree, low level audio .....	102
Handsfree Universal .....	103
Handsfree Max with Adapter .....	104
Handsfree Max .....	105
Multimedia & Traffic information .....	106

### Group 43 Transmission

Automatic transmission AW55-51.....	107
Transmission M66 .....	108

### Group 59 Brake system

Brake control system .....	109
Brake control system & STC.....	110
Brake control system & DSTC.....	111

### Group 64 Steering

Electronic power steering .....	112
---------------------------------	-----

### Group 83 Doors and openings

Central locking.....	113
Central locking, trunk lid/tailgate.....	114
Central locking, fuel filler flap.....	115
Central locking, storage compartment.....	116
Signal receiver, remote-control, central locking.....	117
Power windows.....	118
Power roof .....	119

### Group 84 Exterior decorative elements, etc.

Power door mirrors .....	120
Heated door mirrors.....	121
Heated rear window.....	122

### Group 85 Interior equipment

Power driver's seat with memory function, LHD .....	123
---	-----

Power driver's seat with memory function, RHD .....	124
Power passenger seat with memory function, LHD ...	125
Power passenger seat with memory function, RHD ..	126
Power driver's seat, LHD .....	127
Power driver's seat, RHD.....	128
Power passenger seat, LHD .....	129
Power passenger seat, RHD .....	130
Heated seats.....	131

### Group 87 Climate control system

Climate control system, 4-cyl. 1:2.....	132
Climate control system, 5-cyl 1:2.....	134
Climate control system 5-cyl. 2.4l diesel 1:2.....	136
Climate control system PTC element .....	138
Parking heater, auxiliary heater .....	139
Relay, electric engine heater .....	140
Electric engine heater, FlexiFuel.....	141

### Group 88 Internal equipment

Supplemental Restraint System Module (SRS) 1:2...	142
Auto-dimming rearview mirror .....	144

### Connectors..... 145

### Branching points .....170

### Cable harness routing in vehicle

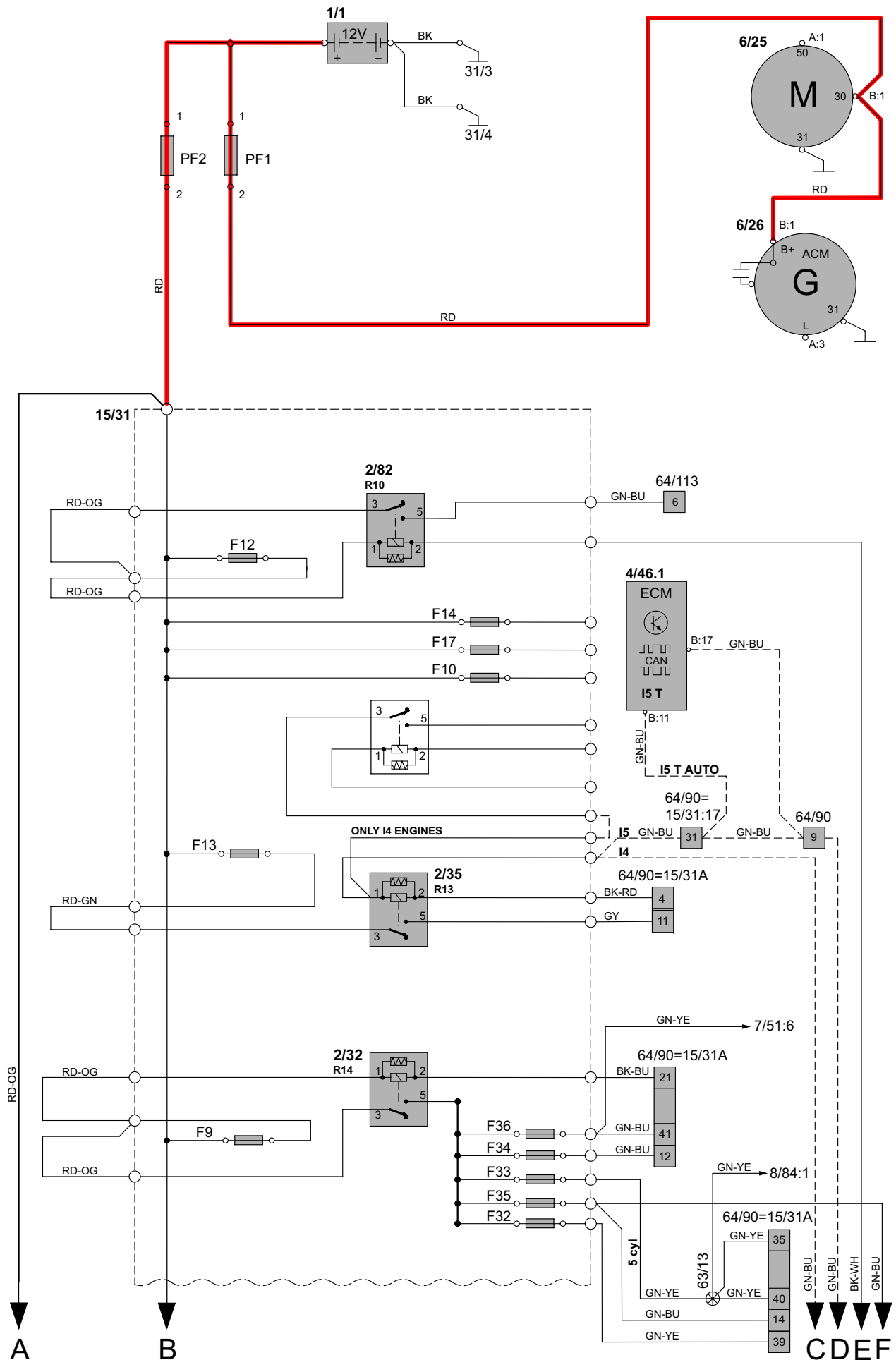
Engine harness 4-cyl. 1.8 .....	180
Engine harness 5-cyl. 2.4l.....	180
Engine harness 5-cyl. 2.5l Turbo .....	181
Engine harness 5-cyl. 2.4l diesel .....	181
Engine compartment harness, 4-cyl. ....	182
Engine compartment harness, 5-cyl. ....	182
Dashboard harness, LHD .....	183
Dashboard harness, RHD.....	183
Floor harness C70 LHD .....	184
Floor harness C70 RHD.....	185
Tunnel harness C70 .....	186
Driver's door harness C70 .....	187
Driver's door harness, addition C70.....	187
Passenger door harness C70 .....	188
Passenger door harness, addition C70.....	188
Harness, rear side panel, right C70 .....	189
Harness, rear side panel, left C70 .....	189
Trunk lid harness, C70.....	190

### Component illustrations .....191

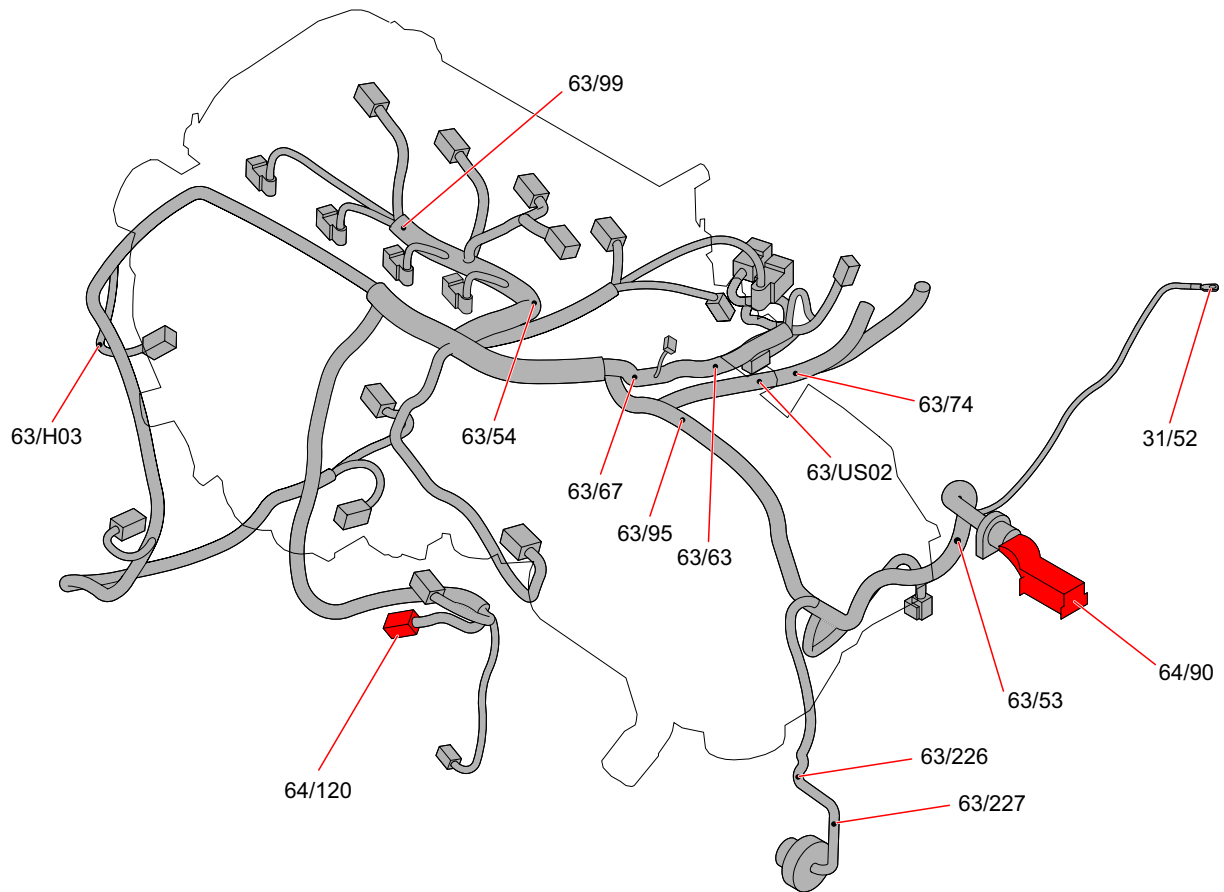
### Index 1:2 .....236

### List of components 1:5 .....238

# Electrical distribution 1:2 Overview



**Cable harness routing in vehicle**  
**Engine harness 4-cyl. 1.8**



**Cable harness routing in vehicle**  
**Engine harness 5-cyl. 2.4l**

