



VOLVO C30, S40 (04-), V50 & C70 (06-)

## **WIRING DIAGRAM 2011**



TP 39178202

# Table of Contents 1:3

Vehicles with SRS (Airbag)/SIPS bag/	
IC (Inflatable curtain) .....	2
Abbreviations .....	6
How to use the wiring diagrams 1:2.....	7
Electrical distribution 1:2.....	9

## Fuses

Engine compartment distribution box F1-F10.....	11
Distribution box in engine compartment F11-F20.....	12
Distribution box in engine compartment F21-F31.....	13
Distribution box in engine compartment F32-F34.....	14
Distribution box in engine compartment F35-FH1 .....	15
Main fuse box battery .....	16
Fuse holder midi .....	17
Central Electronic Module (CEM) F43-F48.....	18
Central Electronic Module (CEM) F49-F61.....	19
Central Electronic Module (CEM) F62-F69.....	20
Central Electronic Module (CEM) F73-F85.....	21
Central Electronic Module (CEM) F86.....	22
Battery PF1-PF2.....	23

## Relays

Ignition switch and relays.....	24
Distribution box in engine compartment R1-R14 .....	25
Engine compartment.....	26
Central electronic module (CEM) R15-R18 .....	27
Central electronic module (CEM) R1-R11B.....	28
Other relays .....	29

## Ground connections

Overview.....	30
31/3 - 31/10 cont.....	31
31/10 - 31/52 .....	32
31/66 - 31/80 .....	33
31/83 - 31/110 cont.....	34
31/110 - 31/119 .....	35
31/131 - chassis.....	36

## Control modules

Overview locations.....	37
Overview designations.....	38
Central electronic module (CEM) 1:2.....	39
Data communication, Low speed CAN 1:2.....	41
Data communication high speed CAN.....	43
Data communication MOST.....	44
Data communication, LIN 1:2 .....	45
Ignition switch (SCU) .....	47
Accessory electronic module (AEM).....	48

## Group 23 Fuel system

Engine management system, 4-Cyl. 1.6l 1:2.....	49
--	----

Engine management system, 4-Cyl. 2.0l 1:2.....	51
Engine management system, 5-Cyl. Turbo 1:2.....	53
Engine management system Diesel, 4-Cyl. 1.6l 1:2 ....	55
Engine management system Diesel, 4-Cyl. 1.6l 1:2 ....	57
Engine management system Diesel, 5-Cyl. 2.0l 1:3 ....	59
Emission control 4-Cyl. 1.6l .....	62
Emission control 4-Cyl. 2.0l .....	63
Emission control 5-Cyl. ....	64

## Group 26 Cooling system

Cooling fan.....	65
------------------	----

## Group 27 Engine controls

Cruise control 4-Cyl. ....	66
Cruise control 5-Cyl. ....	67
Start/stop function .....	68

## Group 32 Alternator and voltage regulator

Power supply 4-Cyl.....	69
Power supply 5-Cyl.....	70

## Group 33 Starting system

Starting system 4-Cyl.....	71
Starting system 5-Cyl.....	72

## Group 35 Lighting

High and low beam .....	73
Active headlights, (Dual Xenon) S40/V50.....	74
High and low beam, (Dual Xenon) C30/C70.....	75
Active headlight, (Dual Xenon) C30/C70 .....	76
Running/Parking light, Tail lights S40/V50.....	77
Running/Parking light, Tail light (Dual Xenon) S40/V50 .....	78
Running/Parking lights, Tail lights C30/C70.....	79
Running/Parking lights, Tail lights (Dual Xenon) C30/C70 .....	80
Brake lights S40/V50 .....	81
Brake lights C30/C70 .....	82
Reversing lights S40/V50.....	83
Reversing lights C30/C70 .....	84
Fog lights S40/V50 .....	85
Fog lights C30/C70 .....	86
Fog lights RHD Japan S40/V50 .....	87
Fog lights RHD Japan C30/C70.....	88
Interior lighting C30/S40/V50 1:2.....	89
Interior lighting C70 1:2.....	91
Follow-me-home lighting.....	93
Instrument and control illumination .....	94
Auxiliary lights.....	95

# Table of Contents 2:3

## Group 36 Additional electrical equipment

Direction indicator and hazard warning flashers S40/V50 .....	96
Direction indicator and hazard warning flashers (Dual Xenon) S40/V50 .....	97
Direction indicator and hazard warning flashers C30/C70 .....	98
Direction indicator and hazard warning flashers (Dual Xenon) C30/C70 .....	99
Wiper/washer windshield .....	100
Washer headlights .....	101
Wiper/washer rear window C30/V50 .....	102
Rain sensor .....	103
Parking assistance .....	104
Keyless vehicle C30/S40/V50 1:2 .....	105
Keyless vehicle C70 1:2 .....	107
Immobilizer/Steering column lock module (SCL) .....	109
Horn .....	110
Anti-theft alarm C30 .....	111
Anti-theft alarm S40/V50 .....	112
Anti-theft alarm C70 .....	113
Alcohol lock .....	114
Accessory Electronic Module (AEM) C30 .....	115
Accessory Electronic Module (AEM), S40/V50/C70 ..	116

## Group 37 Wiring and fuses

12V outlet C30/S40/V50 .....	117
12V outlet, C70 .....	118
Diagnostics system .....	119
Cable harness towbar/tow hitch 4-pin S40/V50 .....	120
Cable harness towbar/tow hitch 4-pin C30 .....	121
Cable harness towbar/tow hitch 7-pin S40/V50 .....	122
Cable harness towbar/tow hitch 7-pin C30/C70 .....	123
Cable harness towbar/tow hitch 13-pin S40/V50/C70 ..	124
Cable harness towbar/tow hitch 13-pin C30 .....	125
Accessory USB unit (AUU) .....	126

## Group 38 Instruments

Driver information module .....	127
Seat belt reminder C30/S40/V50 .....	128
Seat belt reminder C70 .....	129

## Group 39 Other

Audio C30/S40/V50 .....	130
Alternative connection audio S40/V50 .....	131
Audio C70 .....	132
Audio High Performance/Premium Sound C30/S40/V50 1:2 .....	133
Audio High Performance/Premium Sound C70 1:2 ...	135

Cellular phone 1:2 .....	137
Multimedia & Traffic information .....	139
Satellite radio .....	140
Navigation system, portable .....	141
Bluetooth .....	142
Bluetooth Handsfree, internal amplifier .....	143
Bluetooth Handsfree, external amplifier .....	144
Bluetooth Handsfree & AUU, internal amplifier .....	145
Bluetooth Handsfree & AUU, external amplifier .....	146
Bluetooth Handsfree with AEM, internal amplifier, LHD .....	147
Bluetooth Handsfree with AEM, internal amplifier, RHD .....	148
Bluetooth Handsfree with AEM, external amplifier, LHD .....	149
Bluetooth Handsfree with AEM, external amplifier, RHD .....	150

## Group 43 Transmission

Automatic transmission AW55-51 .....	151
Automatic transmission AWF21 .....	152
Transmission M66 .....	153
Automatic transmission MPS6 .....	154

## Group 59 Brake system

Brake control system & STC .....	155
Brake control system & DSTC .....	156

## Group 64 Steering

Speed dependent power steering .....	157
--------------------------------------	-----

## Group 83 Doors and openings

Central locking front doors C30/S40/V50 .....	158
Central locking rear doors S40/V50 .....	159
Central locking C70 .....	160
Central locking trunk lid/tailgate C30 .....	161
Central locking trunk lid/tailgate S40/V50 .....	162
Central locking trunk lid/tailgate C70 .....	163
Central locking storage compartment C70 .....	164
Child safety lock S40/V50 .....	165
Central locking fuel filler flap .....	166
Signal receiver central locking C30/S40/V50 .....	167
Signal receiver central locking C70 .....	168
Power windows front doors C30/S40/V50 .....	169
Power windows C70 .....	170
Power windows rear doors S40/V50 .....	171
Power sunroof C30/S40/V50 .....	172
Power roof C70 .....	173

# Table of Contents 3:3

## Group 84 Exterior decorative elements, etc.

Power door mirrors C30/S40/V50.....	174
Power door mirrors C70.....	175
Heated door mirrors.....	176
Heated rear window.....	177
Blind spot information system.....	178

## Group 85 Interior equipment

Power driver's seat with memory function LHD S40/V50.....	179
Power driver's seat with memory function RHD S40/V50.....	180
Power driver's seat with memory function LHD C30/C70.....	181
Power driver's seat with memory function RHD C30/C70.....	182
Power passenger seat with memory function LHD C30/C70.....	183
Power passenger seat with memory function RHD C30/C70.....	184
Power driver's seat LHD S40/V50.....	185
Power driver's seat RHD S40/V50.....	186
Power passenger seat LHD S40/V50.....	187
Power passenger seat RHD S40/V50.....	188
Heated seats.....	189

## Group 87 Climate control system

Climate control system PTC-elements.....	190
Climate control system, 4-Cyl. Gasoline 1:2.....	191
Climate control system, Diesel 1.6l 1:2.....	193
Climate control system, 5-Cyl. 1:2.....	195
Parking heater, auxiliary heater.....	197
Relay, electric engine heater.....	198
Electric engine heater Flexifuel.....	199

## Group 88 Internal equipment

Rear-view mirror with automatic dimming.....	200
Supplemental restraint system C30/S40/V50 1:2.....	201
Supplemental restraint system C70 1:2.....	203
Remote control garage opening.....	205

<b>Connectors .....</b>	<b>206</b>
-------------------------	------------

<b>Branching points .....</b>	<b>246</b>
-------------------------------	------------

## Cable harness routing in vehicle

Engine harness, Gasoline 4-Cyl.1.6.....	258
Engine harness, Gasoline 4-Cyl.2.0.....	258
Engine harness, gasoline 5-Cyl. Turbo.....	259
Engine harness, Diesel 1.6l.....	259
Engine harness, Diesel 1.6l.....	260
Harness engine, Diesel 2.0l.....	260
Engine compartment harness, 4-Cyl.....	261
Engine compartment harness, 5-Cyl.....	261
Harness dashboard, LHD.....	262
Harness Dashboard, RHD.....	262
Floor harness, C30 LHD.....	263
Floor harness, C30 RHD.....	264
Floor harness, S40 LHD.....	265
Floor harness, S40 RHD.....	266
Floor harness, V50 LHD.....	267
Floor harness, V50 RHD.....	268
Floor harness, C70 LHD.....	269
Floor harness, C70 RHD.....	270
Roof harness, C30.....	271
Roof harness, S40.....	271
Roof harness, V50.....	272
Roof harness, C70.....	272
Tunnel harness, C30/S40/V50.....	273
Tunnel harness, C70.....	273
Driver's door harness, C30.....	274
Passenger door harness, C30.....	274
Driver's door harness, S40/V50.....	275
Passenger door harness, S40/V50.....	275
Driver's door harness, C70.....	276
Driver's door harness supplement, C70.....	276
Passenger door harness, C70.....	277
Passenger door harness supplement, C70.....	277
Harness rear door, right S40/V50.....	278
Harness rear door, left S40/V50.....	278
Rear side panel harness, left C70.....	279
Rear side panel harness, right C70.....	279
Trunk lid/tailgate harness, C30.....	280
Trunk lid/tailgate harness, S40.....	280
Trunk lid/tailgate harness, V50.....	281
Trunk lid/tailgate harness, C70.....	281

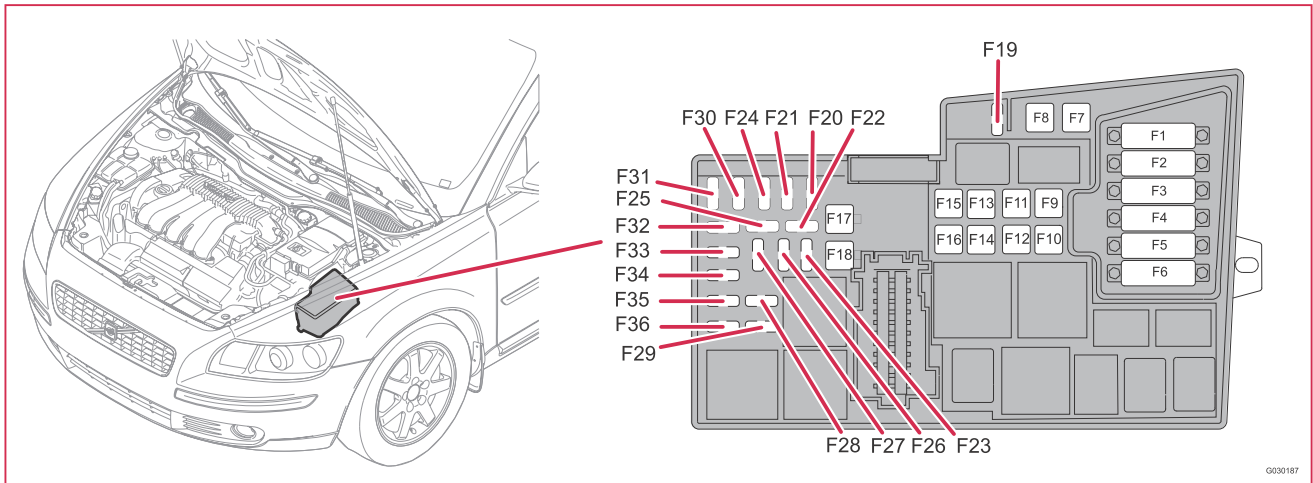
<b>Component illustrations .....</b>	<b>282</b>
--------------------------------------	------------

<b>Index 1:2 .....</b>	<b>340</b>
------------------------	------------

<b>List of components 1:7 .....</b>	<b>342</b>
-------------------------------------	------------

# Fuses

## Distribution box in engine compartment F32-F34

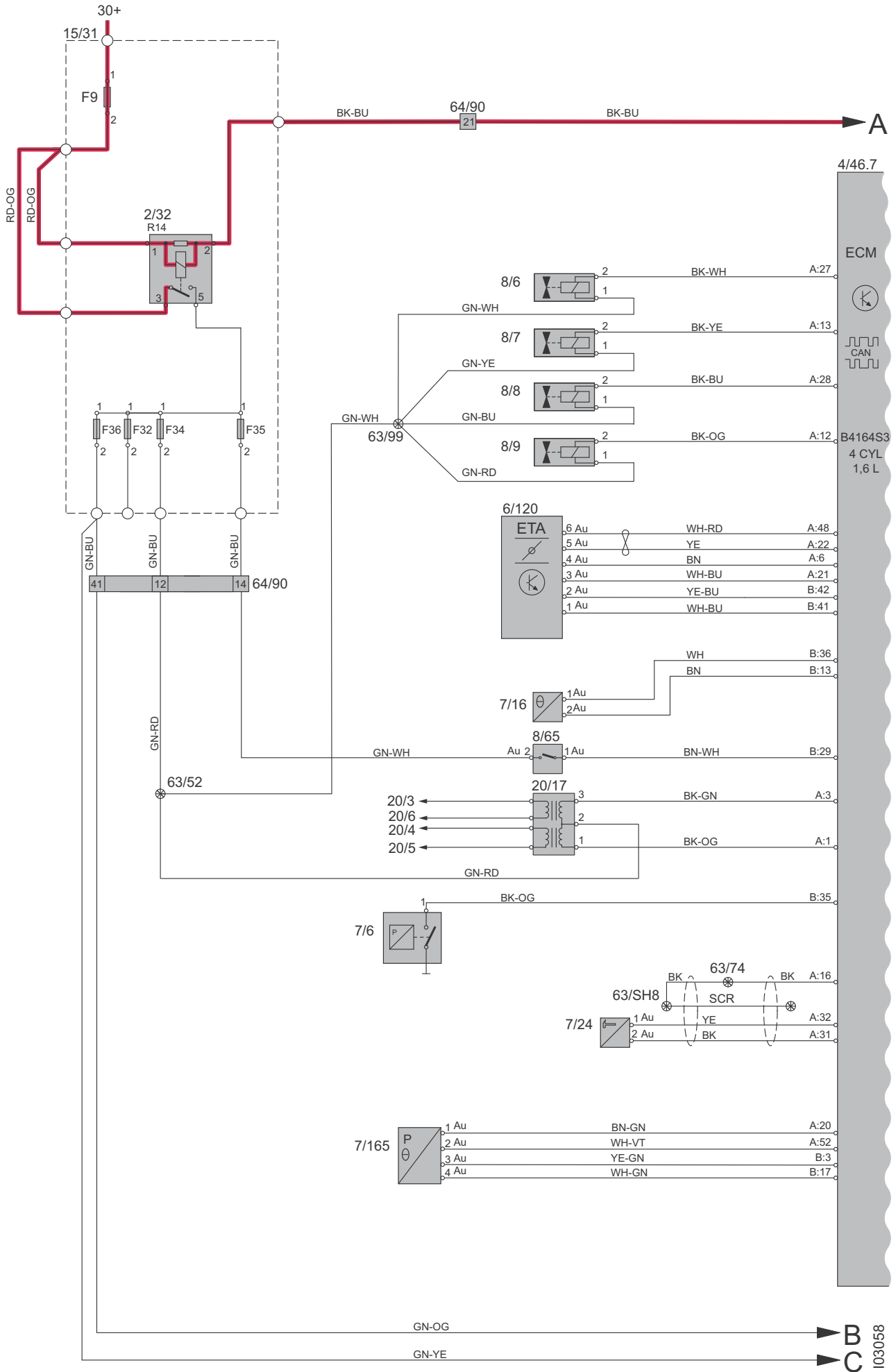


## 15/31 Distribution box in engine compartment

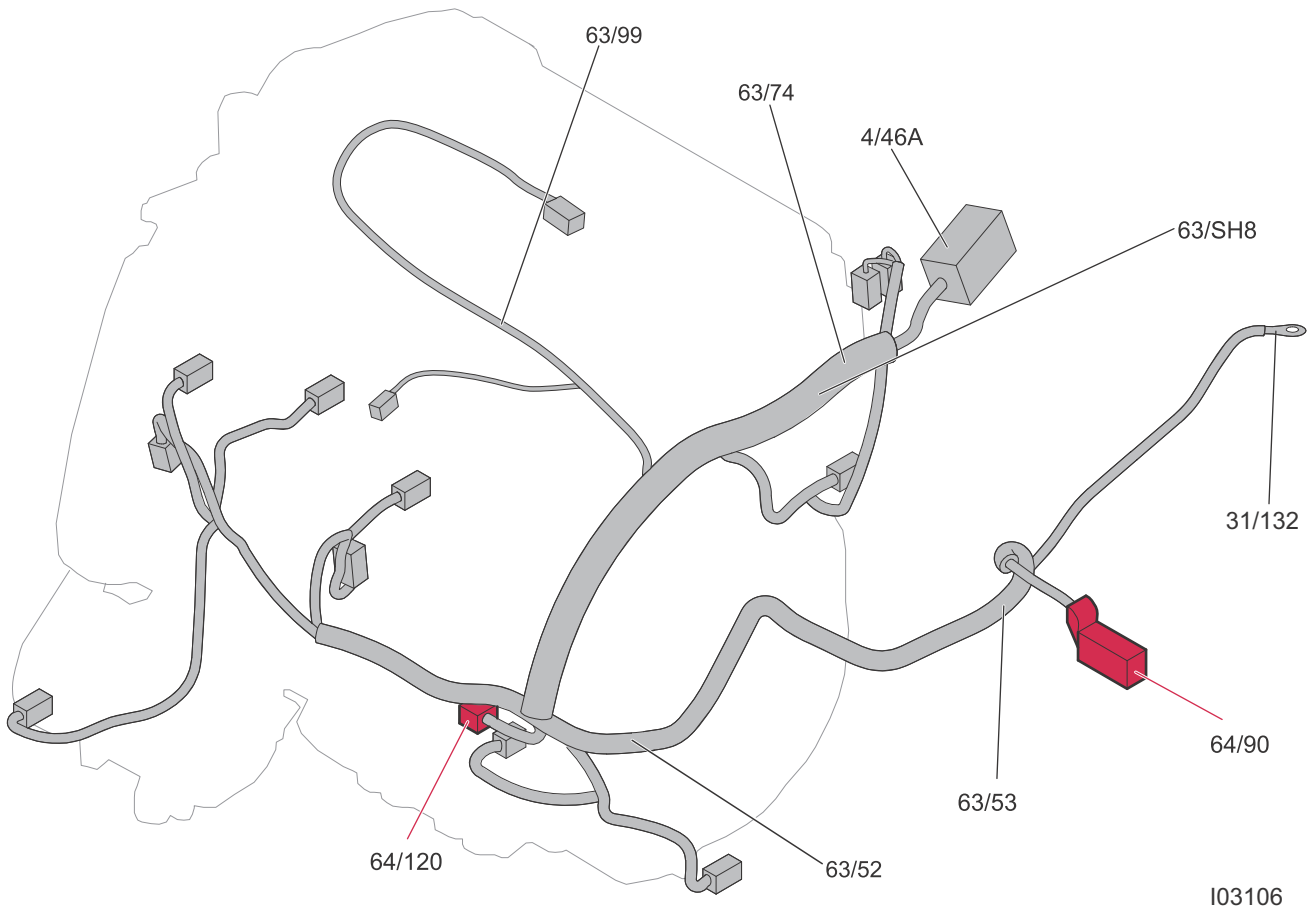
No.	Fuse function	via	A
F32	2/14 Relay, glow plug system 6/143 Regulator motor, Turbo 7/15 Front heated oxygen sensor, 4-Cyl. 7/17 Mass air flow sensor (MAF), 5-Cyl. Diesel 7/82 Rear heated oxygen sensor, 4-Cyl. 8/6-8/10 Injection valves, 5-Cyl. 8/11 Control valve fuel flow 8/122 Bypass valve, intercooler, 1.6l Diesel	- - - - - - - -	10
F33	2/133 Relay vacuum pump 4/46 Engine Control Module (ECM), 5-Cyl. Diesel 6/114 Vacuum pump, 5-Cyl. 7/15 Front heated oxygen sensor, 5-Cyl. 7/82 Rear heated oxygen sensor, 5-Cyl. Turbo 8/84 Switch, vacuum pump 9/38 Heated fuel filter, 4-Cyl. Diesel	- - 2/133 - - - -	20
F34	2/35 Relay starter motor, 1.6l Diesel 2/242 Battery relay, 1.6l Diesel 2/243 Secondary battery relay, 1.6l Diesel 2/239 Relay coolant pump, 1.6l Diesel 4/46 Engine control module (ECM), 1.6l Diesel 4/109 Glow plug control module (GCU), 5-Cyl. 7/15 Front heated oxygen sensor 4-Cyl. 8/6-8/9 Injection valves, 1.6l. 8/111 Fuel flow control valve, 1.6l Diesel 8/119 Pressure monitor, climate control system, 5-Cyl. 8/120 EGR valve, 5-Cyl. Diesel 8/133 Control valve fuel pressure 20/3 -20/7 Spark plug and ignition coil 20/17 Transformer, ignition coils, 1.6l.	2/247 - - - 2/247 - - - - - - - - -	10
continues			

# Group 23 Fuel system

## Engine management system, 4-Cyl. 1.6l 1:2



**Cable harness routing in vehicle  
Engine harness, Gasoline 4-Cyl.1.6**



**Cable harness routing in vehicle  
Engine harness, Gasoline 4-Cyl.2.0**

