



**Volvo V70**  
(1996-2000)



**Wiring diagrams and Electric 1996-2000**

# Contents

Abbreviations .....	3	Parking lights, tail lights and number plate lighting	
How to use the wiring diagram .....	4	C70 .....	154
Fuses .....	6	S70 .....	156
Relays .....	10	V70 .....	158
Electrical distribution		Brake light	
Denso, ME7 .....	12	C70 .....	160
MSA 15.8 .....	14	S70 .....	162
Data communication .....	16	V70 .....	164
Rails in electrical distribution unit .....	18	Reversing light .....	166
Ignition lock .....	18	Interior lighting	
Cable harness routing in vehicle .....	19	C70 Cabriolet .....	168
Connectors .....	30	C70 Coupé .....	170
Ground connections .....	76	S70, V70 .....	172
Junction points .....	88	Instrument and control lighting .....	174
<b>Group 23/28</b>		<b>Group 36</b>	
Engine control system		Direction indicators and hazard warning flashers	
Denso .....	112	C70 .....	176
ME7 .....	116	S70 .....	178
MSA 15.8 .....	120	V70 .....	180
Bifuel .....	124	Horn .....	182
Emission control		Cleaning system	
Denso .....	128	Windscreen .....	184
ME7 .....	130	Headlights .....	184
Gas level indication .....	132	Rear window .....	186
 		Cigarette lighter/12V outlet .....	188
<b>Group 26</b>		Anti-theft alarm	
Electric cooling fan		C70 Cabriolet .....	190
Denso .....	134	C70 Coupé .....	192
ME7 .....	136	S70, V70 .....	194
MSA 15.8 .....	138	Electronic starter inhibitor	
 		Denso, ME7 .....	196
<b>Group 27</b>		MSA 15.8 .....	198
Cruise control		 	
Denso, ME7 .....	140	<b>Group 37</b>	
MSA 15.8 .....	142	Diagnostics	
 		Denso, ME7 .....	200
<b>Group 32/33</b>		MSA 15.8 .....	202
Power supply and starter system .....	144	Towing hook wiring	
 		C70 Coupé .....	204
<b>Group 35</b>		Accessory wiring .....	206
Main beam and dipped headlamp .....	146	Cooler box wiring .....	208
Beam adjustment .....	148	 	
Fog light		<b>Group 38</b>	
C70 .....	150	Seat-belt reminder .....	210
S70, V70 .....	152	Seat-belt reminder and key warning .....	212
		Combination instrument .....	214

Continued on next page.

Order number TP3943032  
Replaces earlier manual TP3943031

Volvo reserves the right to make any amendments to the information contained herein.

# Contents

## Group 39

Radio	
C70 Cabriolet .....	220
C70 Coupé .....	222
S70 .....	224
V70 .....	226
Radio with 4x50W extra amplifier	
S70 .....	228
V70 .....	230
Road Traffic Information RTI	
C70, Early design .....	232
S70/V70, Early design .....	234
C70, Late design .....	236
S70/V70, Late design .....	238

## Group 43

Electronically controlled automatic gearbox	
AW 50-42 / AW42AWD .....	240
AW 55-50SN / AW50AWD .....	242
P position lock for automatic gearbox .....	244

## Group 59

ABS brake system and TRACS .....	246
----------------------------------	-----

## Group 83

Central locking	
C70 Cabriolet .....	248
C70 Coupé .....	252
S70 .....	256
V70 .....	260
Hood operation .....	264
Electric windows	
C70 Cabriolet .....	268
C70 Coupé .....	270
S70, V70 .....	272
Electrically operated sunroof .....	274

## Group 84

Electrically heated rear window and electrically heated rear view mirrors	
C70 Cabriolet .....	276
C70 Coupé, S70, V70 .....	278
Electrically operated rear view mirrors .....	280
Electrically folding rear view mirrors	
C70 Cabriolet .....	282
C70 Coupé, S70, V70 .....	284

## Group 85

Electrically heated seats .....	286
Electrically heated rear seat .....	288
Electrically operated seats	
with memory .....	290
without memory .....	292

## Group 87

Standard heater .....	294
Manual climate control MCC	
Denso, ME7 .....	296
MSA 15.8 .....	298
Electronic climate control ECC	
Denso, ME7 .....	300
MSA 15.8 .....	302
Auxiliary heater 912-D .....	304
Luggage compartment fans .....	306

## Group 88

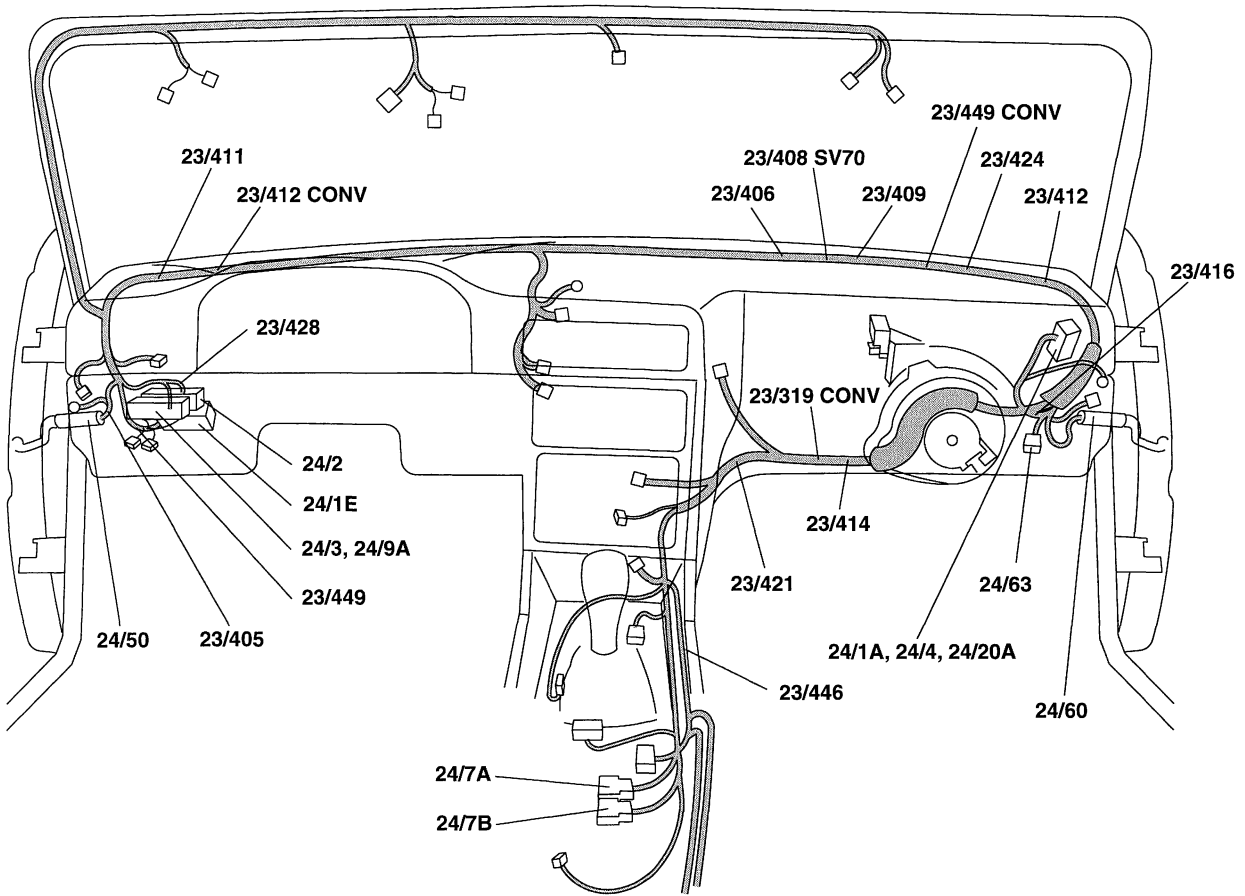
Roll Over Protection System ROPS .....	308
Supplemental Restraint System SRS .....	310
Garage opening remote control .....	312
Inner rear view mirror with automatic dimmer	
C70 Cabriolet .....	314
C70 Coupé .....	316

List of components (fold-out sheet). at back of manual

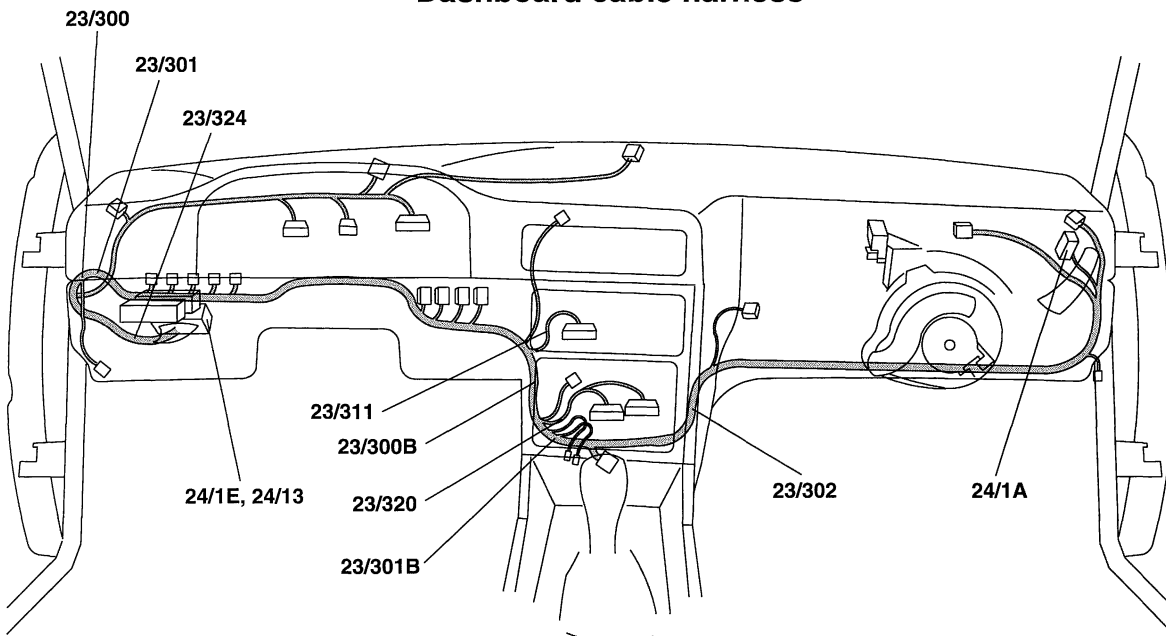


# Cable harness routing in vehicle

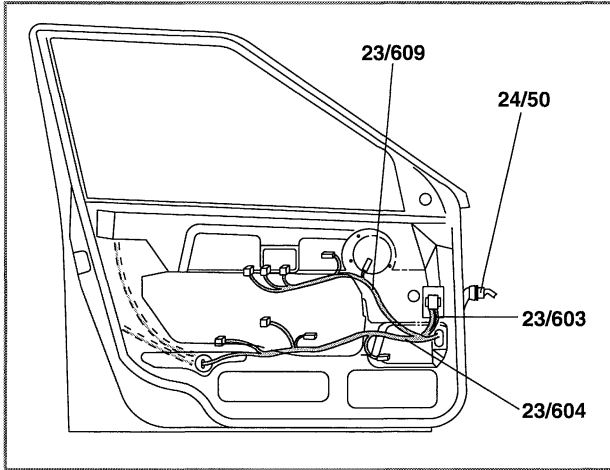
## Bulkhead cable harness



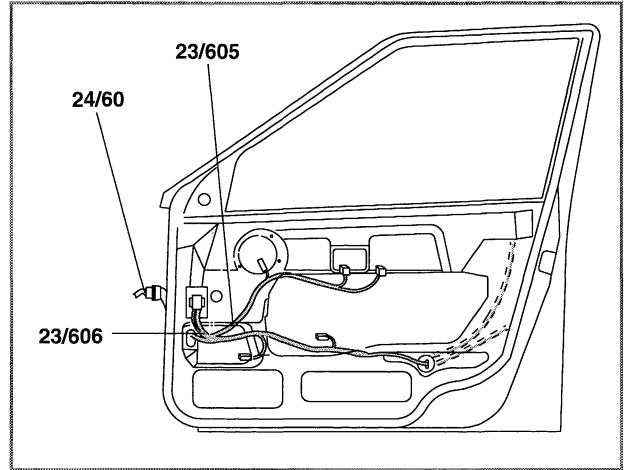
## Dashboard cable harness



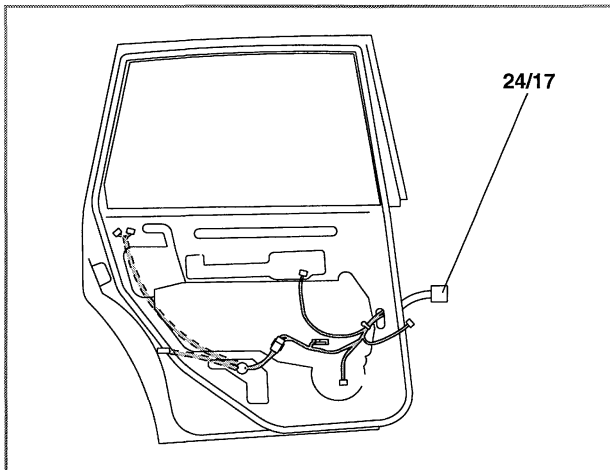
# Cable harness routing in vehicle



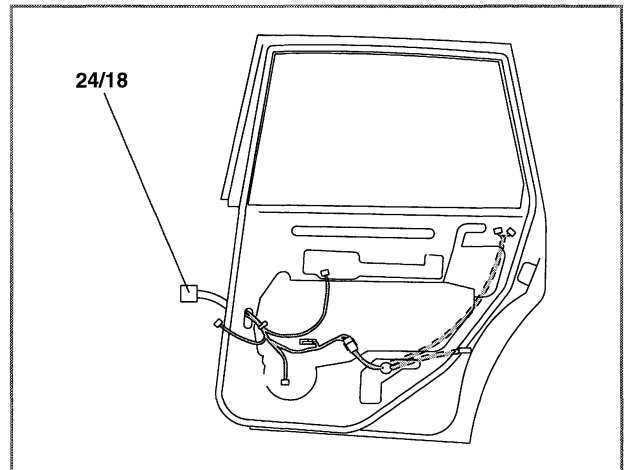
**Driver-door cable harness**



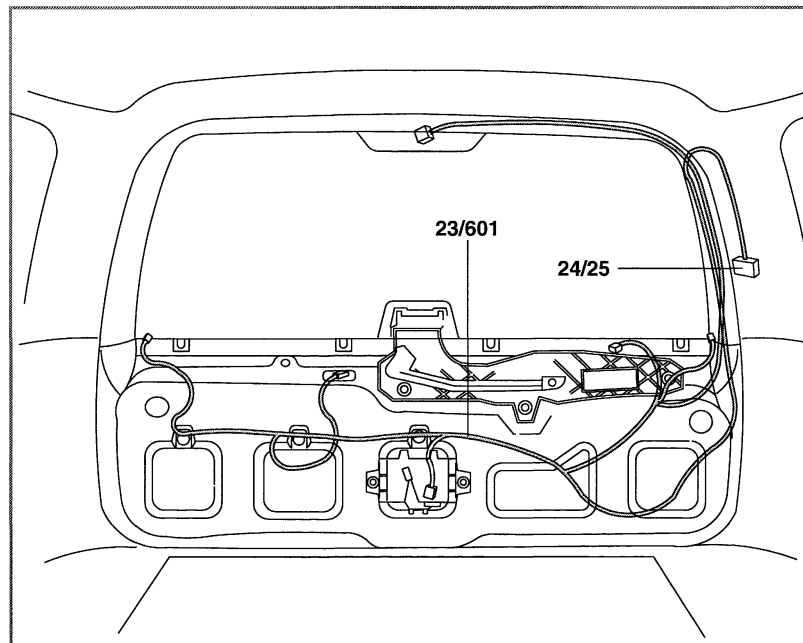
**Passenger-door cable harness**



**LH rear-door cable harness**



**RH rear-door cable harness**



**Boot-lid cable harness**